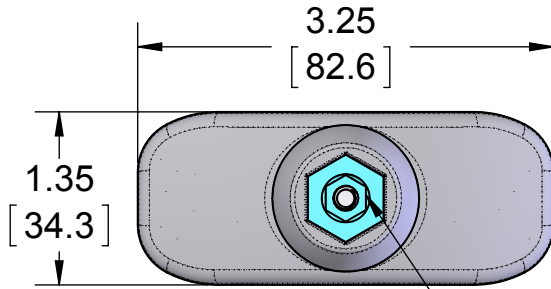
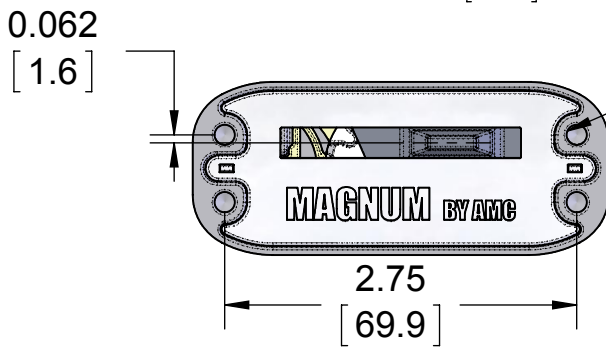
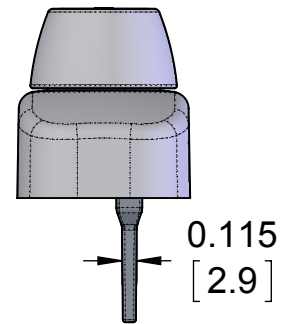
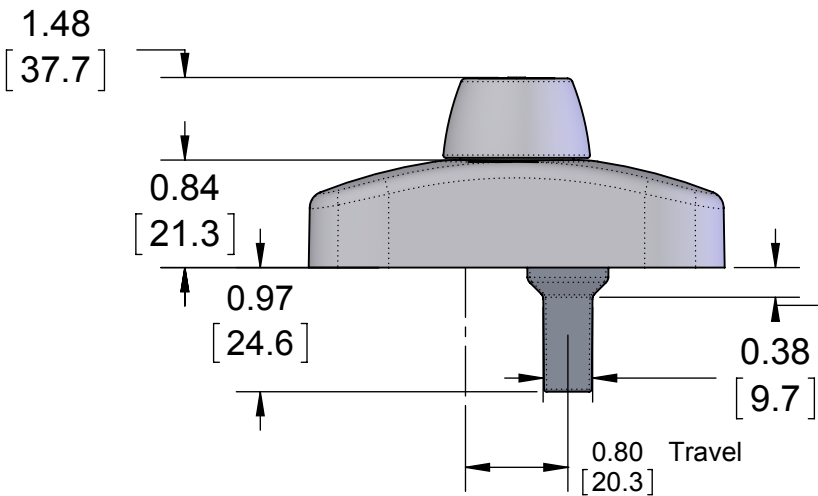
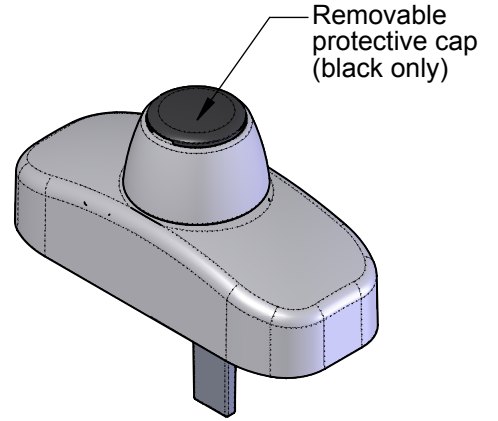


Maintenance "Euro" Handle Post Drive



(With cap removed)
Uses 5/16" or 8mm security
hex key.



Threaded for #10-32
machine screws.

FINISH OPTIONS

PART #	FINISH
1251-BLK	Black Powder Coat
1251-WT	White Powder Coat
1251-SC	Satin Chrome Plating
1251-SN	Satin Nickel Plating
ACCESSORIES	
1451	Wrench

1250 & 1251 Sales, Custodial "Euro" Handle Post Drive