

A revolutionary advancement on the INTERLOCK PRO-Latch design, TRU-Latch features an innovative trigger mechanism, making it an excellent solution for double-hung windows.

Featuring a sensitive trigger mechanism designed to activate with very little force, the TRU-Latch automatic sash lock minimizes upper sash drag and provides true indication to the homeowner for maximum security and performance. With flexibility and aesthetics in mind, the TRU-Latch mechanism is designed to fit the complete line of styling and cover options available for PRO-Latch.

Features

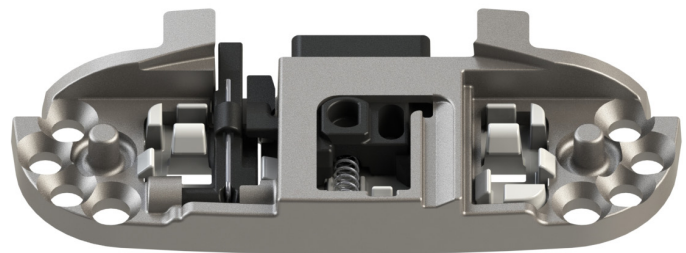
- Patent-pending trigger mechanism specifically designed for double-hung window applications
- True indication with visual detent for maximum security
- Multiple fixing locations available
- Hurricane rated in impact-certified applications
- Robust dual hooks for superior FER resistance
- Surface mounted or recessed into profile
- Patented cover designs

Specifications

- ± 2.032 mm (0.080") of misalignment tolerance in all directions
- ± 2.032 mm (0.080") – ± 4.064 mm (0.160") of lateral adjustment depending on keeper design
- Passes all required FER testing requirements for sliding and hung windows
- Designed for Dade County impact window applications
- Has exceeded 145 kg (320 lbs) per lock in a pull test
- Endurance tested to 36,000 operating cycles
- Minimum 1,000 hours Neutral Salt Spray resistance

Materials & Finishes

- Chassis is die cast Zinc Alloy 3 with Interlock's proprietary pre-treatment process
- Polymer components are UV stabilized composite
- Stainless steel springs
- Composite covers available in a variety of colors to match profile
- Metal covers available in several powdercoated and architectural finishes
- Custom colors and finishes available (*minimum order quantities and matching process required*)



Sash Lock Covers

From concealed screws to flush mount or an indicator option, every cover has a unique purpose and is designed to meet the highest standard in security, sophistication and performance. Private label options and custom solutions are available for increased visibility and differentiation.

Features

- Removable snap-on covers
- Available in composite or metal options
- Economical private labeling or proprietary covers available
- Patented cover designs



Concealed Screws Cover

With a classic aesthetic design to complement any window, this cover is supplied separately from the mechanism in order to conceal the screws and achieve a sleek, sophisticated look.



Indicator Cover

The bright red indicator strip on the cover allows the homeowner to easily identify from across the room if the latch has not been triggered, providing optimal security and peace of mind.



Slim Line Cover

A clean, sophisticated aesthetic design to enhance the look of any window, this cover is supplied separate from the TRU-Latch mechanism and is available in composite or zinc.



Flush Mount Cover

This cover allows the mechanism to be recessed into the profile for a flush fit application, providing unobtrusive sightlines and maximum egress opening. Button supplied separately and easily snaps on to conceal screws after installation. Available in composite.

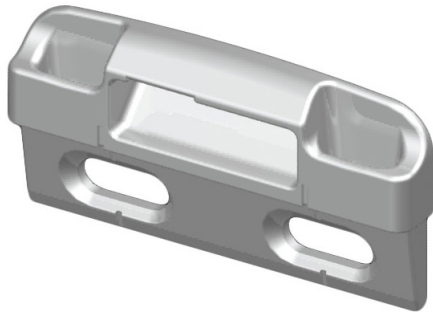


ADA Cover

The classic aesthetic design of our Concealed Screws Cover, with an adjustable pull cord to disengage the lock. Designed for easy operation and ADA compliance.

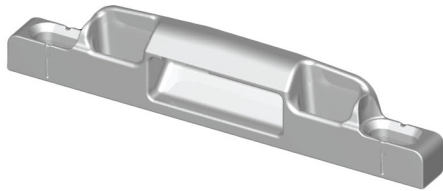
Striker Options

We offer several different striker designs, the most common listed below. We will specify each striker to offer optimum performance and perfect fit for every application. Available in powdercoated zinc.



Face Fixed Striker

Mounted on a vertical wall on the profile



Surface Fixed Striker

Mounted on a horizontal wall on the profile

Upper Vent Latch

The upper vent latch can be used to prevent upper sash sagging or as an accessory to an automatic sash lock in double-hung windows.

Features

- Helps keep upper sash closed when balances wear out
- Allows consistent automatic locking in double-hung windows
- Simple latching design is easy to operate and automatically latches when upper sash is pushed up
- Increases window balance lifetime

