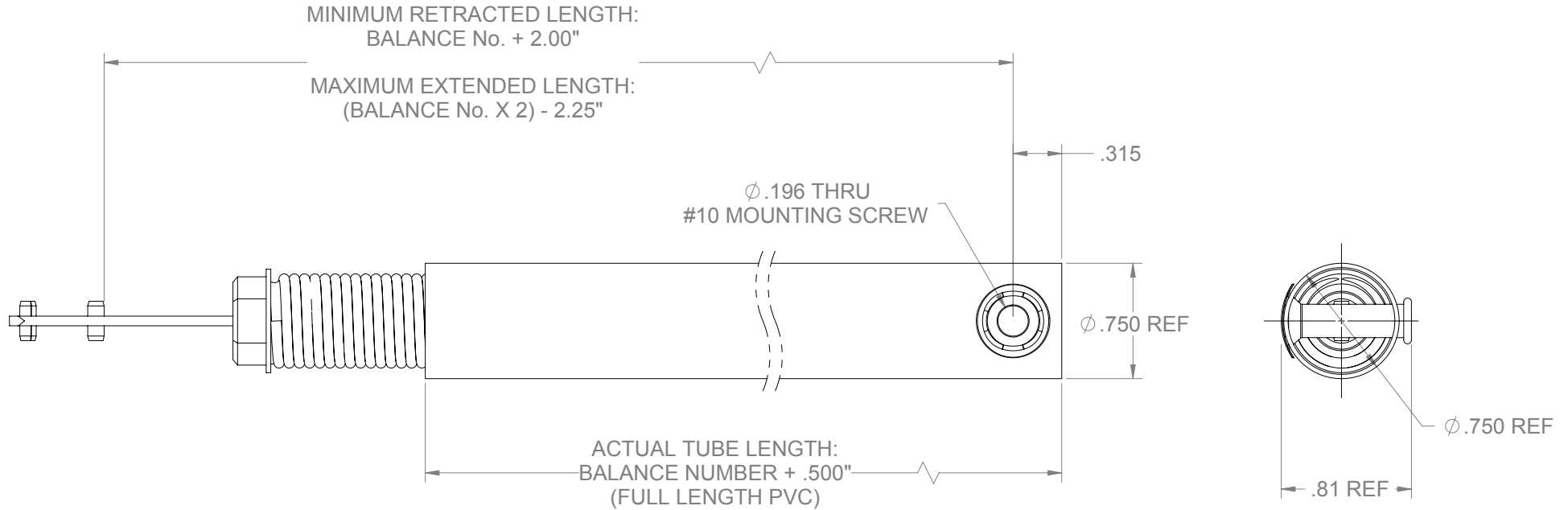


REVISIONS			
REV.#	DESCRIPTION	DATE	APVD.



RECOMMENDED APPLICATION RANGES

THE VALUES SHOWN CONTAIN A DEGREE OF
BALANCE TRAVEL PROTECTION. THEY ARE APPROPRIATE
FOR USE IN COMMERCIAL WINDOW APPLICATIONS.

MATERIAL/TREATMENT/FINISH:

NOTE: DO NOT SCALE DRAWING!
UNLESS OTHERWISE SPECIFIED
ALL TOLERANCES ARE AS FOLLOWS:
INCHES

TWO DECIMAL PLACES	± .010
THREE DECIMAL PLACES	± .005
ANGULAR	± 1°
FRACTIONS	± 1/64

DIMENSION IDENTIFICATION SYMBOLS

- ⊞ = LOW / MEDIUM CRITICALITY
- ⊞^{CTF} = CRITICAL TO FUNCTION
- ⊞^{CTP} = CRITICAL TO PROCESS
- ⊞^{SPC} = STATISTICAL PROCESS CONTROL

LAST # USED = **XX**

THIS IS THE PROPERTY OF
CALDWELL MFG. CO.
ANY USE OR REPRODUCTION
WITHOUT AUTHORIZATION BY
THIS COMPANY IS PROHIBITED.

Solutions That Set New Standards
CALDWELL
Since 1888

Manufacturing Company 2605 Manitou Road, Rochester, New York

TITLE: (ULTRA-LIFT EXTREME)
ULX TRAVEL CHARACTERISTICS

THIRD ANGLE PROJECTION	DRAWN	EMR	DATE 12/01/14
	CHECKED		DATE
	APPROVED	EMR	DATE 12/01/14
A	EX NO	DWG NO	REV
SIZE		SL-14-102	0
SCALE 1:8		SHEET 1 OF 1	