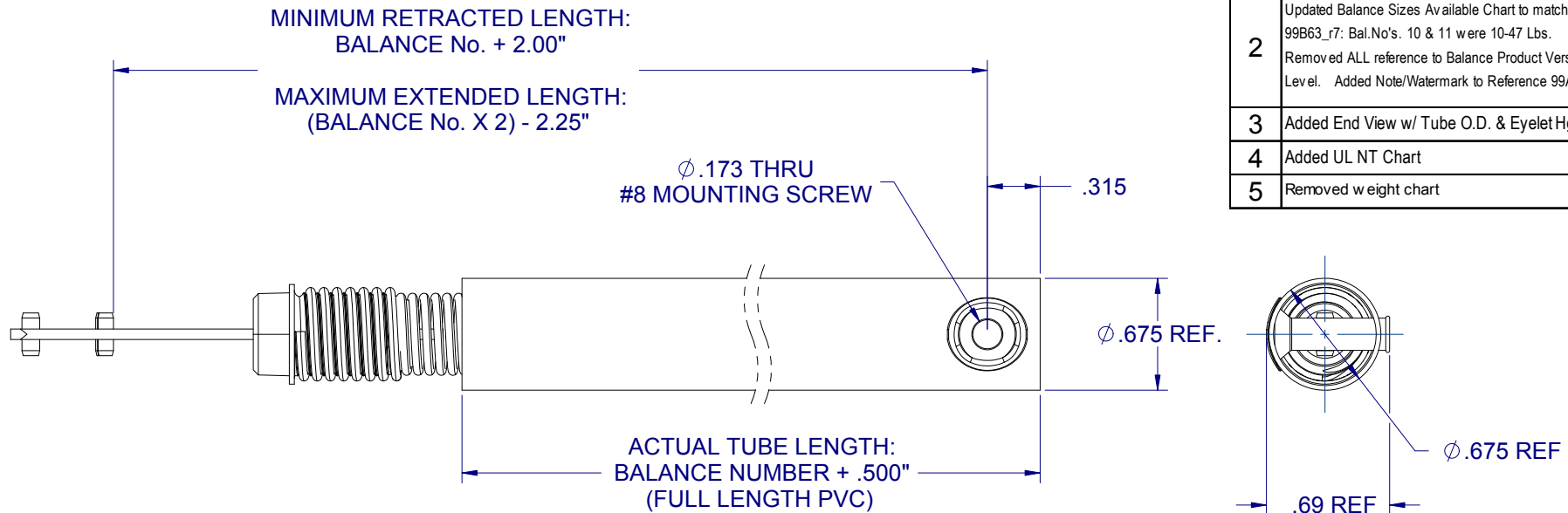


REVISIONS			
REV.#	DESCRIPTION	DATE	APVD.
1	Redrawn in Solidworks. Revised for UL5 Balance and recommended application ranges.	12/6/05	RML
2	Updated Balance Sizes Available Chart to match 99B63_r7: Bal.No's. 10 & 11 were 10-47 Lbs. Removed ALL reference to Balance Product Version Level. Added Note/Watermark to Reference 99A84.	10/24/07	ASJ
3	Added End View w/ Tube O.D. & Eyelet Hgt	11/18/09	ASJ
4	Added UL NT Chart	11.15.11	TJH
5	Removed weight chart	5/30/12	MBT



***RECOMMENDED
APPLICATION RANGES***

THE VALUES SHOWN CONTAIN A DEGREE OF
BALANCE TRAVEL PROTECTION. THEY ARE APPROPRIATE
FOR USE IN COMMERCIAL WINDOW APPLICATIONS.

MATERIAL/TREATMENT/FINISH:

NOTE: DO NOT SCALE DRAWING!
UNLESS OTHERWISE SPECIFIED
ALL TOLERANCES ARE AS FOLLOWS:
INCHES

TWO DECIMAL PLACES	± .010
THREE DECIMAL PLACES	± .005
ANGULAR	± 1°
FRACTIONS	± 1/64

DIMENSION IDENTIFICATION SYMBOLS

- ⊠ = LOW / MEDIUM CRITICALITY
- ⊠^{CTF} = CRITICAL TO FUNCTION
- ⊠^{CTP} = CRITICAL TO PROCESS
- ⊠^{SPC} = STATISTICAL PROCESS CONTROL

LAST # USED = **XX**

THIS IS THE PROPERTY OF
CALDWELL MFG. CO.
ANY USE OR REPRODUCTION
WITHOUT AUTHORIZATION BY
THIS COMPANY IS PROHIBITED.

Solutions That Set New Standards
CALDWELL
Since 1888

Manufacturing Company 2605 Manitou Road, Rochester, New York
TITLE (ULTRA-LIFT)

UL & ULNT TRAVEL CHARACTERISTICS

THIRD ANGLE PROJECTION	DRAWN RML	DATE 12/06/05
	CHECKED	DATE
APPROVED ASJ	DATE 06/06/12	
EX NO	DWG NO	REV
SIZE	SL-14A-044	5
SCALE 1:4	SHEET 1 OF 1	