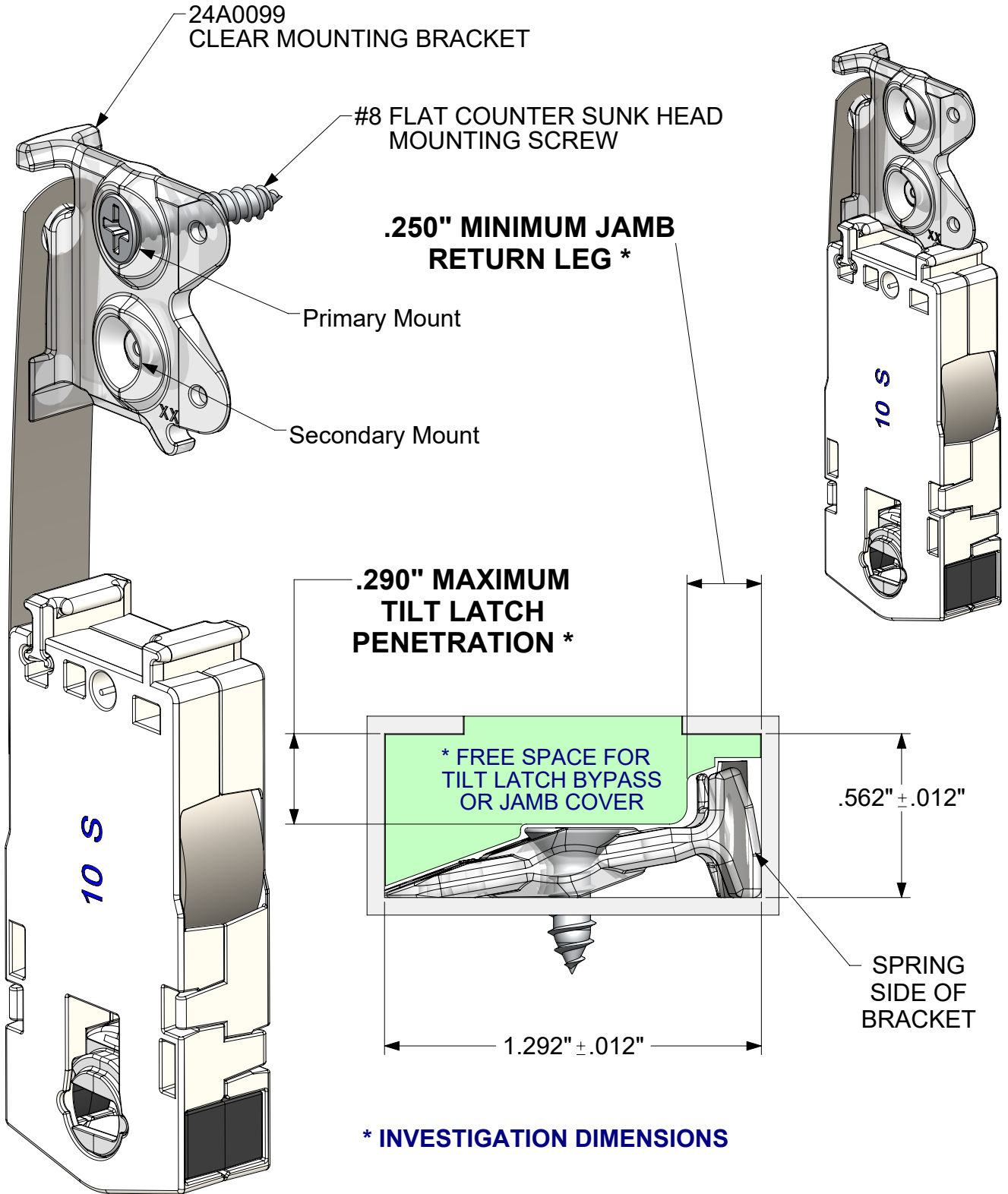




ROLLER TILT[®] SIDE LOCK 562
(24A0099) Mounting Bracket

Design Recommendations
For .562" x 1.292"
Jamb Pocket



Contact Caldwell for balance selection assistance.

CSL-00088 RT562 Side Lock - A0099 Design Remds Sht. 1 of 1 03/31/21