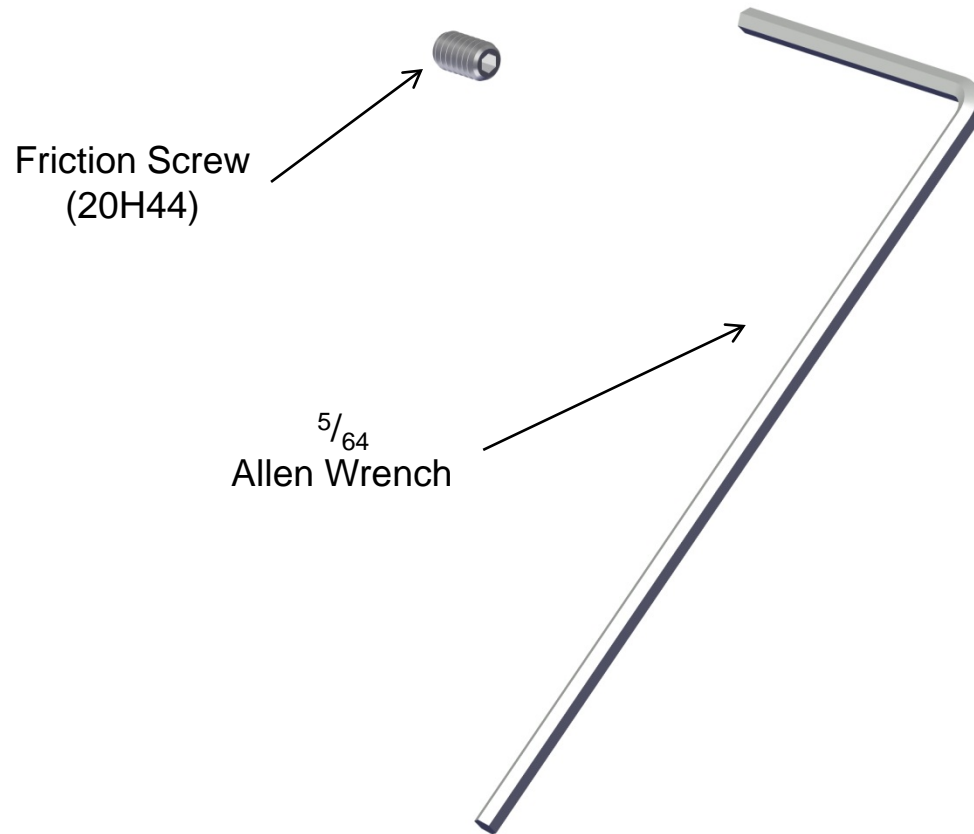


ROLLER TILT[®] 562 Service Instruction

Friction Screw Installation and Adjustment



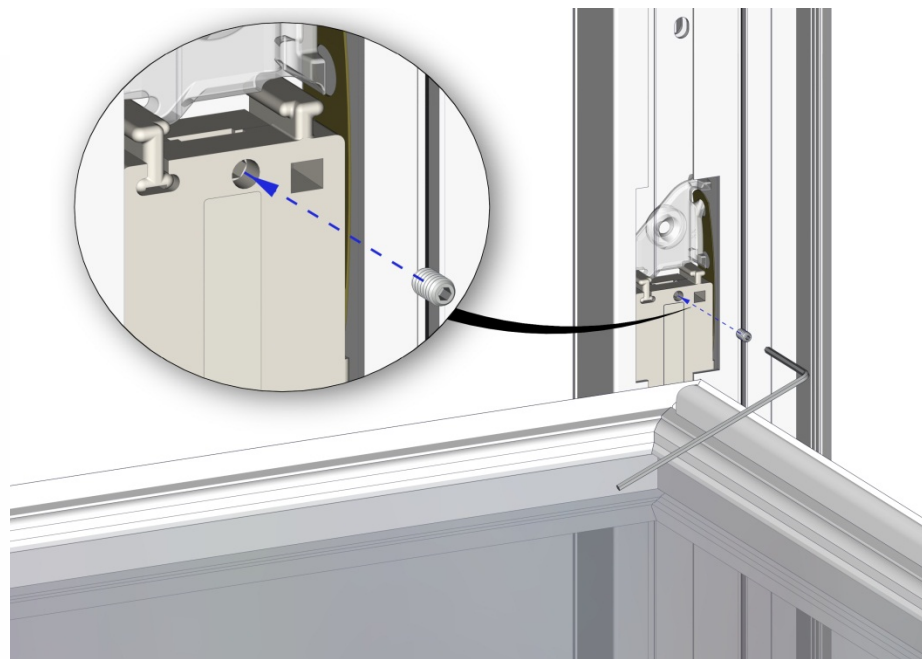
ROLLER TILT[®] 562 Service Instruction

Friction Screw Installation and Adjustment



Step 1:

Tilt the sash inward to expose the balance locking assembly.

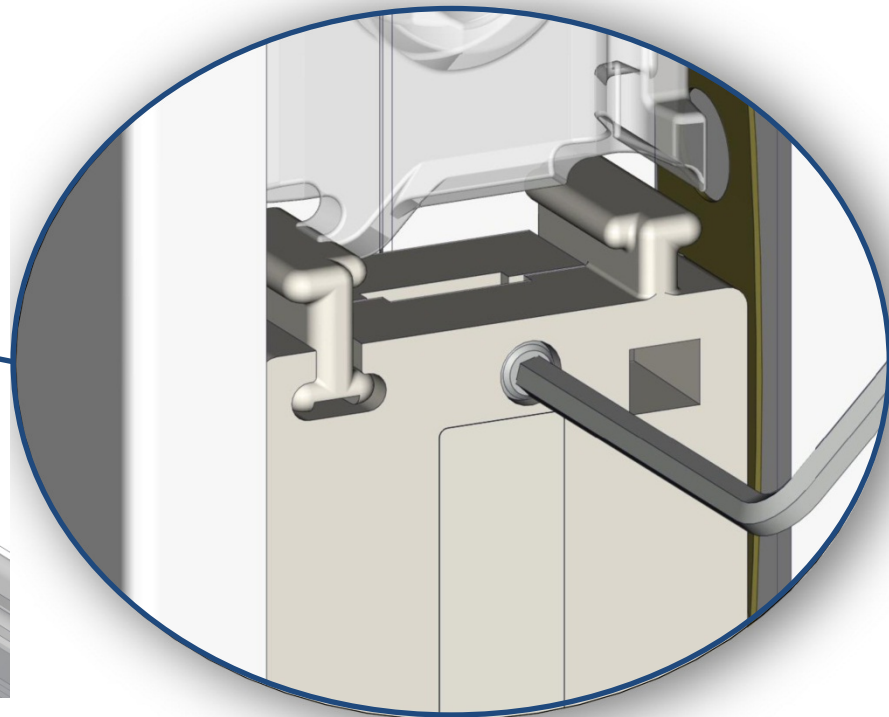


Step 2:

Insert 20H44 Friction Screw into round hole as shown. Using the 5/64 Allen wrench, turn the screw clockwise until the plastic case halves begin to spread apart.

ROLLER TILT® 562 Service Instruction

Friction Screw Installation and Adjustment



Step 3:

Continue turning the screw until you reach the desired amount of friction. Sash should operate smoothly without drifting while sash is fully open or closed.

Step 4:

Return sash to upright position. Test function, adjust as needed.