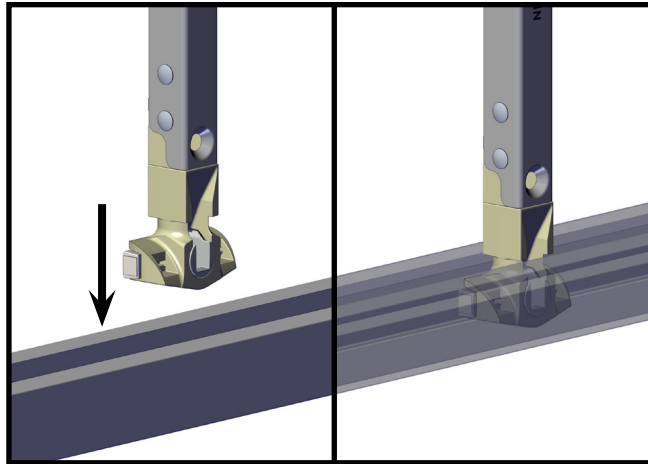
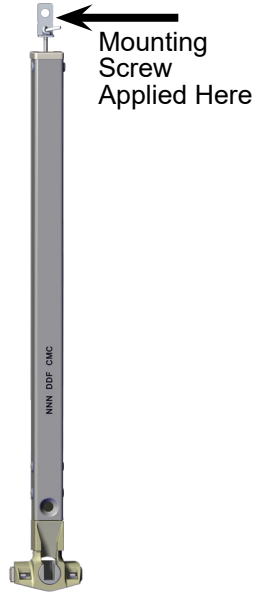


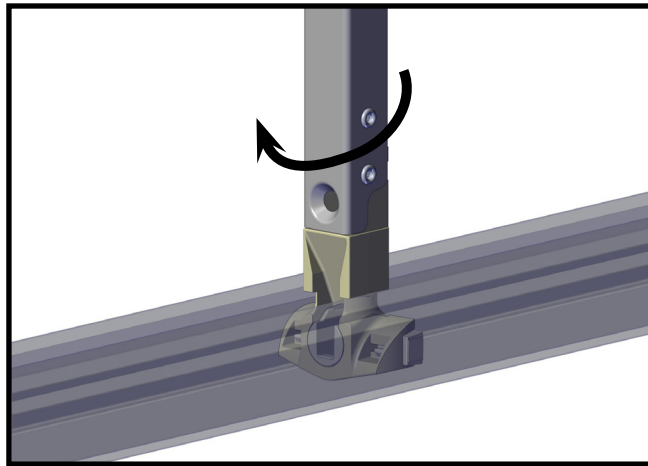


PRODIGY™ Field Instructions

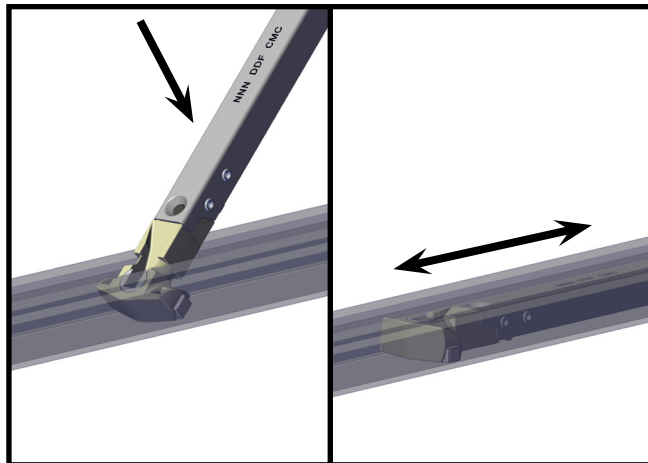
Easy Field Replacement



1. Insert the carrier end of the balance into jamb.



2. Rotate 90°.



3. Rotate balance flat. Balance with carrier now moves freely within the jamb. Remount the balance.

SL42-048_r1 05/01/2023

**To Remove Balance: Retract Balance Completely,
Remove Mounting Screw & Reverse This Process.**