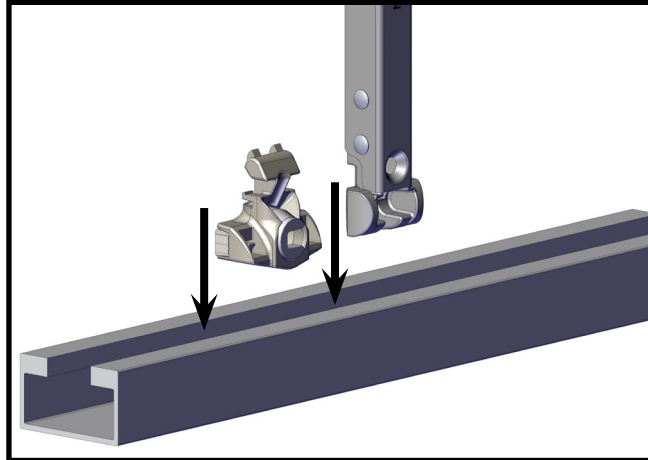


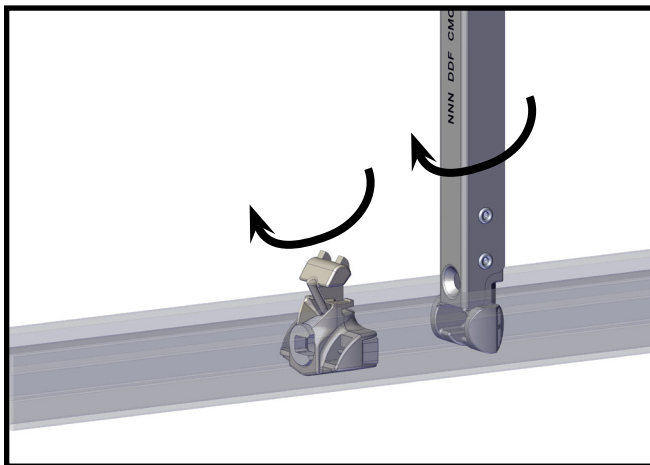


PRODIGY™ Field Instructions

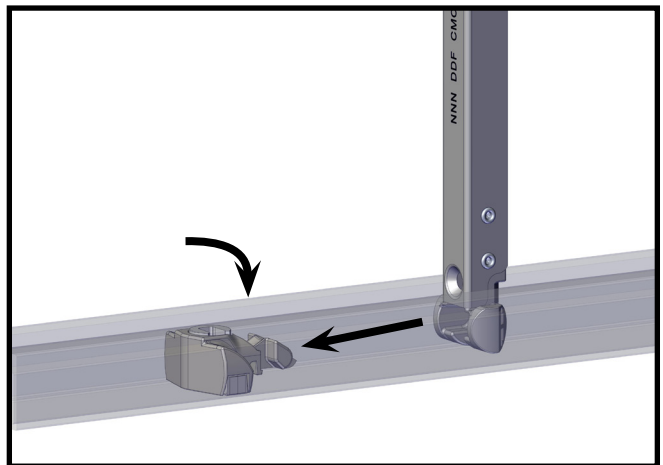
Easy Field Replacement



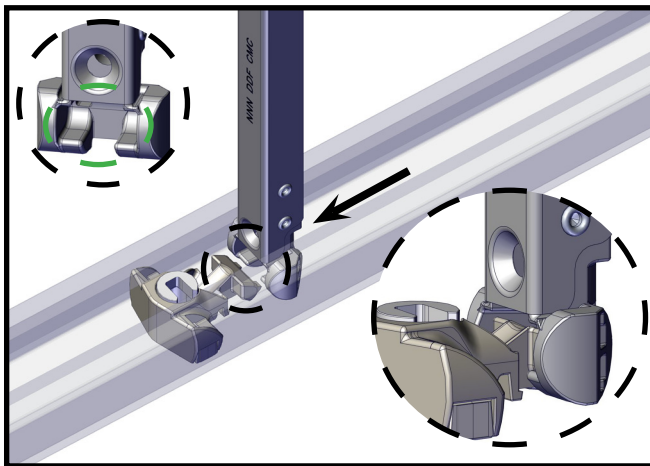
1. Separate the carrier from the balance then insert carrier & balance into jamb pocket as separate pieces.



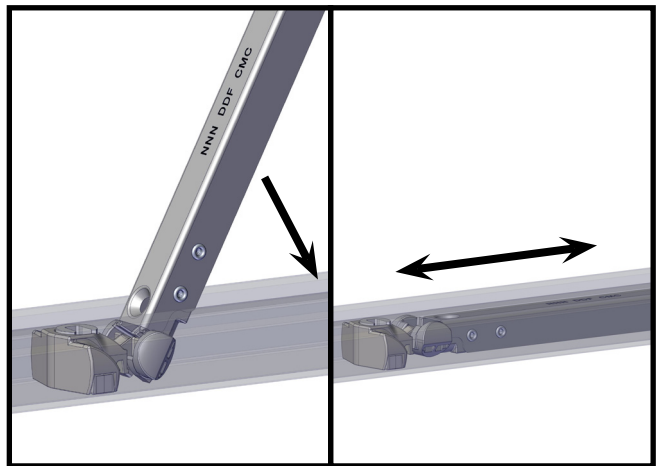
2. Rotate carrier & balance 90°.



3. Rotate carrier flat (balance shown rotated 90°). Begin to bring balance toward carrier.



4. Insert carrier into receiver of balance (shown in green).



5. Rotate balance flat. Balance & carrier are now assembled and move freely within the jamb. Remount the balance.

To Remove Balance: Retract Balance Completely, Remove Mounting Screw & Reverse This Process.