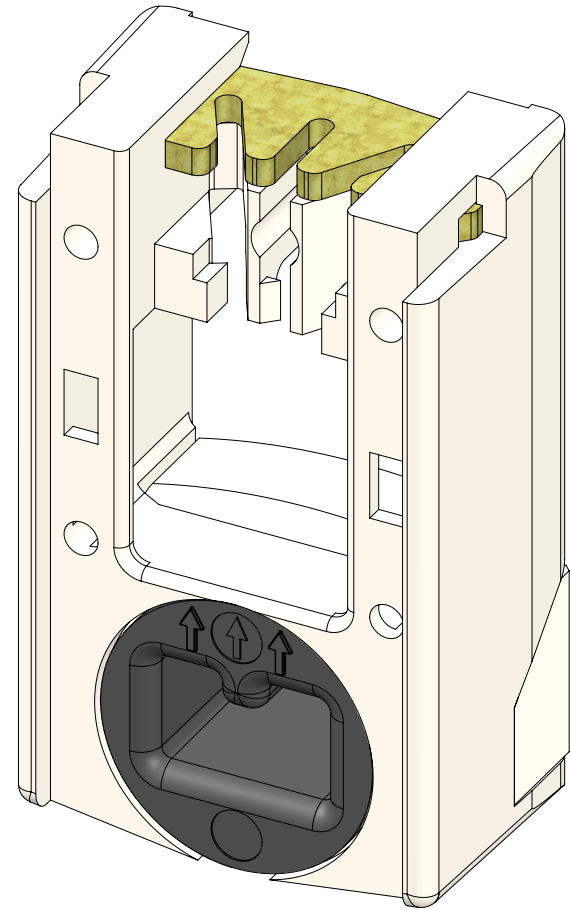
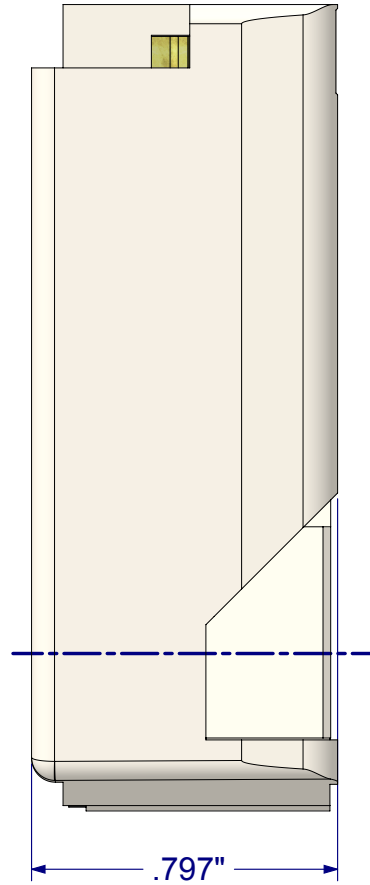
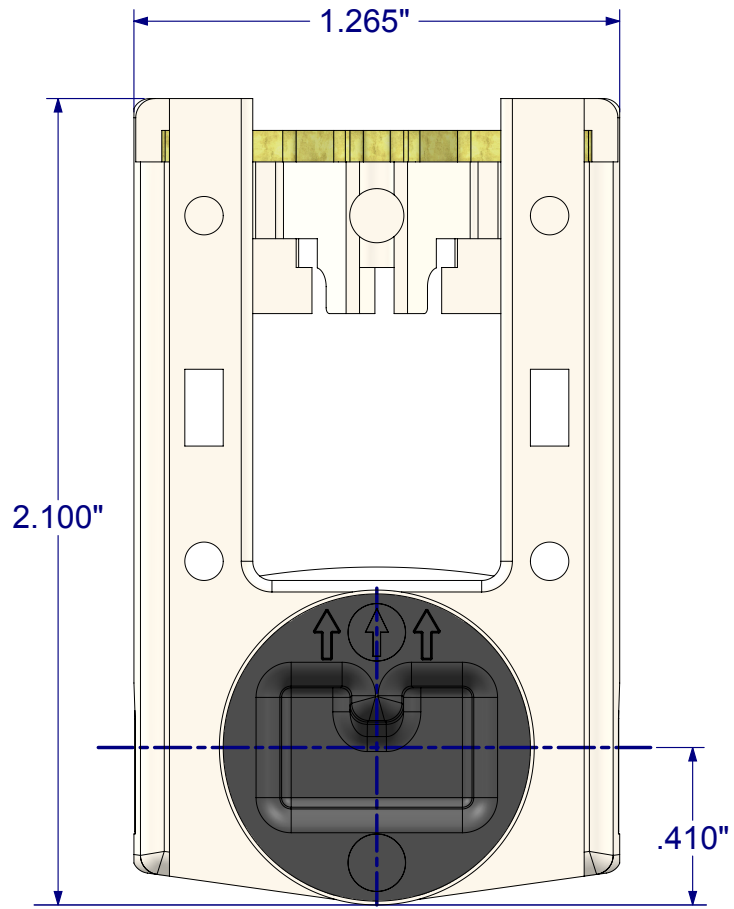
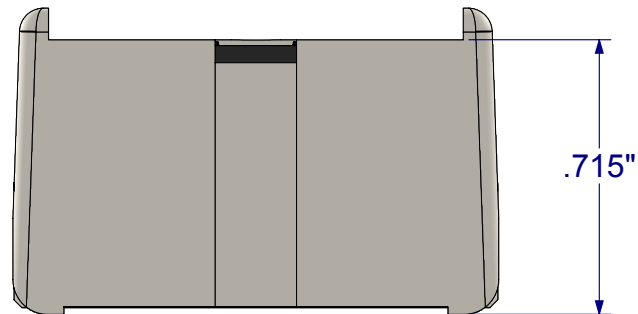


REVISIONS			
REV.#	DESCRIPTION	DATE	BY



**Carrier Assembly
16H98**



THIS IS THE PROPERTY OF
CALDWELL MFG. CO.
ANY USE OR REPRODUCTION WITHOUT
AUTHORIZATION BY THIS COMPANY IS PROHIBITED.

NOTE: DO NOT SCALE DRAWING!
UNLESS OTHERWISE SPECIFIED
ALL TOLERANCES ARE AS FOLLOWS:
TWO DECIMAL PLACES ±.013"
THREE DECIMAL PLACES ±.008"
ANGULAR ± 2°
FRACTIONS ± 1/64"

Solutions That Set New Standards
CALDWELL
Since 1888

Manufacturing Company 2605 Manitou Road, Rochester, New York

TITLE
Carrier Assembly (16H98) (Spirex-Accessories)

THIRD ANGLE PROJECTION	DRAWN MBT	DATE 4/27/12
	CHECKED	DATE
	APPROVED ASJ	DATE 05/01/12
A EX NO SIZE XXXXXX	DWG NO co-16H98	REV 5
SCALE 2:1	SHEET 1 OF 1	