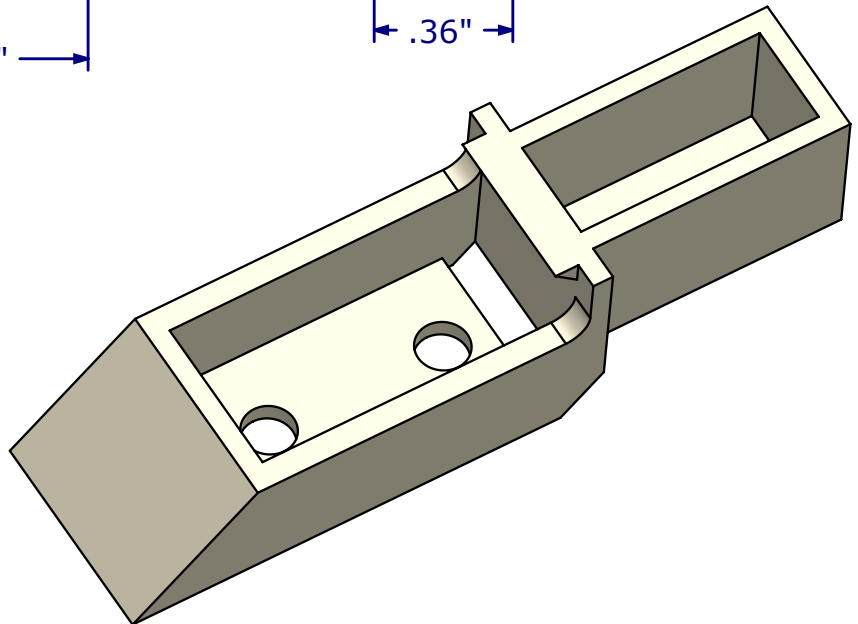


**15P16 Sash Cam**



<b>NOTE: DO NOT SCALE DRAWING!</b> UNLESS OTHERWISE SPECIFIED ALL TOLERANCES ARE AS FOLLOWS: <b>TWO DECIMAL PLACES ±.013"</b> <b>THREE DECIMAL PLACES ±.008"</b> <b>ANGULAR ±.2°</b>	<i>Solutions That Set New Standards</i> <b>CALDWELL</b> <i>Since 1888</i>			
	Manufacturing Company 2605 Manitou Road, Rochester, New York			
	TITLE <b>Sash Cam (15P16)</b>		<i>(Block &amp; Tackle)</i>	
	THIRD ANGLE PROJECTION 		DRAWN JSR DATE 1/5/12	CHECKED DATE
APPROVED ASJ DATE 02/03/12		DWG NO <b>co-15P16</b>		REV <b>2</b>
A EX NO SIZE		SCALE 2:1		SHEET 1 OF 1