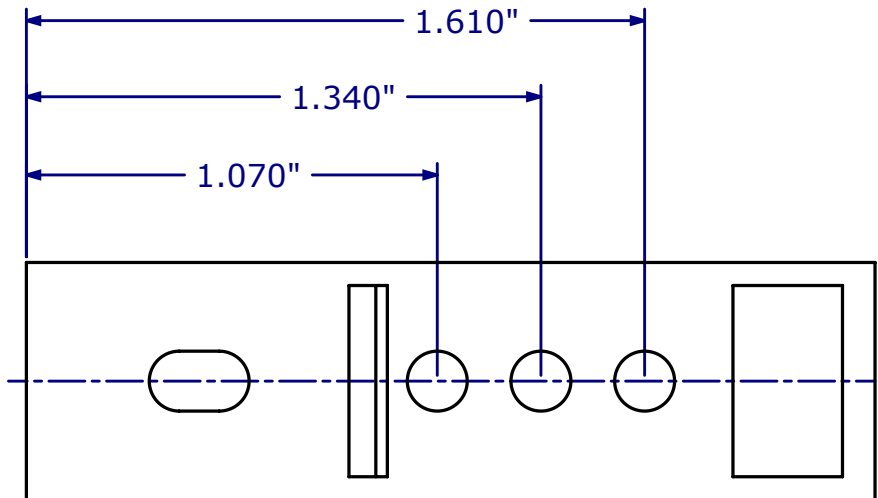
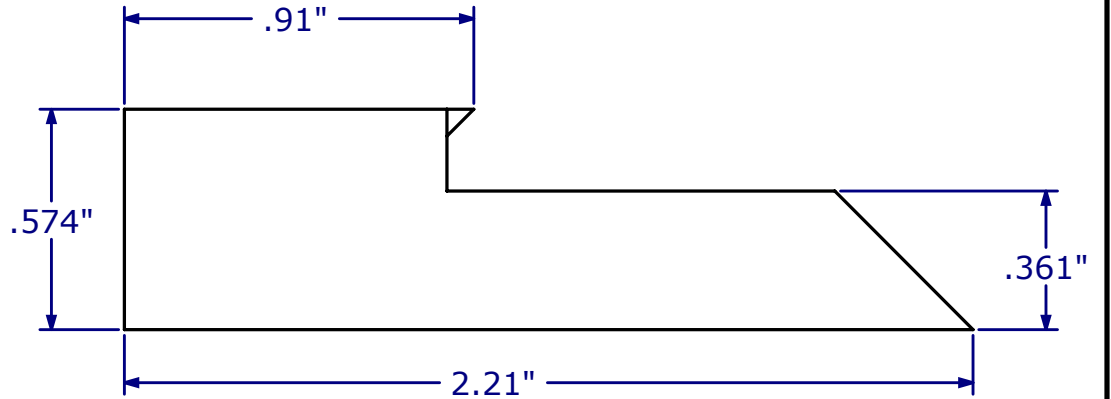
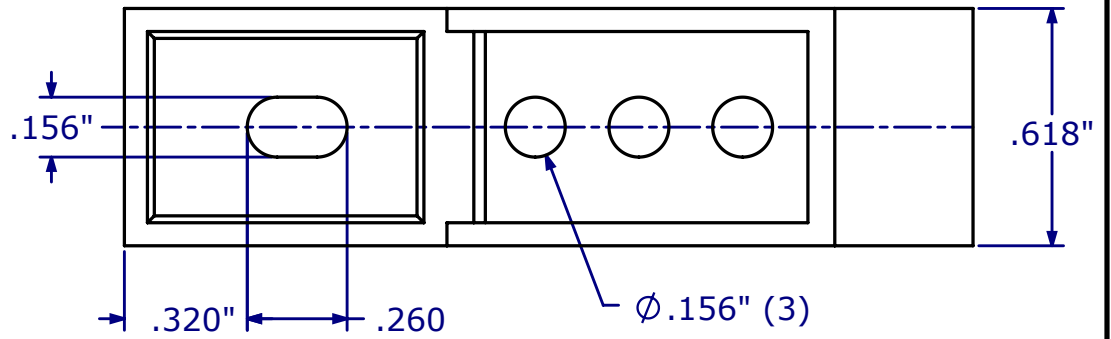


**15P12 Sash Cam**



<p><b>NOTE: DO NOT SCALE DRAWING!</b> UNLESS OTHERWISE SPECIFIED ALL TOLERANCES ARE AS FOLLOWS: TWO DECIMAL PLACES ±.013" THREE DECIMAL PLACES ±.008" ANGULAR ±.2°</p>	<p>Solutions That Set New Standards <b>CALDWELL</b> Since 1888</p>			
	<p>Manufacturing Company 2605 Manitou Road, Rochester, New York</p>			
	<p>TITLE <b>Sash Cam (15P12)</b> (Block &amp; Tackle)</p>			
	THIRD ANGLE PROJECTION	DRAWN JSR	DATE 1/5/12	
	CHECKED	DATE		
	APPROVED ASJ	DATE 02/03/12		
A	EX NO	DWG NO	REV	
SIZE		<b>co-15P12</b>	2	
SCALE 2:1		SHEET 1 OF 1		