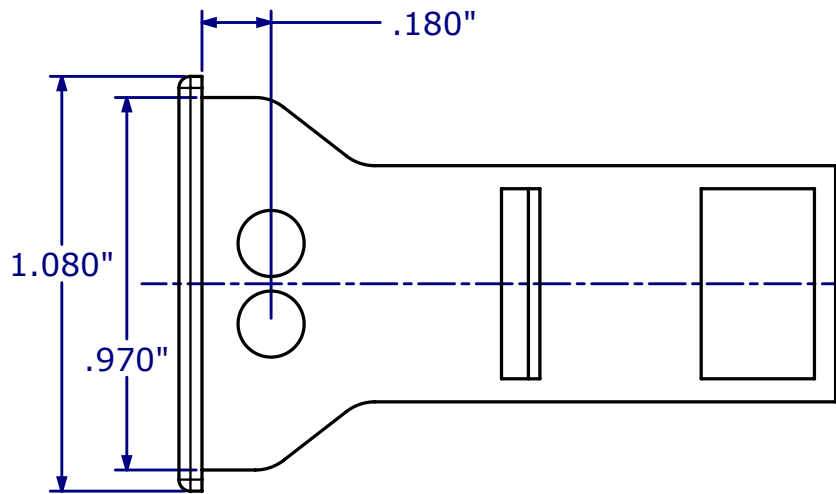
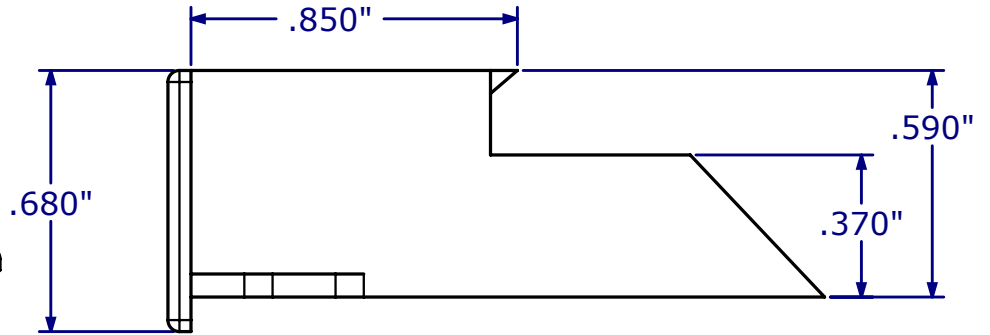
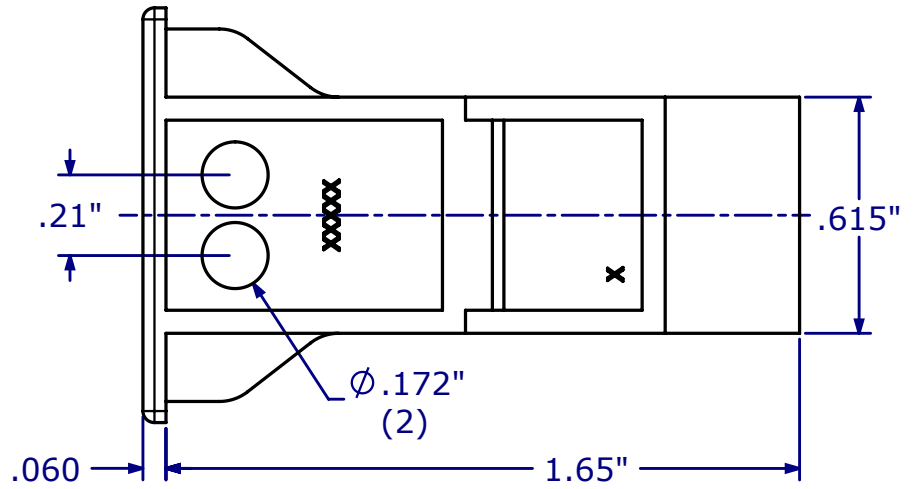


**Sash Cam
15P06**



NOTE: DO NOT SCALE DRAWING! UNLESS OTHERWISE SPECIFIED ALL TOLERANCES ARE AS FOLLOWS: TWO DECIMAL PLACES ±.013" THREE DECIMAL PLACES ±.008" ANGULAR ±.2°	Solutions That Set New Standards CALDWELL Since 1888			
	Manufacturing Company 2605 Manitou Road, Rochester, New York			
	TITLE Sash Cam (15P06) (Block & Tackle)			
	THIRD ANGLE PROJECTION 	DRAWN JSR CHECKED APPROVED ASJ	DATE 12/16/11 DATE DATE 02/03/12	
A EX NO SIZE	DWG NO co-15P06		REV 0	
SCALE 2:1		SHEET 1 OF 1		