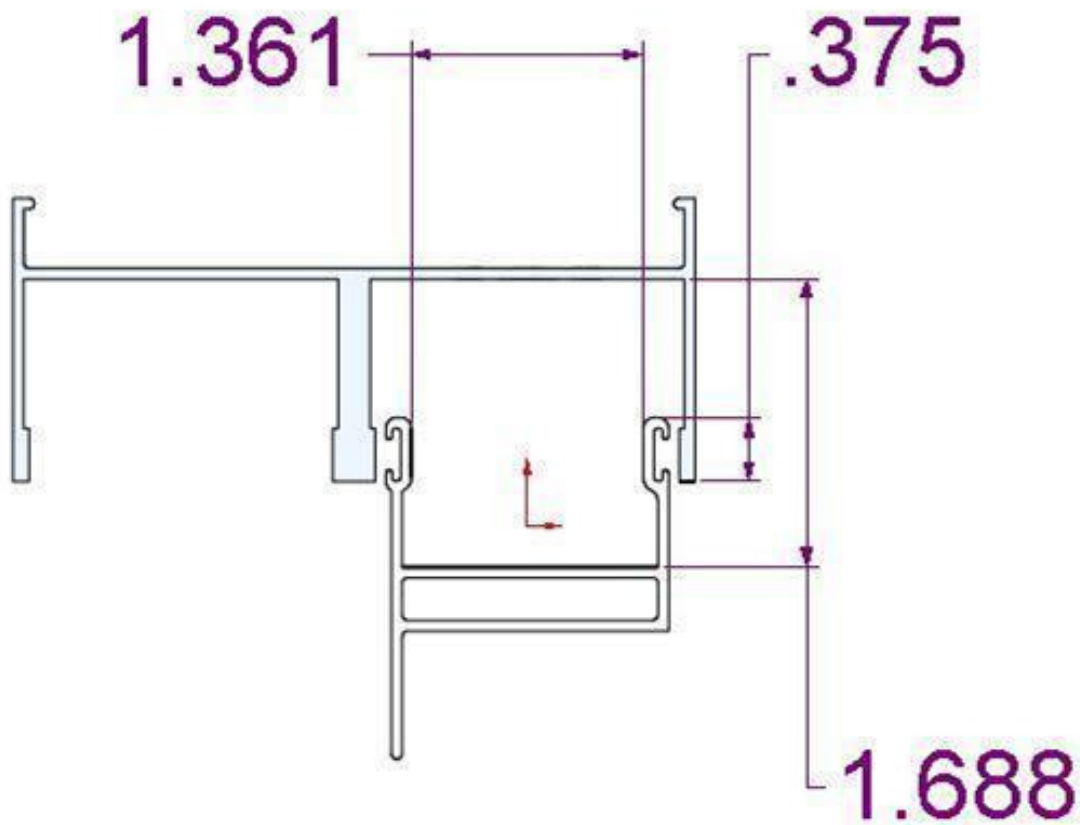




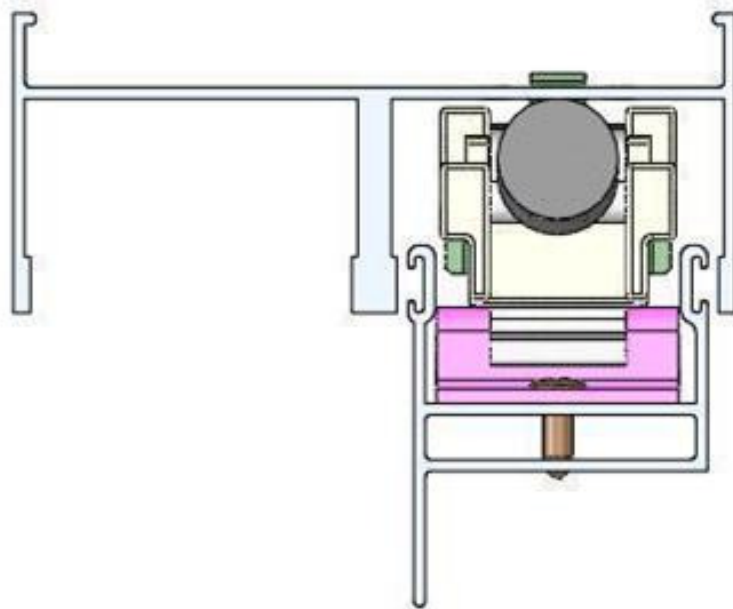
RECOMMENDED PROFILE DIMENSIONS



ECO CARRIER INSTALLATION



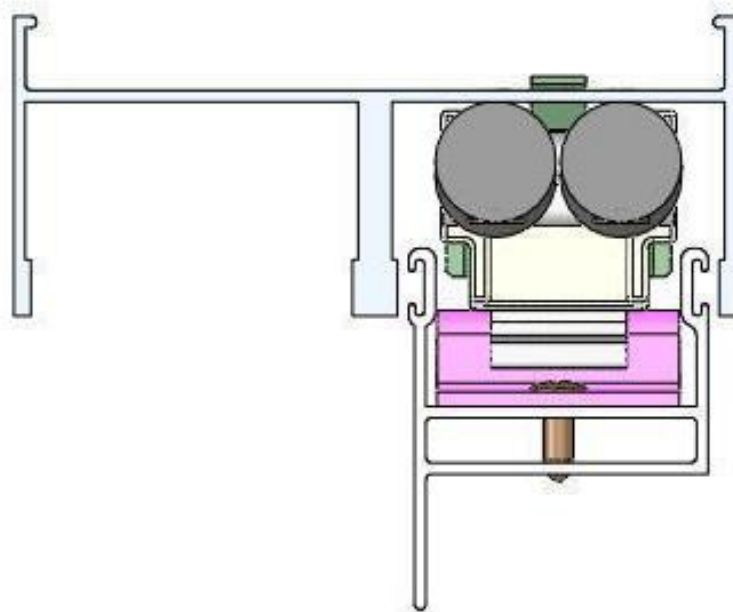
SINGLE ULTRA LIFT INSTALLATION 10 LB. – 100 LB. SASH



ECO CARRIER INSTALLATION

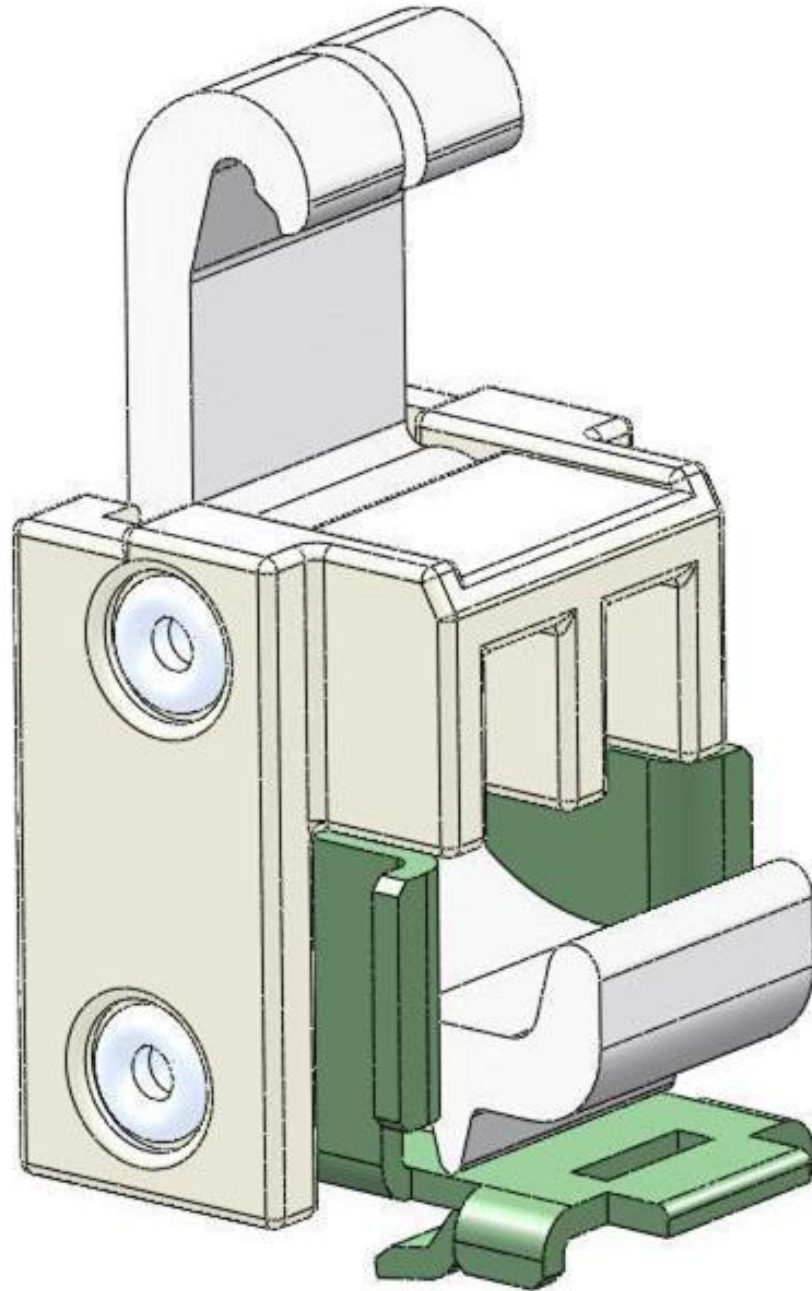


**TANDEM ULTRA LIFT INSTALLATION
101 LB. – 200 LB. SASH**



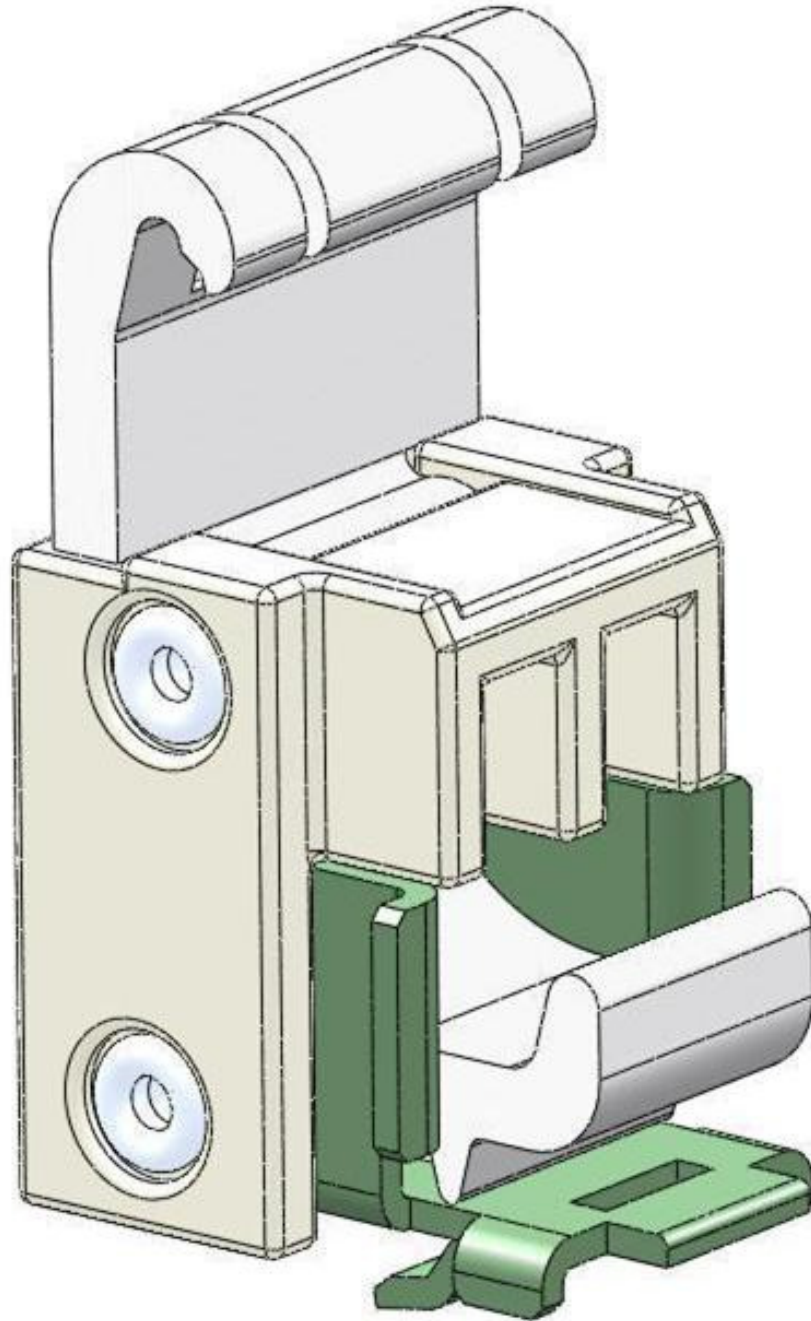
ECO CARRIER INSTALLATION

SINGLE ECO CARRIER



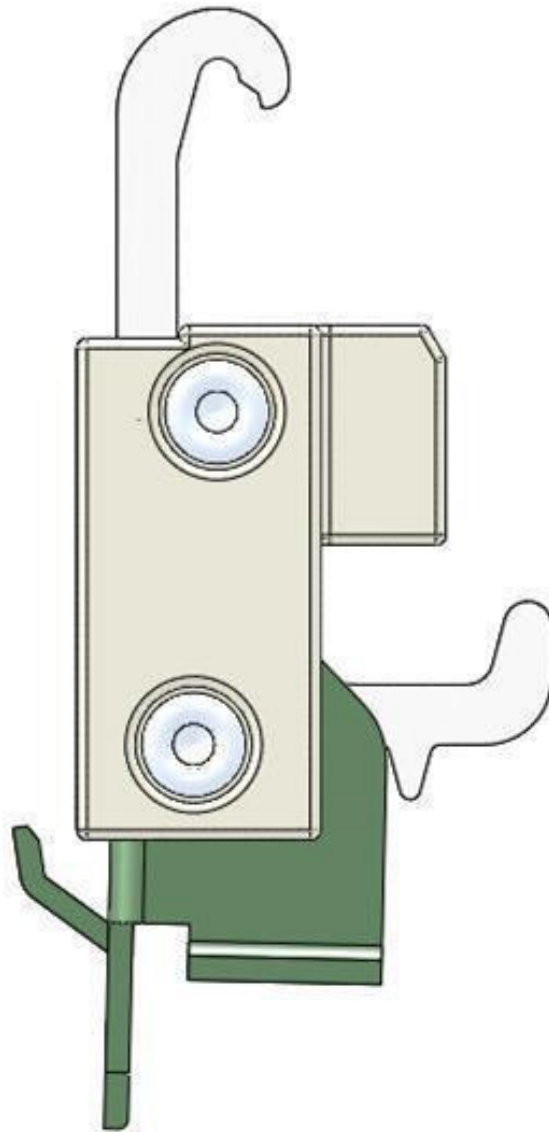
ECO CARRIER INSTALLATION

TANDEM ECO CARRIER



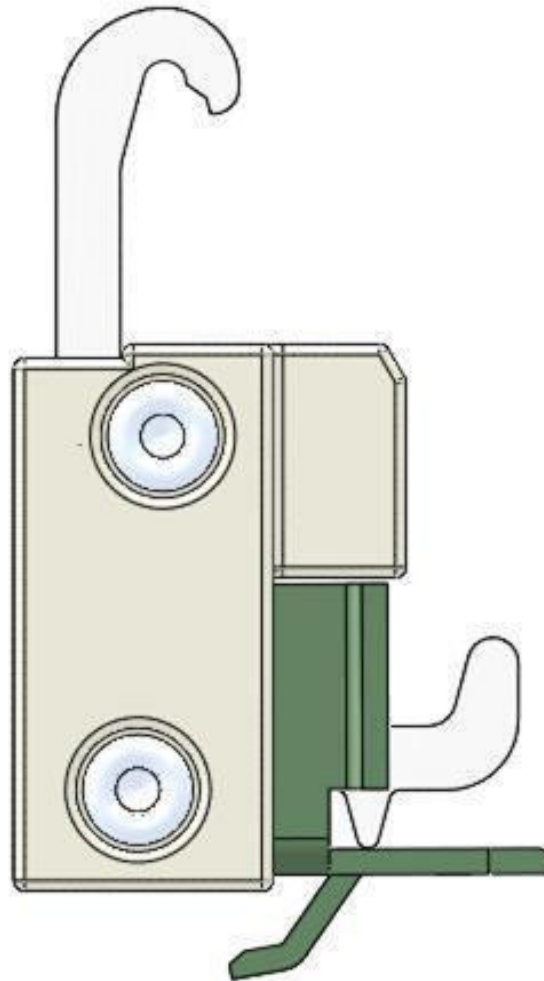
ECO CARRIER INSTALLATION

Solutions That Set New Standards



ANCHOR BRACKET SHOWN IN
LOCK DOWN POSITION

ECO CARRIER INSTALLATION

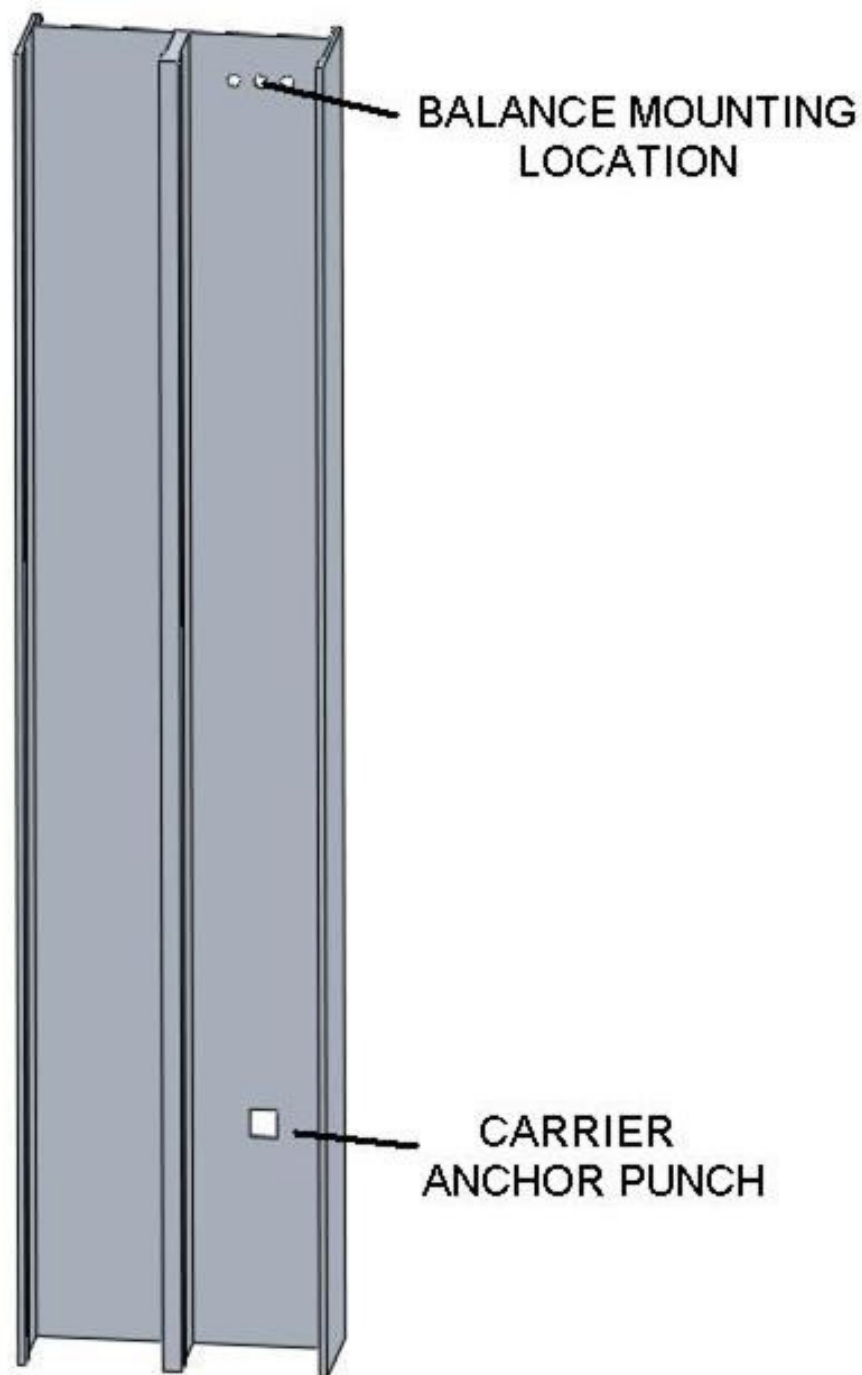


ANCHOR BRACKET SHOWN
IN STORED POSITION

ECO CARRIER INSTALLATION

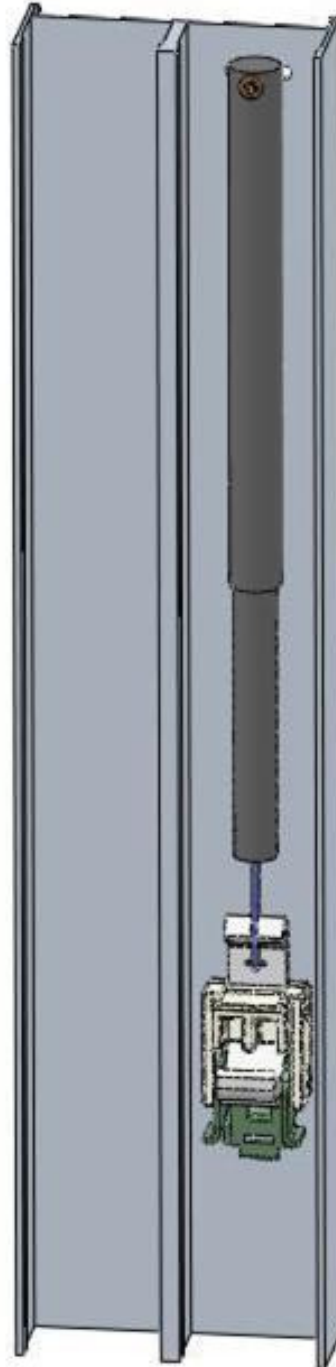


GENERIC FRAME DETAILS



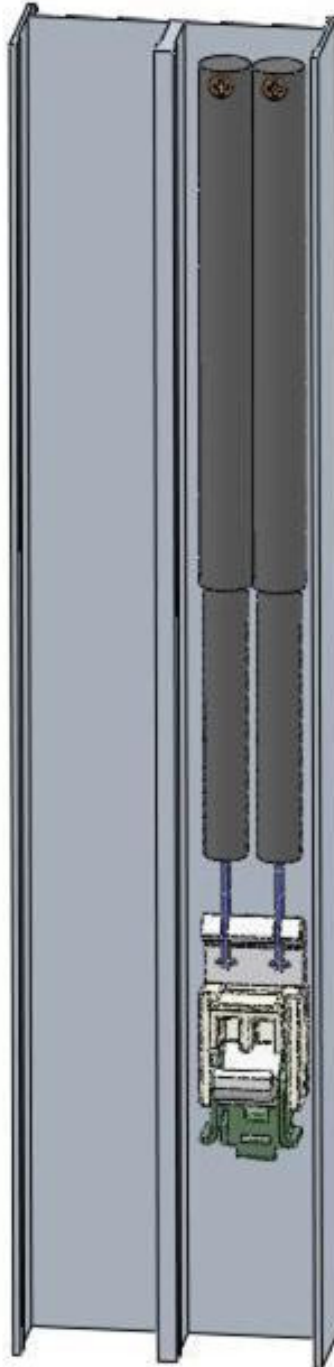
ECO CARRIER INSTALLATION

SINGLE ULTRA LIFT INSTALLATION



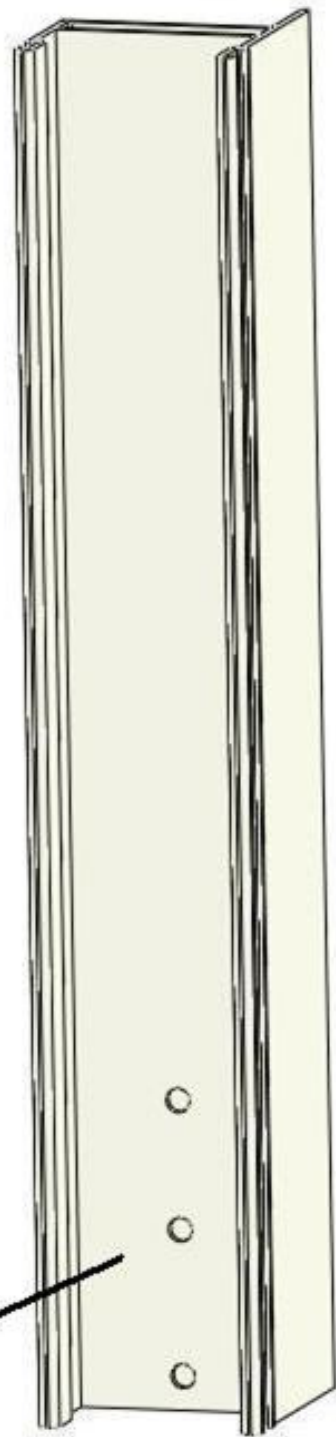
ECO CARRIER INSTALLATION

TANDEM ULTRA LIFT INSTALLATION



ECO CARRIER INSTALLATION

STILE
DETAILS

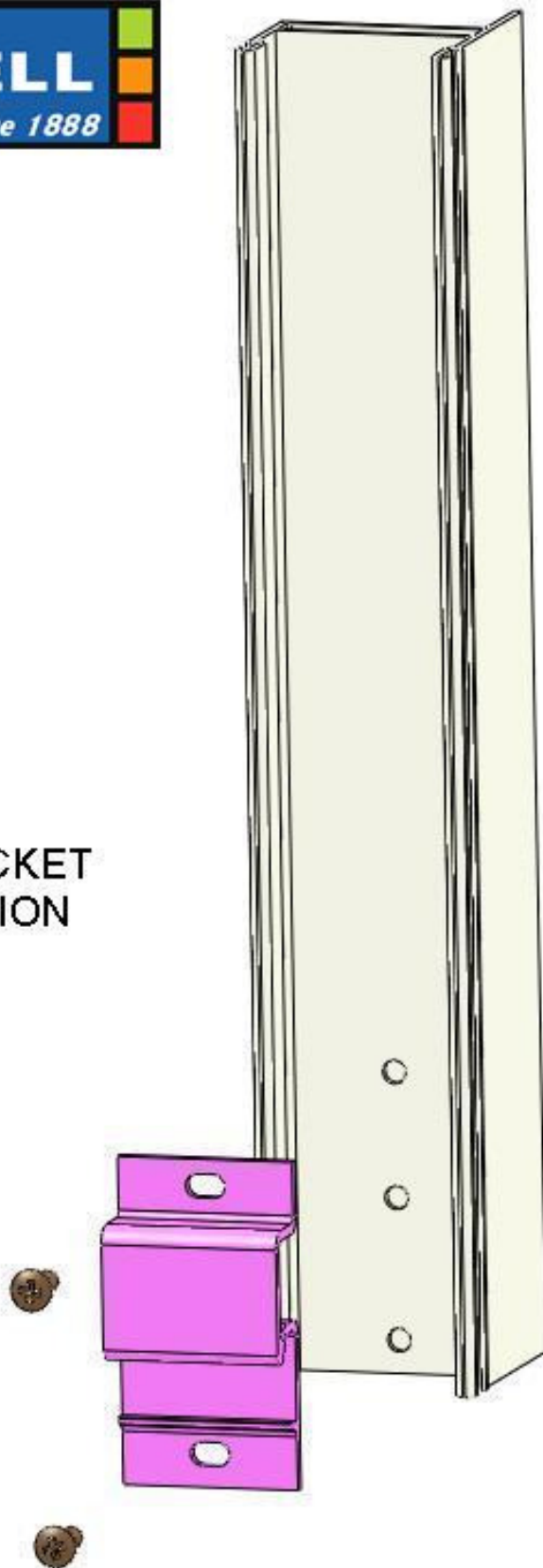


CORNER JOINING
AND SASH
BRACKET HOLES

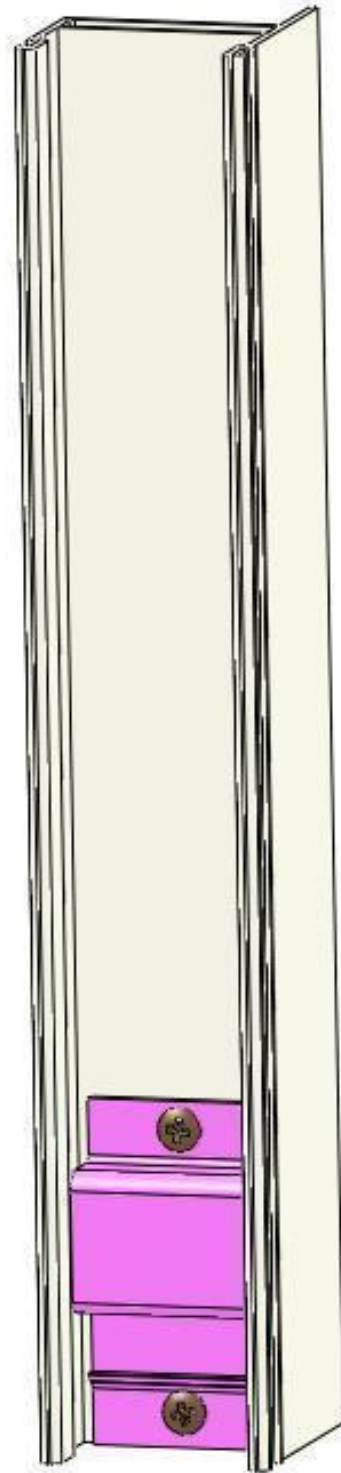
ECO CARRIER INSTALLATION



SASH BRACKET
INSTALLATION



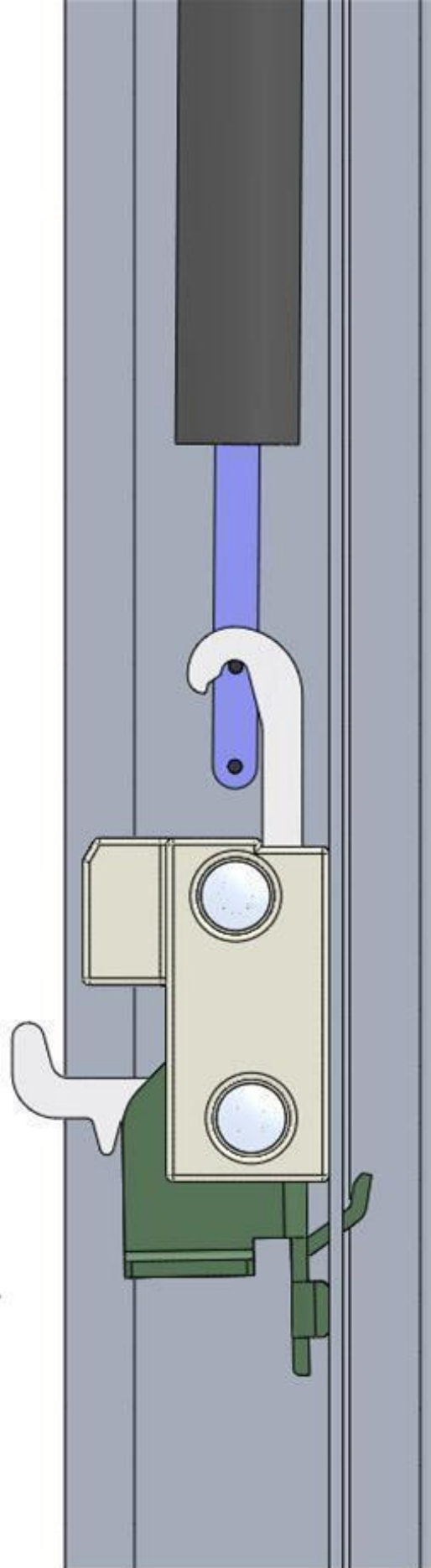
ECO CARRIER INSTALLATION



SASH BRACKET
INSTALLATION

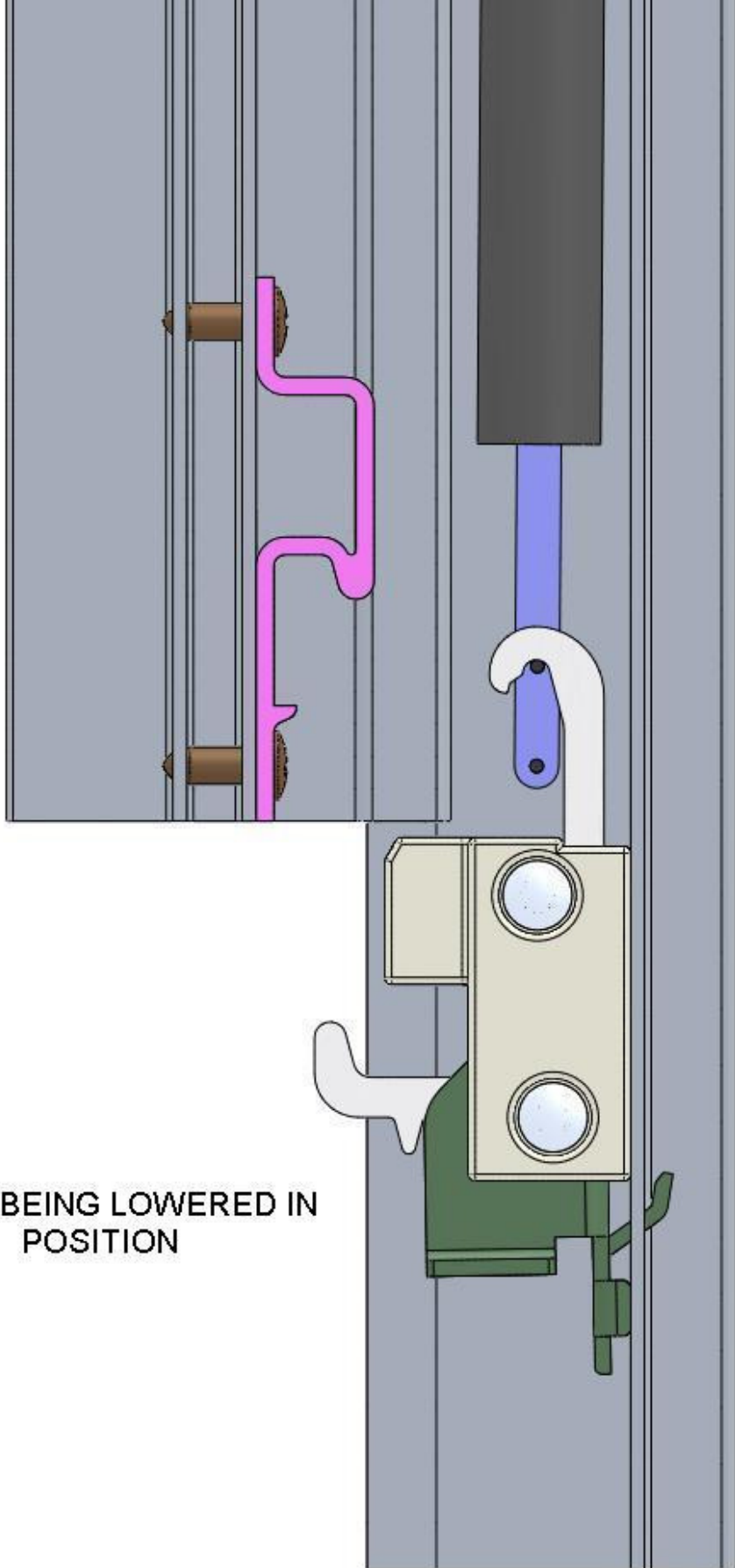
ECO CARRIER INSTALLATION

Solutions That Set New Standards



CARRIER AND ULTRA LIFT
INSTALLED IN FRAME

ECO CARRIER INSTALLATION

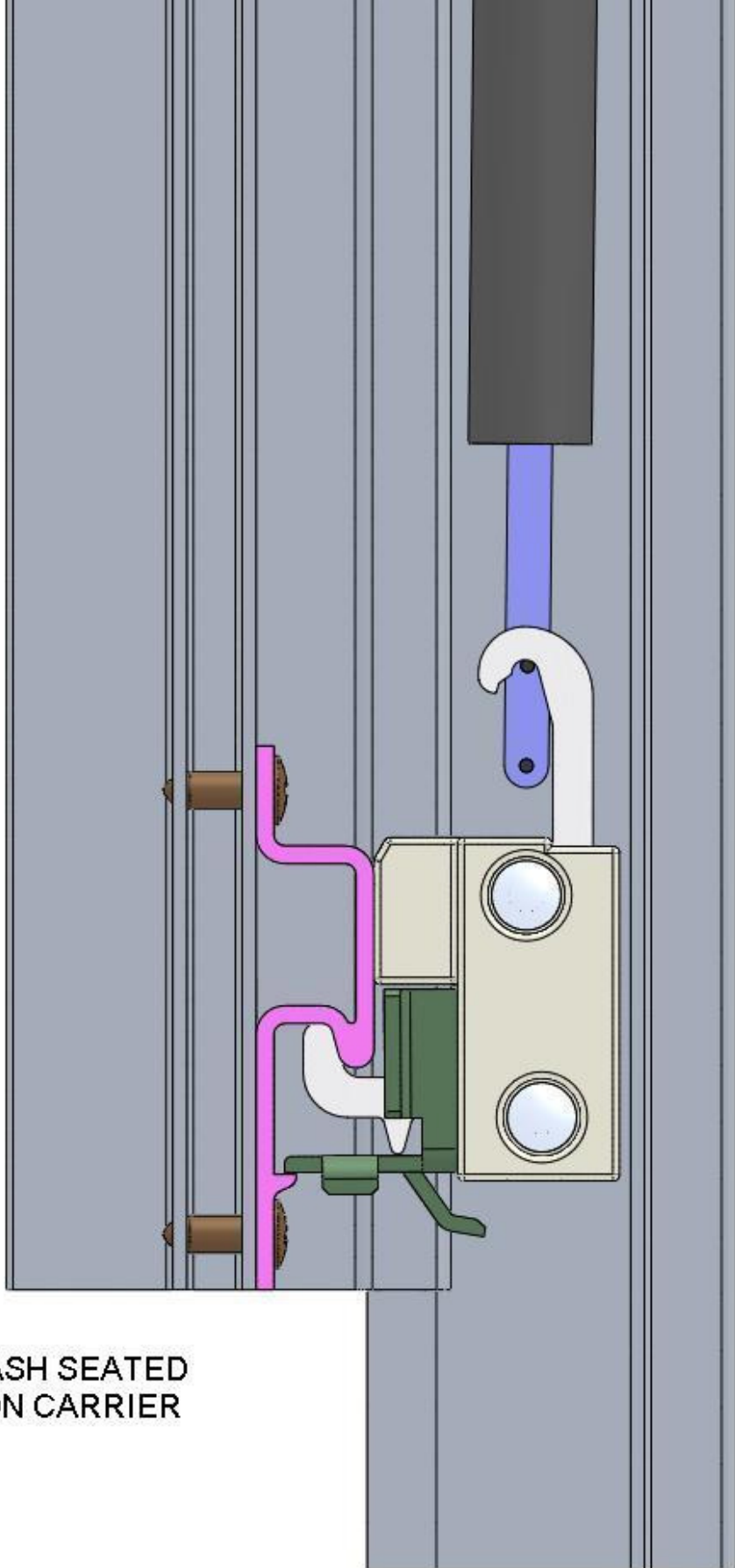


SASH BEING LOWERED IN POSITION

ECO CARRIER INSTALLATION

Solutions That Set New Standards





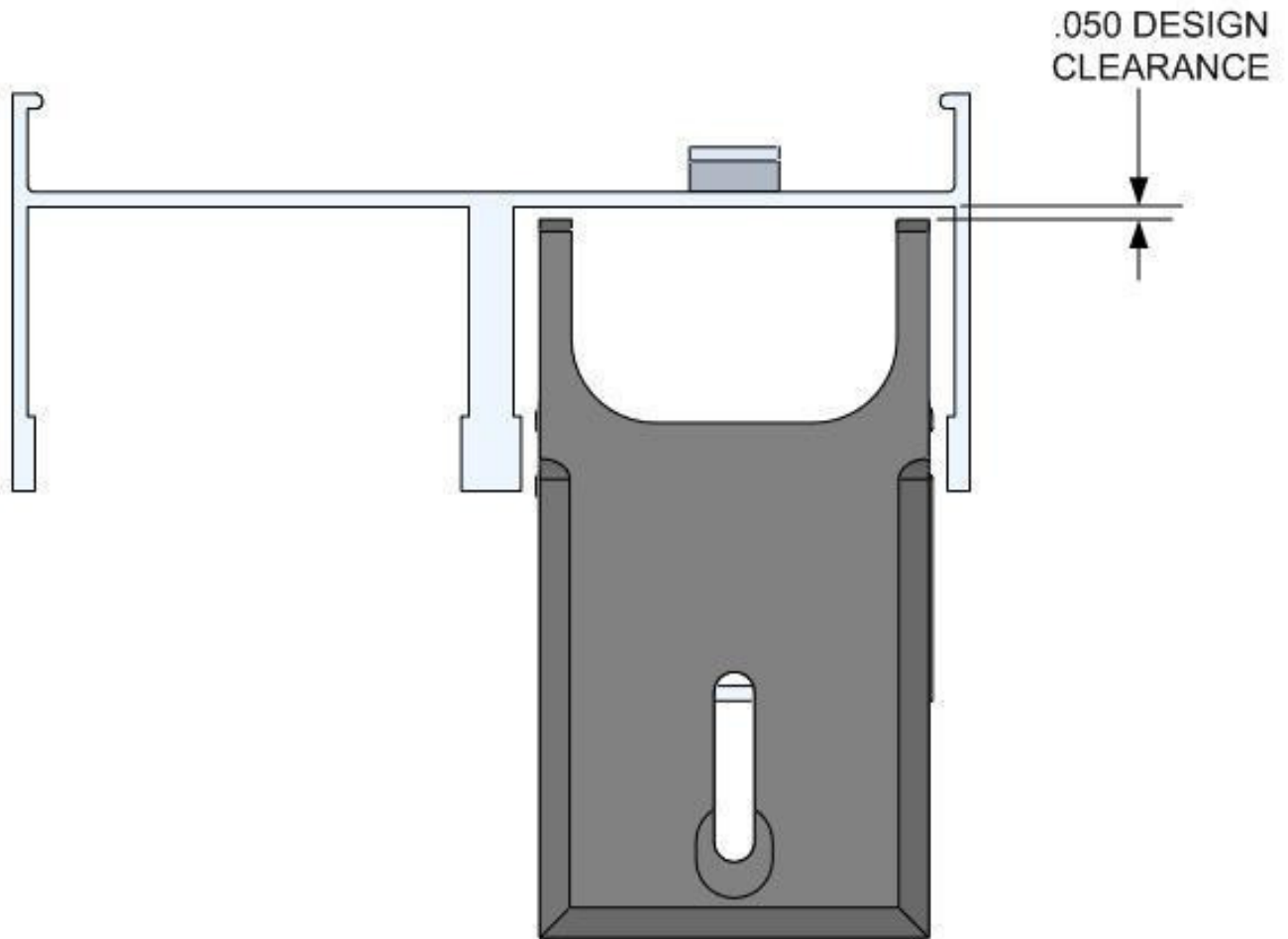
SASH SEATED
ON CARRIER

ECO CARRIER INSTALLATION

Solutions That Set New Standards

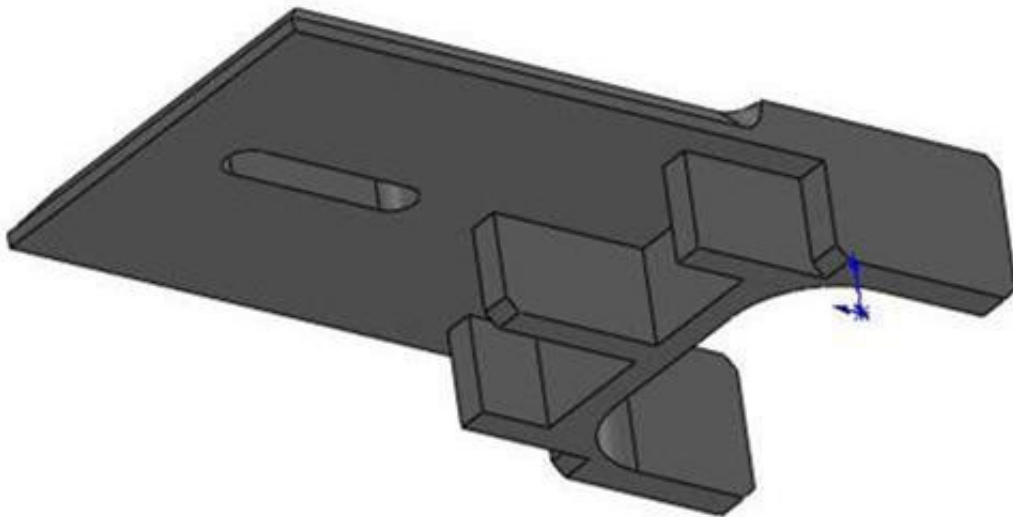
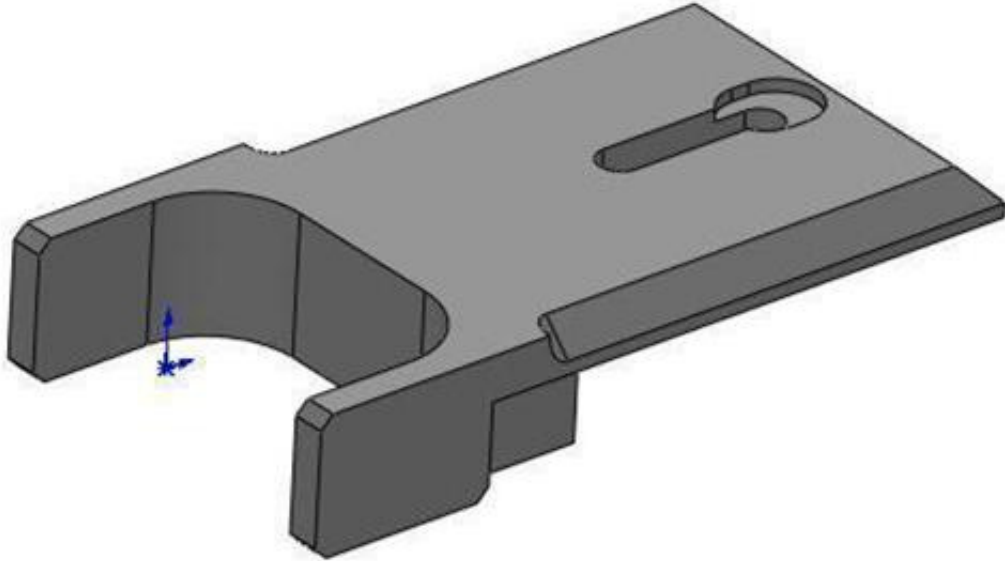


GENERIC SASH CAP

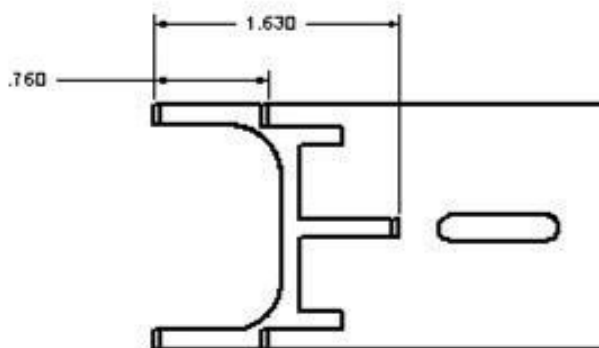
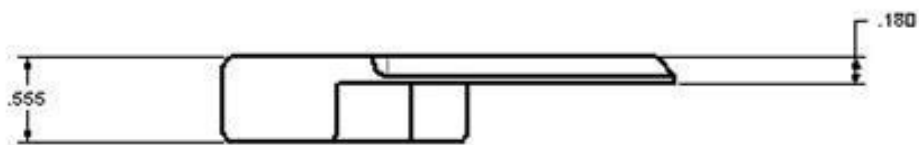
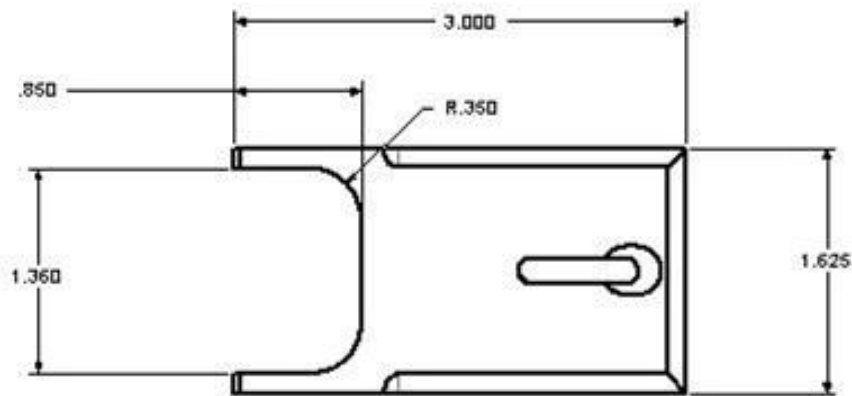


ECO CARRIER INSTALLATION

GENERIC SASH CAP



ECO CARRIER INSTALLATION



UNIFORM PRACTICES NOTE: DO NOT SCALE DRAWING UNLESS OTHERWISE SPECIFIED ALL TOLERANCES ARE AS FOLLOWS:		DIMENSION IDENTIFICATION SYMBOLS [Symbol] - 10% VOLUME DISCOUNT [Symbol] - SPECIAL FUNCTION [Symbol] - SPECIAL PROCESS [Symbol] - SPECIAL FINISH [Symbol] - LOST P.D. USED - XX		CALDWELL Manufacturing Company 1888 Market Ave., Rochester, New York																		
<table border="1"> <tr> <th>INCHES</th> <th>(MILLIMETERS)</th> </tr> <tr> <td>TWO DECIMAL PLACES ±.010</td> <td>ONE DECIMAL PLACE ±.21</td> </tr> <tr> <td>THREE DECIMAL PLACES ±.001</td> <td>TWO DECIMAL PLACES ±.02</td> </tr> <tr> <td>DECIMAL FRACTIONS ±.1</td> <td>DECIMAL FRACTIONS ±.1</td> </tr> </table>		INCHES	(MILLIMETERS)	TWO DECIMAL PLACES ±.010	ONE DECIMAL PLACE ±.21	THREE DECIMAL PLACES ±.001	TWO DECIMAL PLACES ±.02	DECIMAL FRACTIONS ±.1	DECIMAL FRACTIONS ±.1	THIS IS THE PROPERTY OF CALDWELL MFG. CO. ANY USER REPRODUCTION WITHOUT AUTHORIZATION BY THIS COMPANY IS PROHIBITED.		GENERIC ECO SASH CAP <table border="1"> <tr> <td>THIRD ANGLE PROJECTION</td> <td>DATE</td> <td>BY</td> </tr> <tr> <td></td> <td></td> <td></td> </tr> <tr> <td>SCALE 1:1</td> <td>SHEET 1 OF 1</td> <td>REV</td> </tr> </table>		THIRD ANGLE PROJECTION	DATE	BY				SCALE 1:1	SHEET 1 OF 1	REV
INCHES	(MILLIMETERS)																					
TWO DECIMAL PLACES ±.010	ONE DECIMAL PLACE ±.21																					
THREE DECIMAL PLACES ±.001	TWO DECIMAL PLACES ±.02																					
DECIMAL FRACTIONS ±.1	DECIMAL FRACTIONS ±.1																					
THIRD ANGLE PROJECTION	DATE	BY																				
SCALE 1:1	SHEET 1 OF 1	REV																				