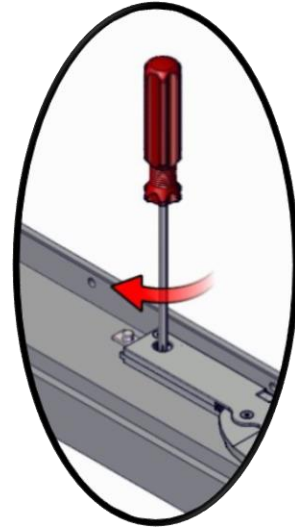
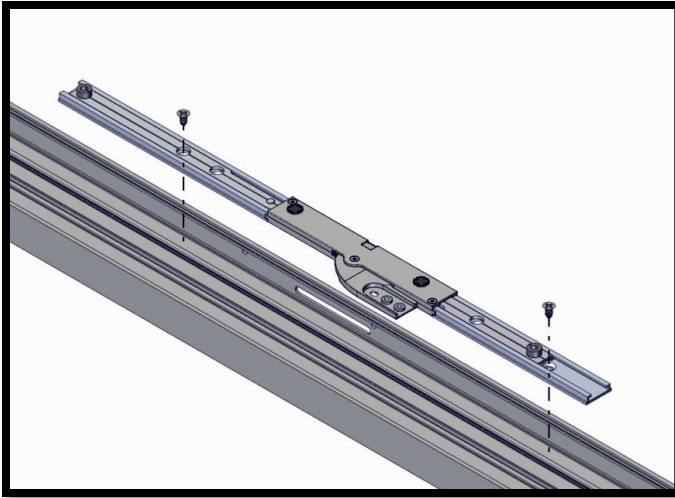


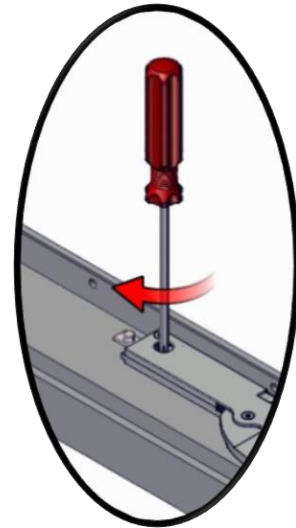
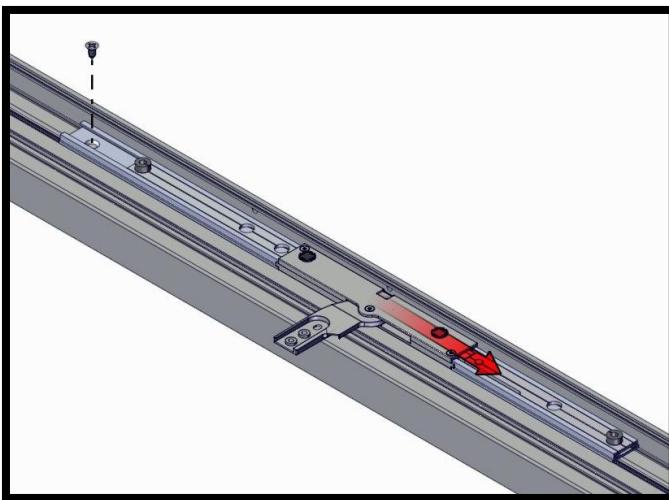


# OMNI DRIVE™ Installation Instructions (Euro-Groove)



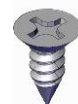
## Step 1:

Start with the OMNI DRIVE™ Engine in the closed position (shown). Place the OMNI DRIVE™ in the interior euro groove. Align holes with prefabricated. Insert the #10 x ½" undercut mounting screw(s). Using a Phillips head screwdriver fasten to the frame.



## Step 2:

Slide the OMNI DRIVE™ to the open position (shown) exposing the prefabricated hole in the sill. Insert the #10 x ½" undercut mounting screw(s). Using a Phillips head screwdriver fasten to the frame.



Caldwell Manufacturing Company North America, LLC

Phone: (888) 347-7771

Fax: (585) 352-3729

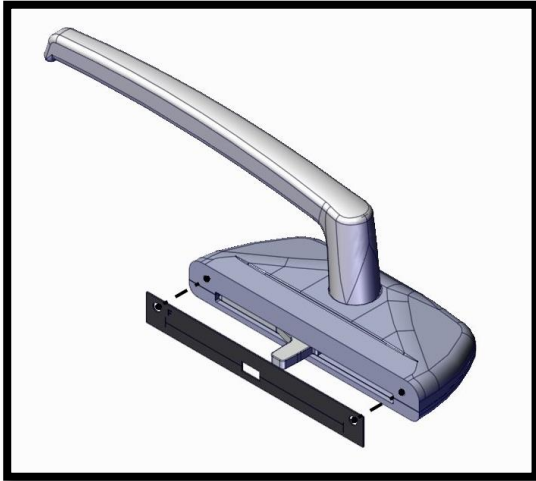
Web: [www.caldwellmfgco.com](http://www.caldwellmfgco.com)

Email: [CService@caldwellmfgco.com](mailto:CService@caldwellmfgco.com)

CSL-00015 Euro Groove Installation 11/30/18

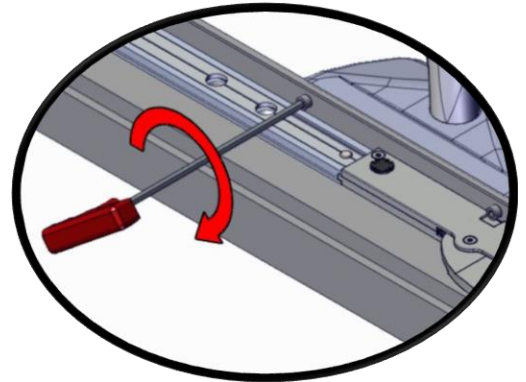
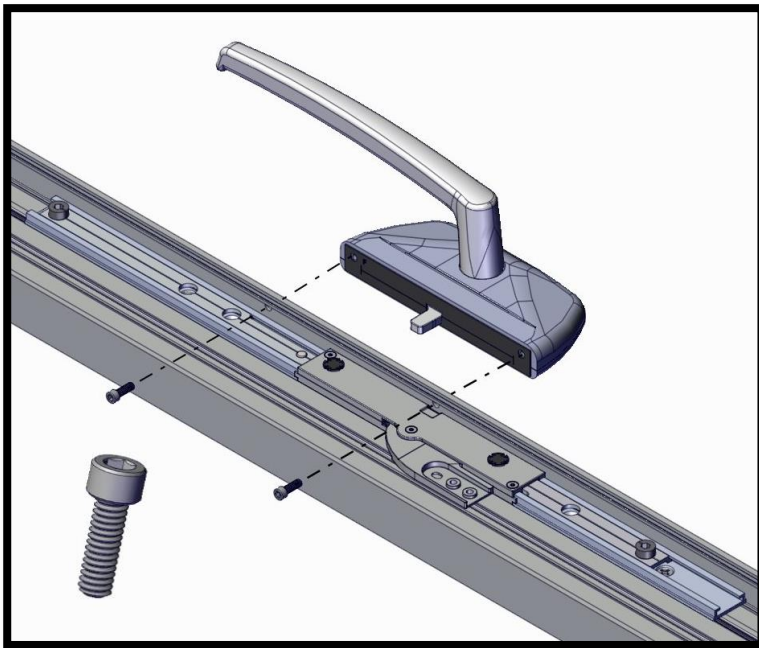


# OMNI DRIVE™ Installation Instructions (Euro-Groove)



### Step 3:

Apply gasket on the Handle Housing, by exposing the adhesive strip and aligning the holes.



### Step 4:

With the handle in the closed position (to the right from interior) slide into slot. Insert the 8-32 x 1/2" socket head cap screws, from inside the frame via predrilled holes. Use a 9/64" hex wrench to tighten to a snug torque.

Caldwell Manufacturing Company North America, LLC

Phone: (888) 347-7771

Fax: (585) 352-3729

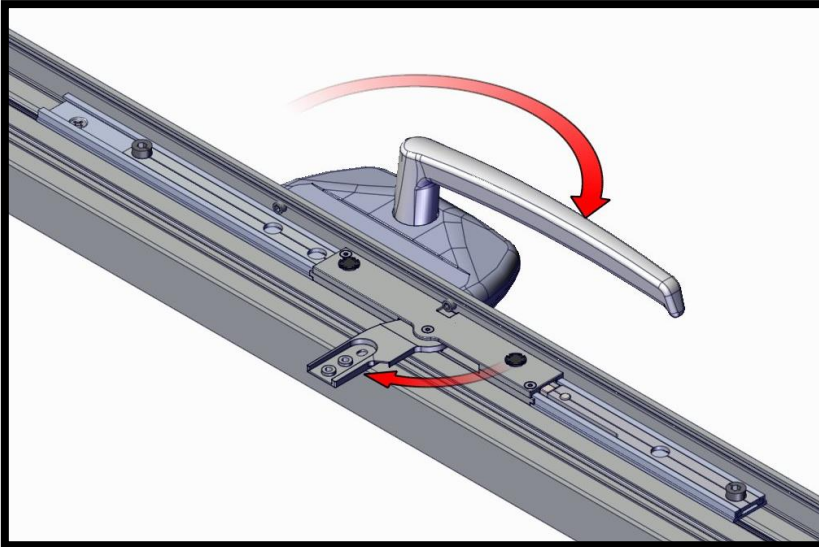
Web: [www.caldwellmfgco.com](http://www.caldwellmfgco.com)

Email: [CSservice@caldwellmfgco.com](mailto:CSservice@caldwellmfgco.com)

CSL-00015 Euro Groove Installation 11/30/18



# OMNI DRIVE™ Installation Instructions (Euro-Groove)



## Step 5:

Rotate handle 180 degrees to the open position so the Engine Arm Receiver is angle outward.



## Step 6:

Insert vent arm into the vent track.

CSL-00015 Euro Groove Installation 11/30/18

Caldwell Manufacturing Company North America, LLC

Phone: (888) 347-7771

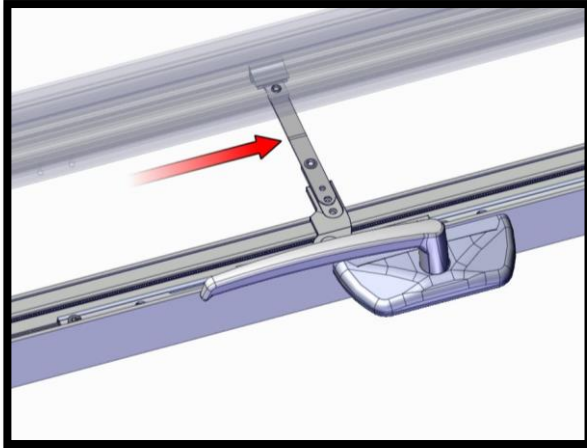
Fax: (585) 352-3729

Web: [www.caldwellmfgco.com](http://www.caldwellmfgco.com)

Email: [CService@caldwellmfgco.com](mailto:CService@caldwellmfgco.com)

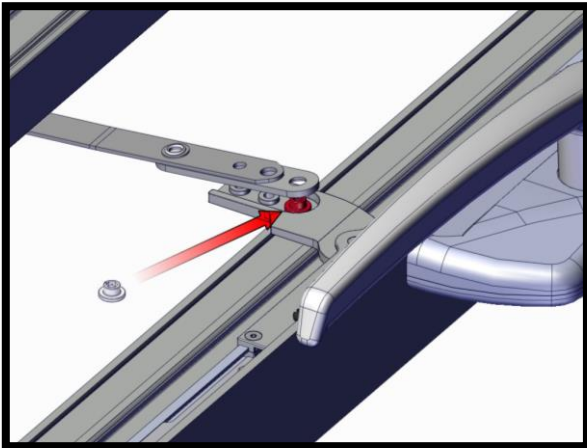


# OMNI DRIVE™ Installation Instructions (Euro-Groove)



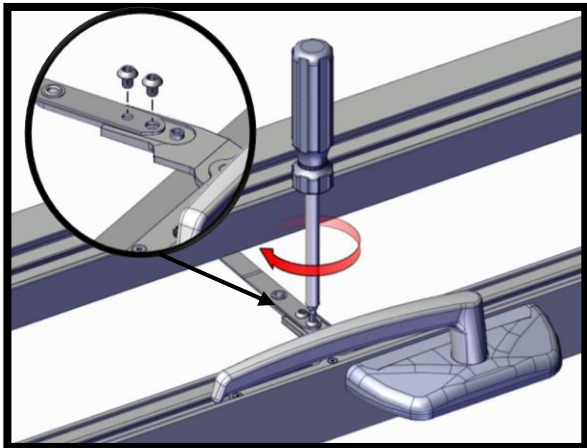
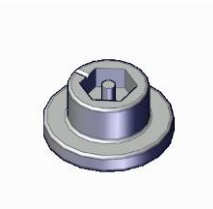
## Step 7:

Slide vent arm along euro groove until the arm is in position resting on the OMNI DRIVE™ receiver arm (Shown)



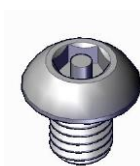
## Step 8:

Insert the eccentric cam into place as shown & place the vent arm on top of it.



## Step 9:

Using a 5/32" security hex driver (CMC # 422) insert the two 10-32 x 1/4" security button head cap screws as shown & tighten to a snug torque



Caldwell Manufacturing Company North America, LLC

Phone: (888) 347-7771

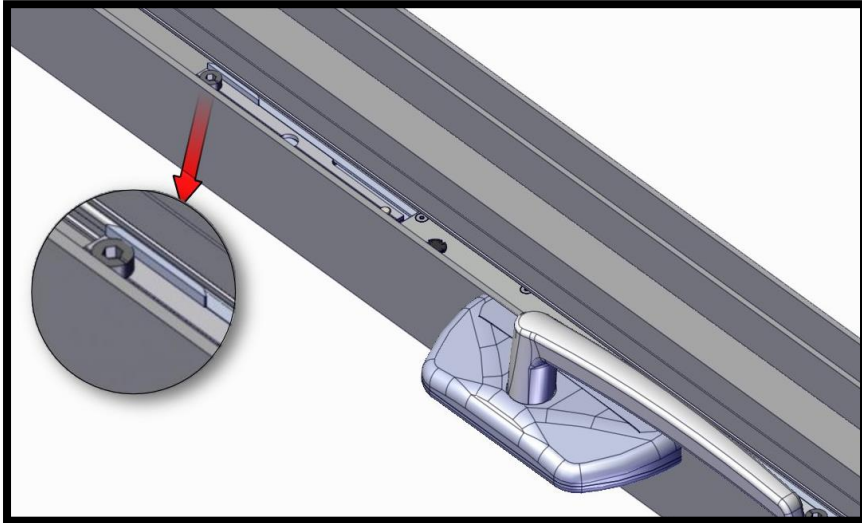
Fax: (585) 352-3729

Web: [www.caldwellmfgco.com](http://www.caldwellmfgco.com)

Email: [CSservice@caldwellmfgco.com](mailto:CSservice@caldwellmfgco.com)



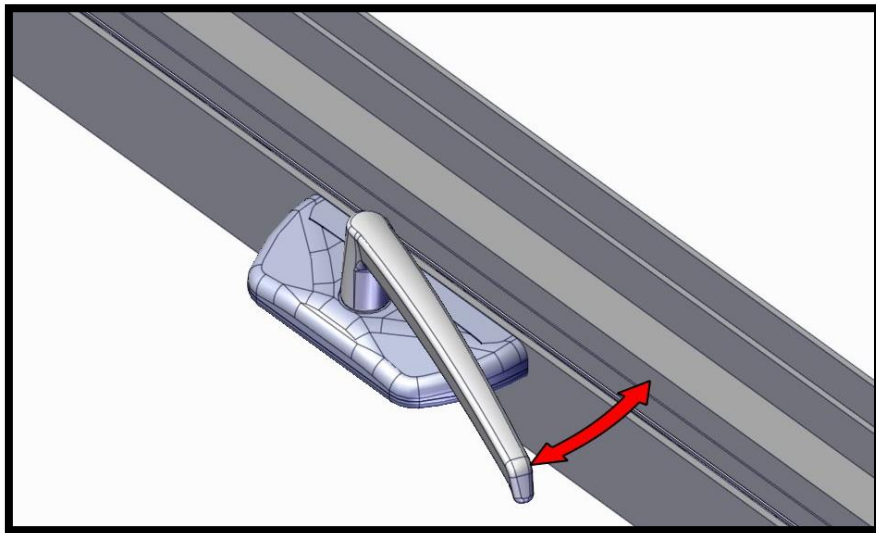
# OMNI DRIVE™ Installation Instructions (Euro-Groove)



Handle returns to zero & vent does not close completely.

**NEED TO INCREASE CLOSURE**

**(Pull Vent In)**



Vent will close & handle does not return to zero.

**NEED TO DECREASE CLOSURE**

**(Push Vent Out)**

Caldwell Manufacturing Company North America, LLC

Phone: (888) 347-7771

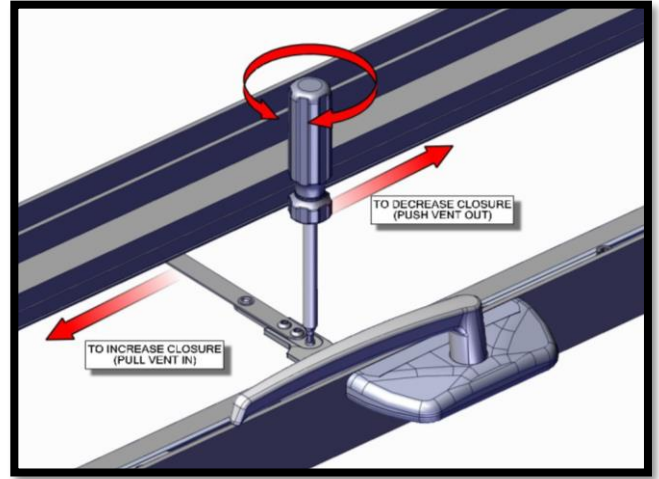
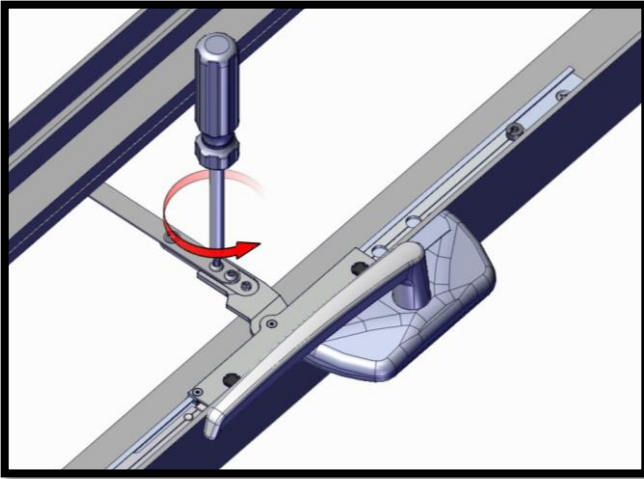
Fax: (585) 352-3729

Web: [www.caldwellmfgco.com](http://www.caldwellmfgco.com)

Email: [CSservice@caldwellmfgco.com](mailto:CSservice@caldwellmfgco.com)

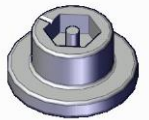
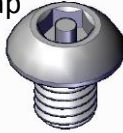


# OMNI DRIVE™ Installation Instructions (Euro-Groove)

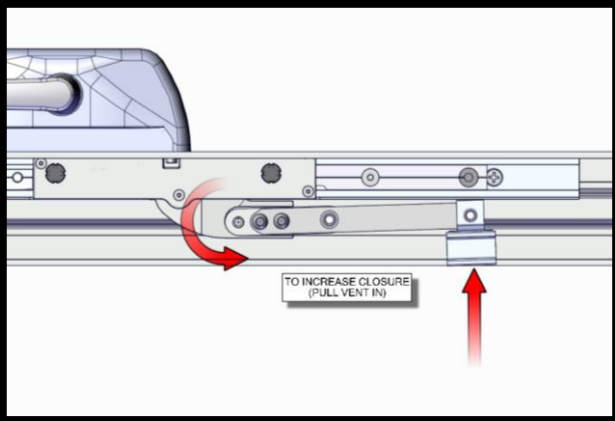


## To Start

Loosen the two 10-32 x 1/4" security head cap screws using a 5/32" security hex driver.

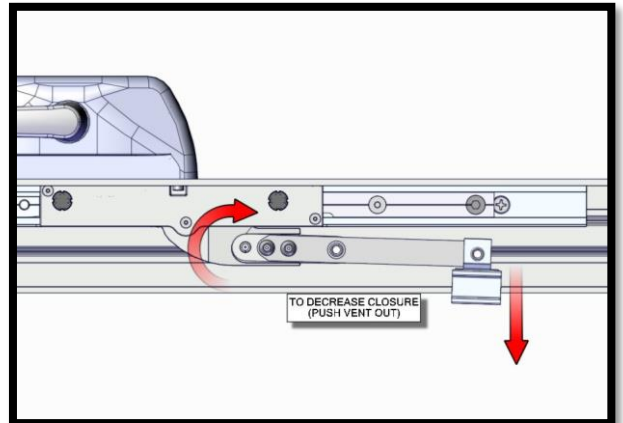


## To INCREASE Closure (Pull Vent In)



Insert the 5/32" security hex driver into the eccentric cam and rotate counter clockwise. Tighten the two 10-32 x 1/4" security head cap screws using a 5/32" security hex driver.

## To DECREASE Closure (Push Vent Out)



Insert the 5/32" security hex driver into the eccentric cam and rotate clockwise. Tighten the two 10-32 x 1/4" security head cap screws using a 5/32" security hex driver.

Caldwell Manufacturing Company North America, LLC

Phone: (888) 347-7771

Fax: (585) 352-3729

Web: [www.caldwellmfgco.com](http://www.caldwellmfgco.com)

Email: [CService@caldwellmfgco.com](mailto:CService@caldwellmfgco.com)

CSL-00015 Euro Groove Installation 11/30/18