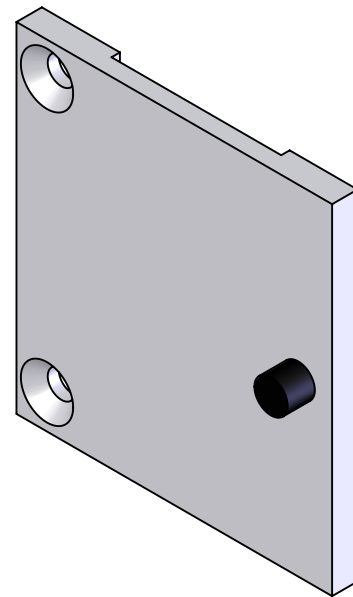
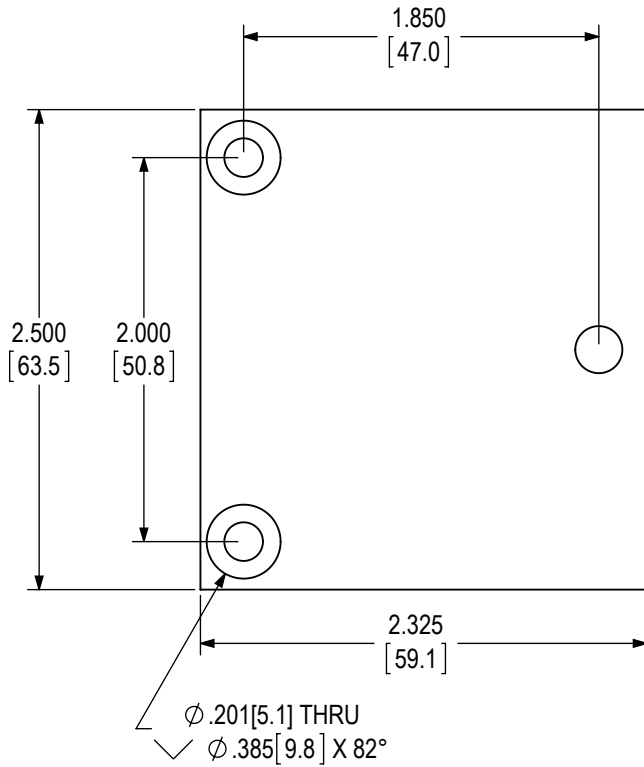
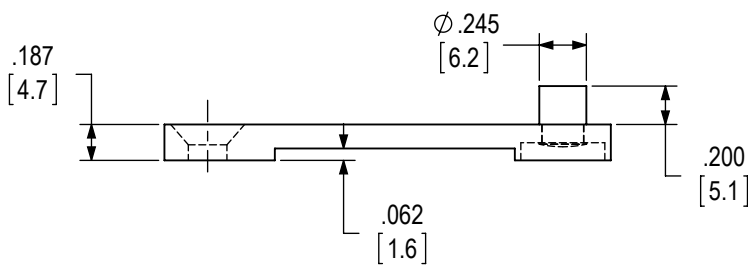


MAGNUM™ Hardware (1545 Offset Drive Plate)



1545 Offset Drive Plate



1545 twc; date 2/3/2015

Material : Aluminum Base
Stainless Steel Pin

ADVANTAGE™ MANUFACTURING
A Division of Caldwell Mfg Co

Phone: (585) 352-3790
Fax: (585) 352-3792

web: www.caldwellmfgco.com
email: CService@caldwellmfgco.com