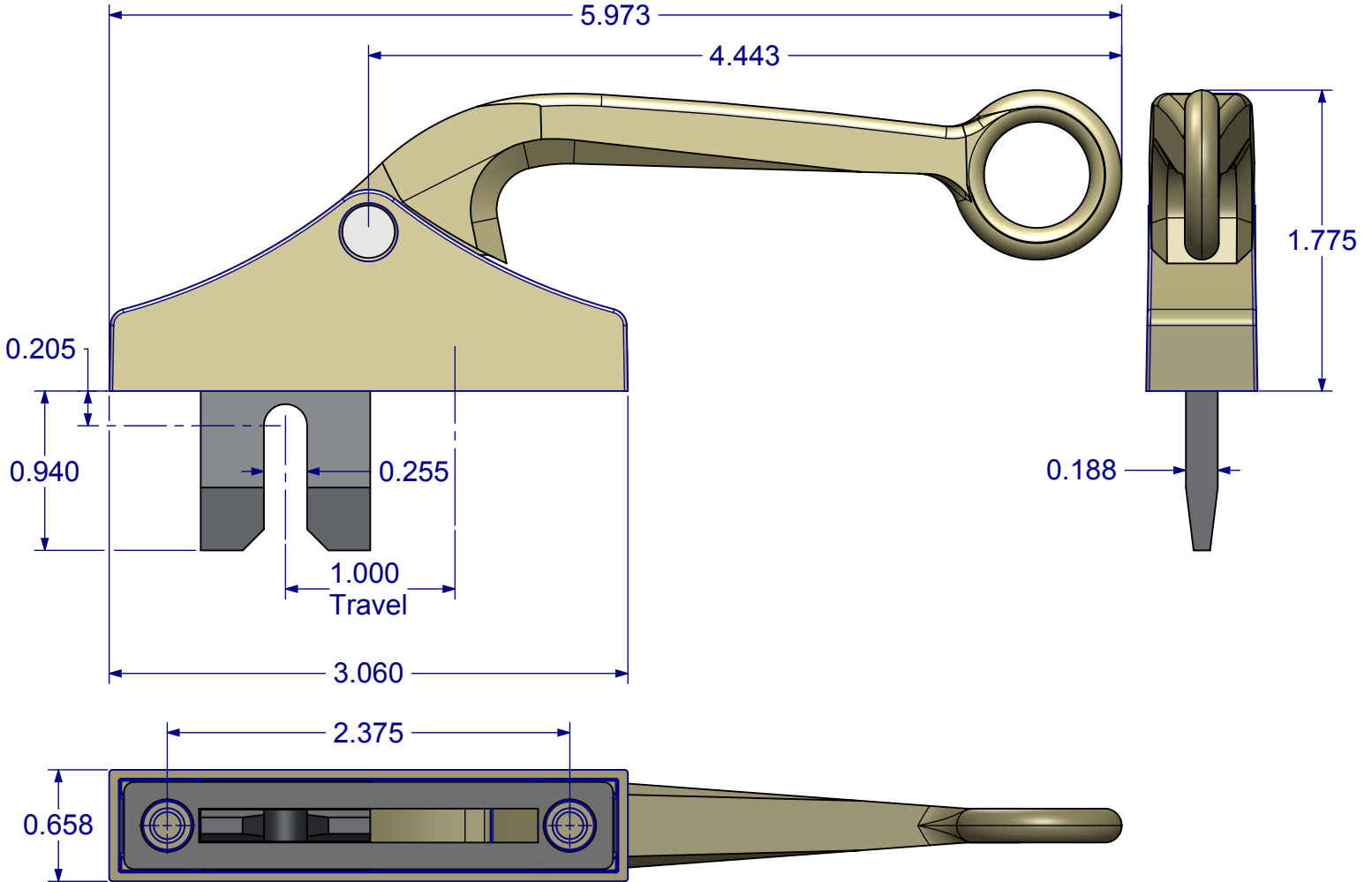


42C0009 Blind Mount Linear Handle (Fork Drive)



SCREW SPECIFIED AS PER THICKNESS OF WINDOW FRAME AT HANDLE MOUNTING LOCATION

Thickness (inch)	Screw
0.070-0.125	#10-32 x 0.500 Long

Standard Finish Options

Part #	Finish
42C0008D01	Black Powder Coat
42C0008D05	White Powder Coat

Special Order Finishes *

Part #	Finish
42C0008D02	Bronze
42C0008D03	Soft Nickel
42C0008D04	Silver

*Non-Standard Finishes - Minimum May Apply.

42C0009 Blind Mount Linear Handle, scale 1:1

