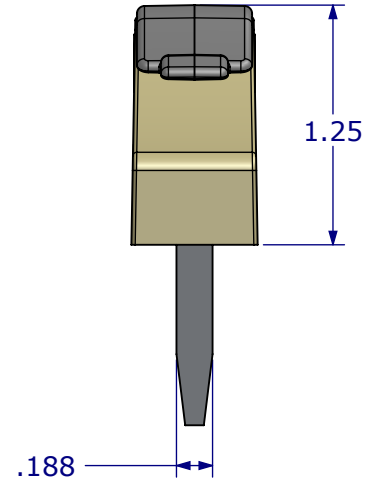
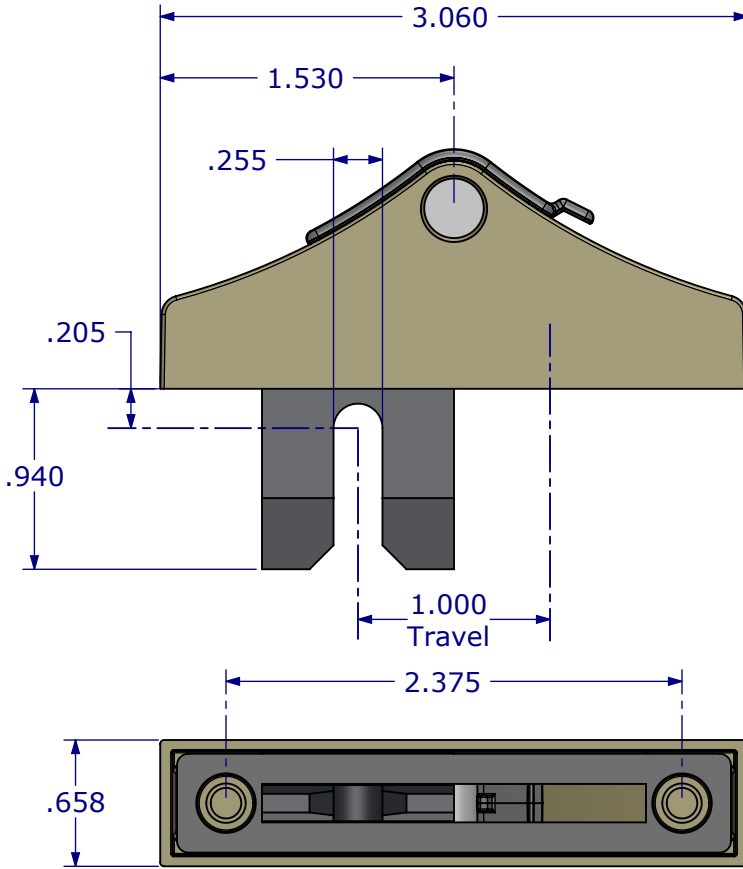




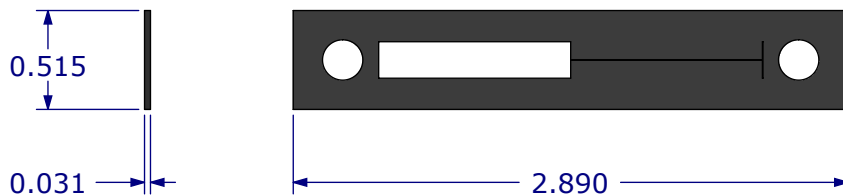
42C0006 Blind Mount Housing Assembly (Fork Drive)



SCREW SPECIFIED AS PER THICKNESS OF WINDOW FRAME AT HANDLE MOUNTING LOCATION	
THICKNESS (INCH)	SCREW
0.070 - 0.125	#10-32 X 0.500 LONG

**#42C0004 Custodial Handle,
Required to Operate this Housing**

#8205 Gasket



Standard Finish Options	
Part #	Finish
42C0006D01	Black Powder Coat
42C0006D05	White Powder Coat
Special Order Finishes *	
Part #	Finish
42C0006D02	Bronze
42C0006D03	Soft Nickel
42C0006D04	Silver
Plated	
42C0006E01	Satin Nickel
42C0006E02	Satin Chrome

*Non-Standard Finishes
- Minimum May Apply.