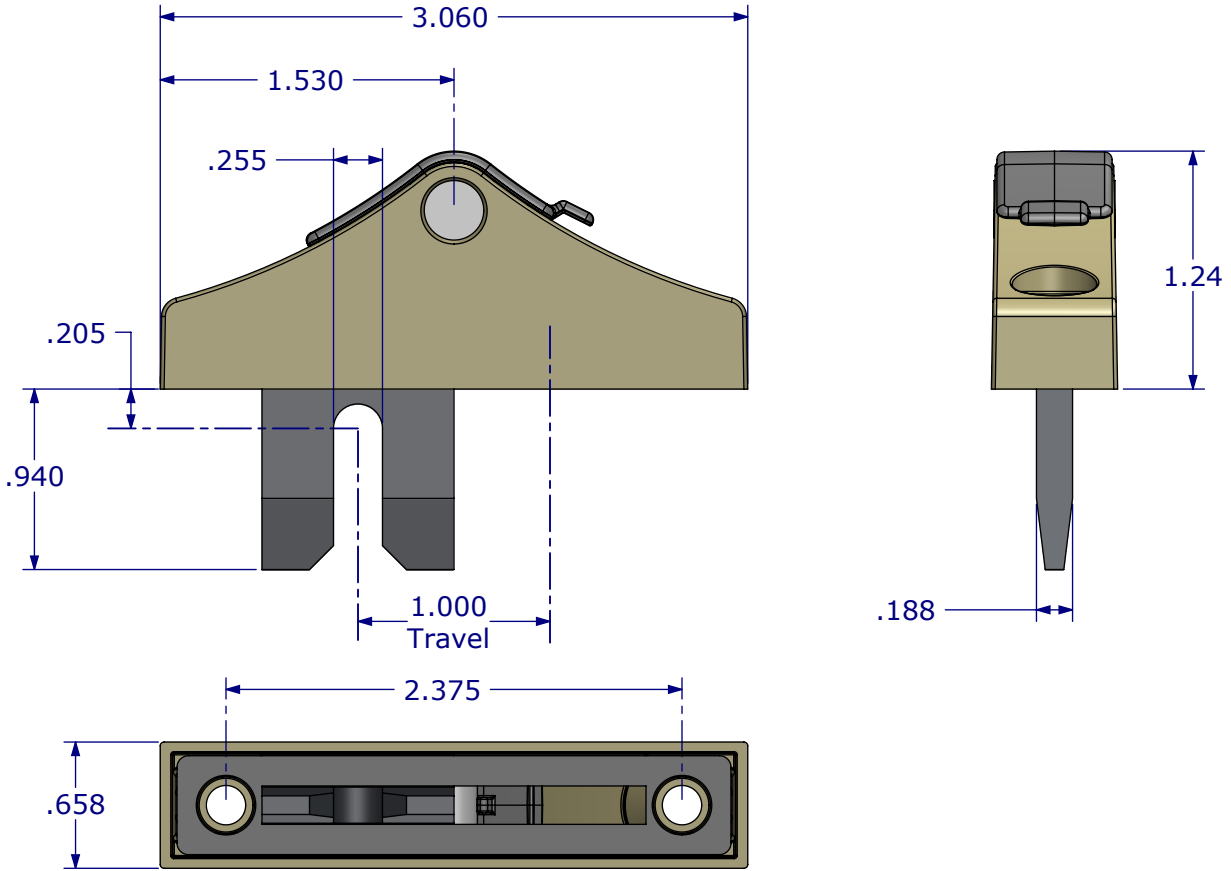




42C0005 Housing Assembly (Fork Drive)

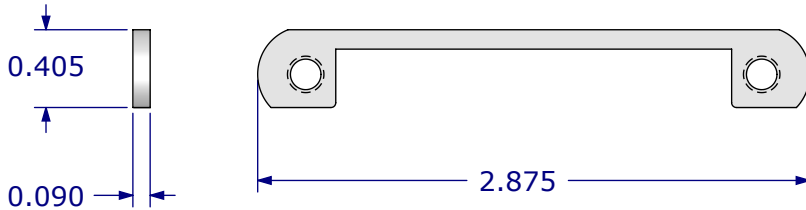


When mounting thru material .125" or thicker, use (2) #10 x 3/4" SS Flat or Oval head screws of your choice)

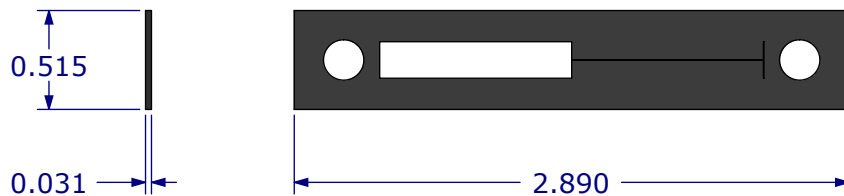
#42C0004 Custodial Handle, Required to Operate this Housing

#8221 BACKER PLATE

(Use when mounting thru material less than .125" thick.
(2) #10-32 x 3/4" SS Flat or Oval head screws required)



#8205 Gasket



Standard Finish Options	
Part #	Finish
42C0005D01	Black Powder Coat
42C0005D05	White Powder Coat
Special Order Finishes *	
Part #	Finish
42C0005D02	Bronze
42C0005D03	Soft Nickel
42C0005D04	Silver
Plated	
42C0005E01	Satin Nickel
42C0005E02	Satin Chrome

*Non-Standard Finishes
- Minimum May Apply.

co-42C0005 Housing Assembly Sht. 1 of 1 4/4/2016