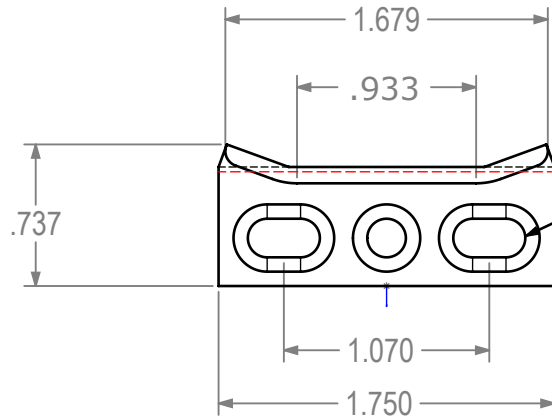
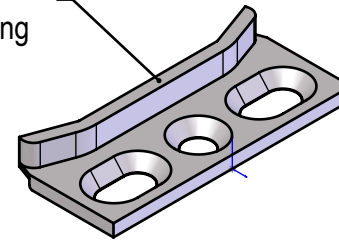


REVISIONS			
REV.	DESCRIPTION	DATE	BY
-	-	-	-
-	-	-	-
-	-	-	-

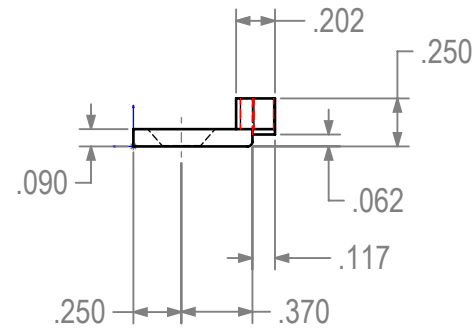
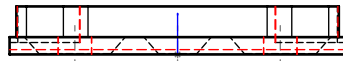


Mount Using  
#10 UC FH S/S Screws

Cast Stainless Steel  
w/Black Coating



**42D0019 Keeper**



Dimensions Are For Reference Purposes Only

Solutions That Set New Standards <b>CALDWELL</b> Since 1888				
Manufacturing Company 2605 Manitou Road, Rochester, New York				
TITLE <b>42D0019 Keeper for MPL Systems</b>				
THIRD ANGLE PROJECTION 	DRAWN HV	DATE 4/4/16		
	CHECKED -	DATE -		
	APPROVED	DATE		
A SIZE	EX NO -	DWG NO <b>42D0006</b>	REV	-
SCALE 1:1	SHEET 1 OF 1			