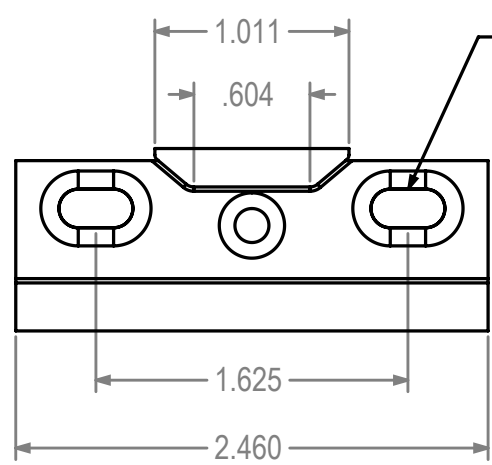
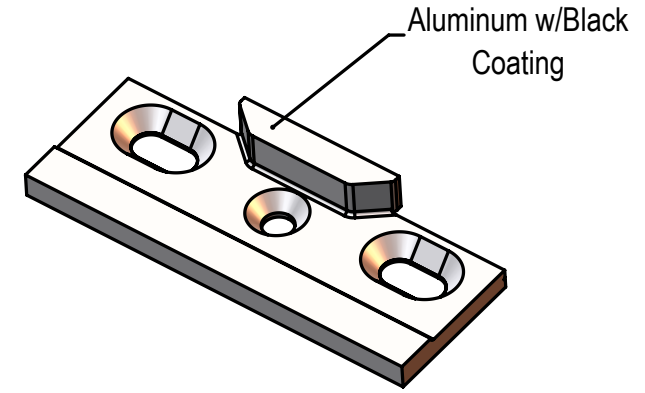


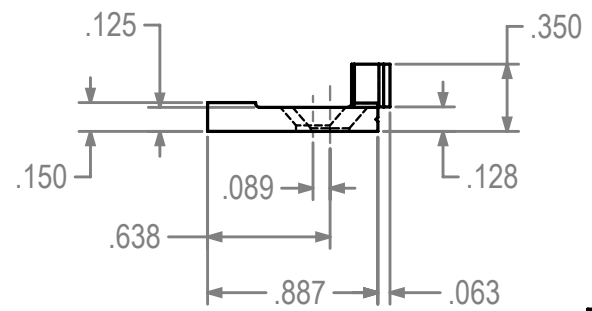
REVISIONS			
REV.#	DESCRIPTION	DATE	BY



Mount Using #10 UC FH S/S Screws
Set Using #8 FH S/S Screw



8225-M1 Keeper for MPL Systems



Dimensions Are For Reference Purposes Only

Solutions That Set New Standards CALDWELL Since 1888				
Manufacturing Company 2605 Manitou Road, Rochester, New York				
TITLE 8225-M1 Keeper for MPL Systems (ADV)				
THIRD ANGLE PROJECTION	DRAWN HV	DATE 9/9/14		
	CHECKED	DATE		
	APPROVED	DATE		
A	EX NO	DWG NO	8225-M1 twc	REV
SIZE				0
SCALE 1:1	SHEET 1 OF 1			