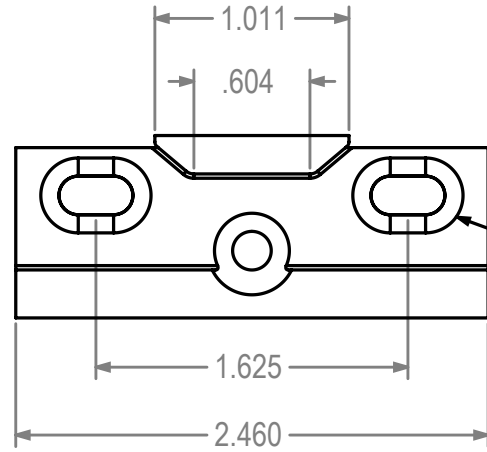
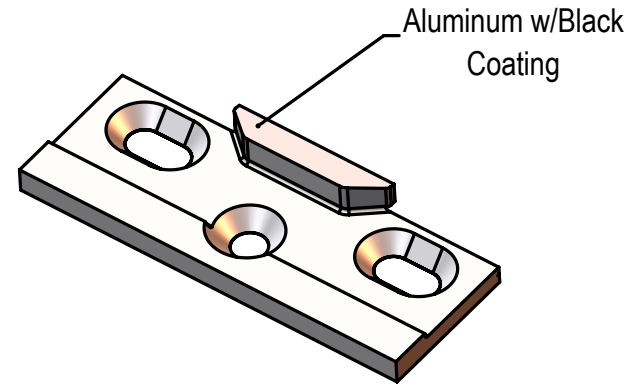


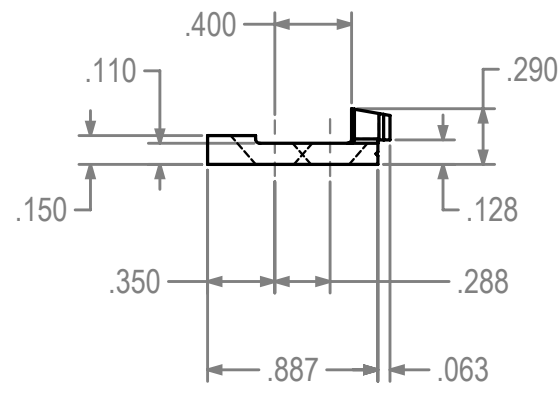
REVISIONS			
REV.#	DESCRIPTION	DATE	BY



Mount Using
#10 UC FH S/S Screws



8225-290 Keeper for MPL Systems



Dimensions Are For Reference Purposes Only

Solutions That Set New Standards CALDWELL Since 1888		
Manufacturing Company 2605 Manitou Road, Rochester, New York		
TITLE 8225-290 Keeper for MPL Systems (ADV)		
THIRD ANGLE PROJECTION	DRAWN HV	DATE 9/9/14
	CHECKED	DATE
	APPROVED	DATE
A	EX NO	DWG NO
SIZE		8225-290 twc
SCALE 1:1	SHEET 1 OF 1	REV 0