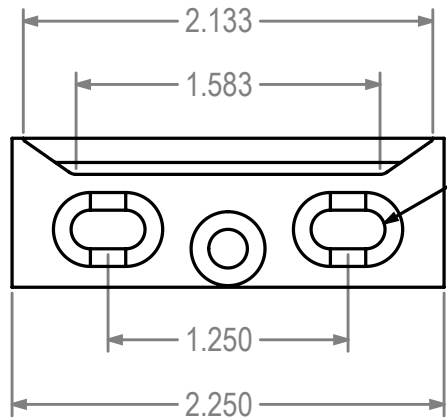
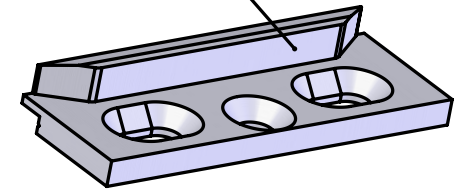


REVISIONS			
REV.#	DESCRIPTION	DATE	BY

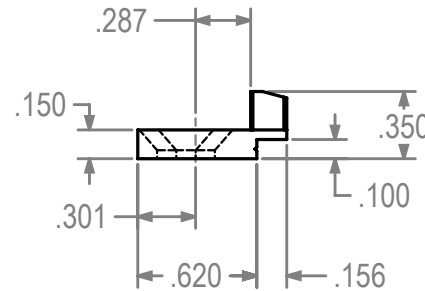
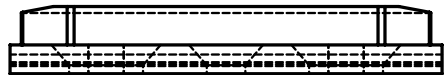


Mount Using  
#10 FH S/S Screws

Aluminum  
w/Black Coating



### 1553-002 Keeper for MPL Systems



Dimensions Are For Reference Purposes Only

Solutions That Set New Standards <b>CALDWELL</b> Since 1888		
Manufacturing Company 2605 Manitou Road, Rochester, New York		
TITLE <b>1553-002 Keeper for MPL Systems</b> (ADV)		
THIRD ANGLE PROJECTION 	DRAWN HV DATE 9/11/14	CHECKED DATE
	APPROVED DATE	
A SIZE	EX NO	DWG NO <b>1553-002 twc</b>
SCALE 1:1	SHEET 1 OF 1	REV 0