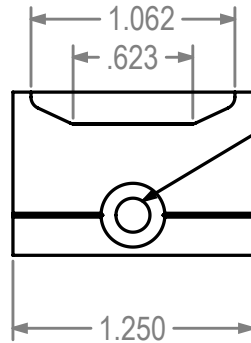
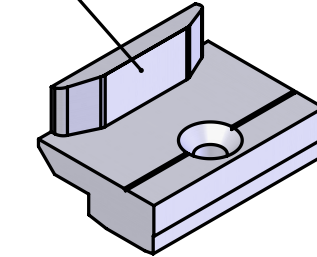


REVISIONS			
REV.#	DESCRIPTION	DATE	BY

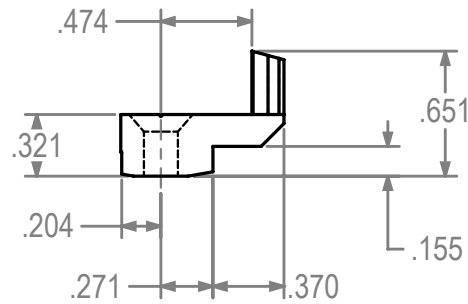
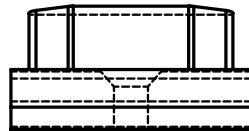


Mount Using #8
FH S/S Screw

Aluminum
w/Black Coating



1514 Keeper for MPL Systems



Dimensions Are For Reference Purposes Only

Solutions That Set New Standards CALDWELL Since 1888		
Manufacturing Company 2605 Manitou Road, Rochester, New York		
TITLE		(ADV)
1514 Keeper for MPL Systems		
THIRD ANGLE PROJECTION	DRAWN HV	DATE 9/11/14
	CHECKED	DATE
	APPROVED	DATE
A	EX NO	DWG NO
SIZE		1514 twc
SCALE 1:1	SHEET 1 OF 1	REV 0