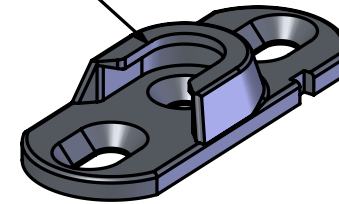


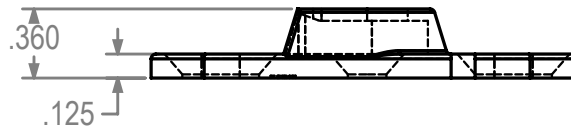
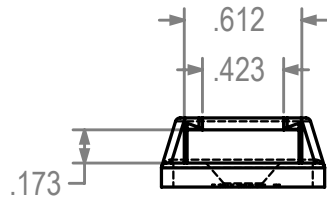
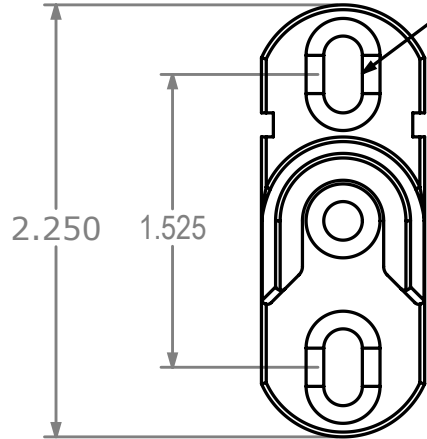
REVISIONS			
REV.#	DESCRIPTION	DATE	BY

Cast Stainless Steel  
w/Black Coating



### 1355 Keeper for MPL Systems

Mount Using #10  
FH S/S Screws



Dimensions Are For Reference Purposes Only

Solutions That Set New Standards <b>CALDWELL</b> Since 1888				
Manufacturing Company 2605 Manitou Road, Rochester, New York				
TITLE <b>1355 Keeper for MPL Systems</b> (ADV)				
THIRD ANGLE PROJECTION	DRAWN HV	DATE 9/11/14		
	CHECKED	DATE		
	APPROVED	DATE		
A	EX NO	DWG NO	<b>1355 twc</b>	REV
SIZE				0
SCALE 1:1	SHEET 1 OF 1			