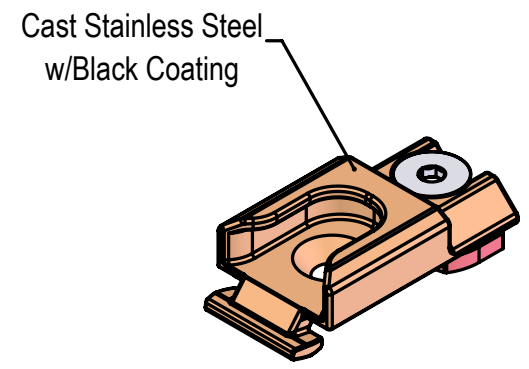
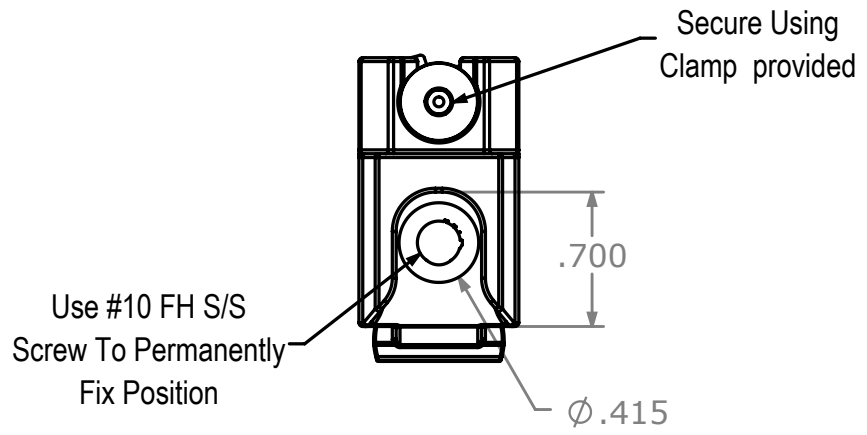
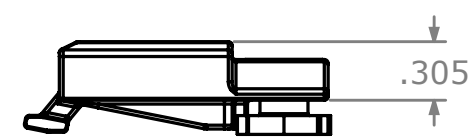
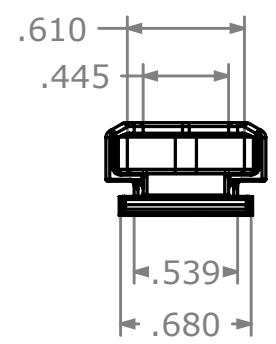


REVISIONS			
REV.#	DESCRIPTION	DATE	BY



1335-2 Keeper for MPL Systems



Dimensions Are For Reference Purposes Only

Solutions That Set New Standards CALDWELL Since 1888		
Manufacturing Company 2605 Manitou Road, Rochester, New York		
TITLE		(ADV)
1335-2 Keeper for MPL Systems		
THIRD ANGLE PROJECTION	DRAWN HV	DATE 9/11/14
	CHECKED	DATE
	APPROVED	DATE
A	EX NO	DWG NO
SIZE	1335-2 twc	
SCALE 1:1	SHEET 1 OF 1	REV 0