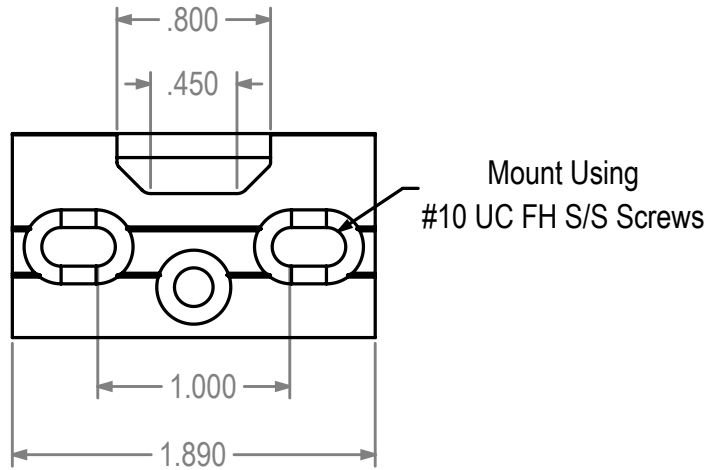
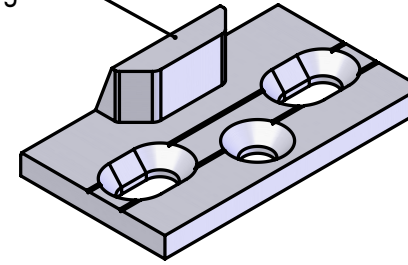


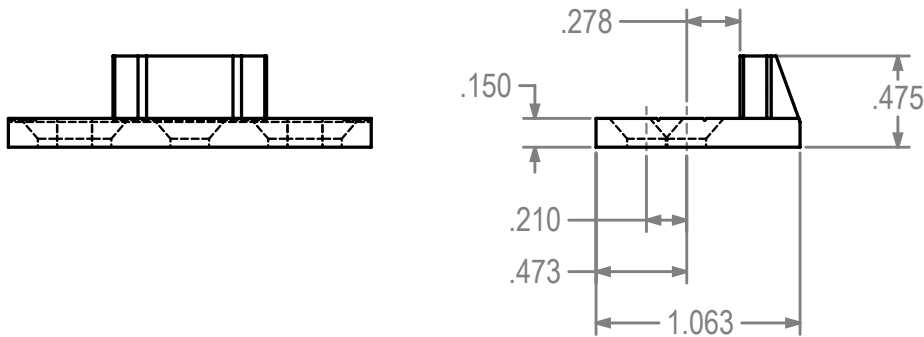
REVISIONS			
REV.#	DESCRIPTION	DATE	BY



Aluminum
w/Black Coating



1262-475 Keeper for MPL Systems



Dimensions Are For Reference Purposes Only

Solutions That Set New Standards CALDWELL Since 1888		
Manufacturing Company 2605 Manitou Road, Rochester, New York		
TITLE 1262-475 Keeper for MPL Systems (ADV)		
THIRD ANGLE PROJECTION 	DRAWN HV DATE 9/9/14	
	CHECKED DATE	
	APPROVED DATE	
A SIZE	EX NO	DWG NO 1262-475 twc
SCALE 1:1	SHEET 1 OF 1	REV 0