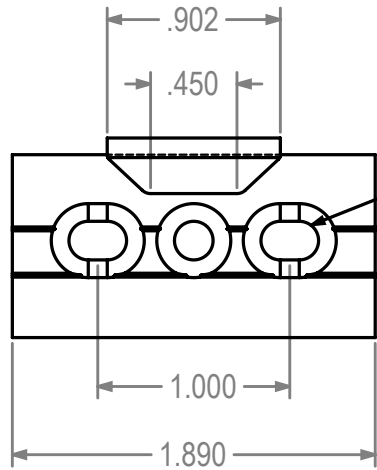
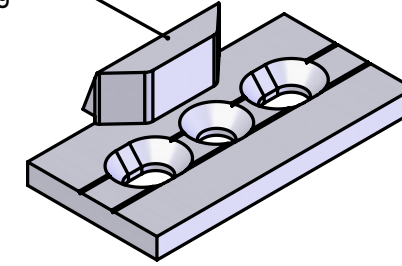


REVISIONS			
REV.#	DESCRIPTION	DATE	BY

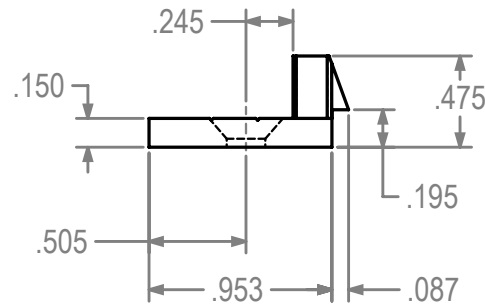
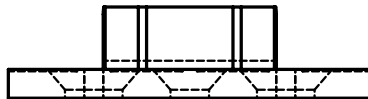


Mount Using  
#10 UC FH S/S Screws

Aluminum  
w/Black Coating



### 1148-475 Keeper for MPL Systems



Dimensions Are For Reference Purposes Only

Solutions That Set New Standards <b>CALDWELL</b> Since 1888			Manufacturing Company 2605 Manitou Road, Rochester, New York	
TITLE <b>1148-475 Keeper for MPL Systems</b> (ADV)				
THIRD ANGLE PROJECTION	DRAWN HV	DATE 9/9/14	CHECKED DATE	
	APPROVED	DATE	APPROVED DATE	
A	EX NO	DWG NO	<b>1148-475 twc</b>	REV
SIZE	SCALE 1:1	SHEET 1 OF 1		0