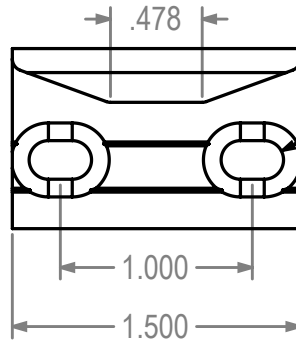
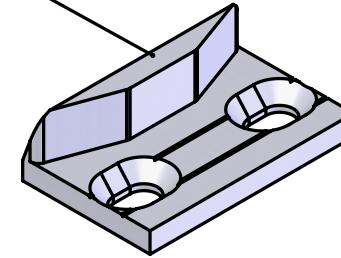


REVISIONS			
REV.#	DESCRIPTION	DATE	BY

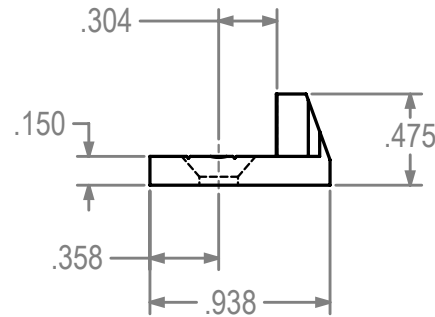
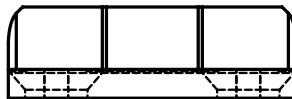


Mount Using
#10 UC FH S/S Screws

Aluminum
w/Black Coating



1132-475 Keeper for MPL Systems



Dimensions Are For Reference Purposes Only

Solutions That Set New Standards CALDWELL Since 1888		
Manufacturing Company 2605 Manitou Road, Rochester, New York		
TITLE		(ADV)
1132-475 Keeper for MPL Systems		
THIRD ANGLE PROJECTION	DRAWN HV	DATE 9/9/14
	CHECKED	DATE
	APPROVED	DATE
A	EX NO	DWG NO
SIZE		1132-475 twc
SCALE 1:1	SHEET 1 OF 1	REV 0