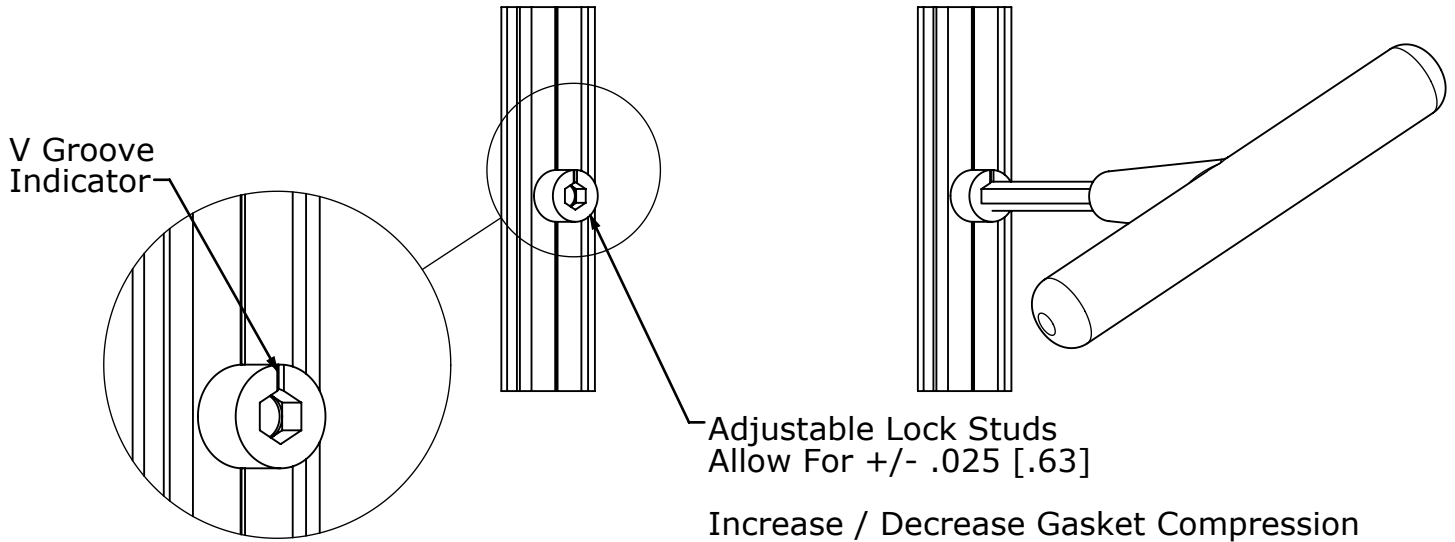




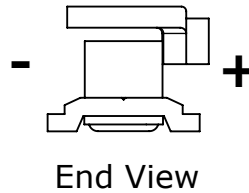
Lock Stud Adjustment

For Hardware Series

1315	8030	8032
8034	8035	8039
8300	8311	OMNI DRIVE™

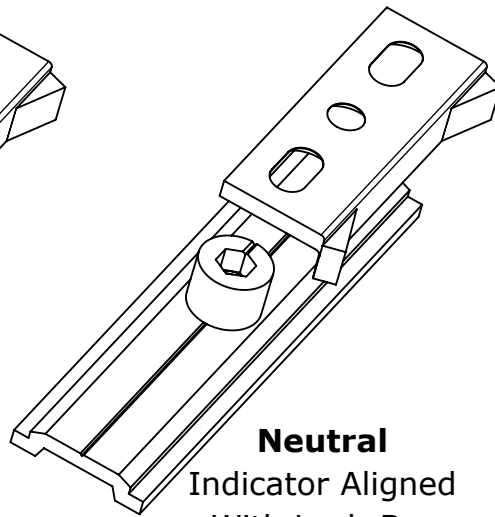
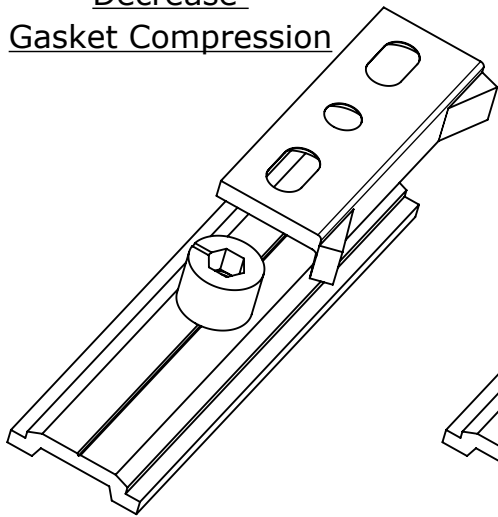


DETAIL A SCALE 2 : 1.5

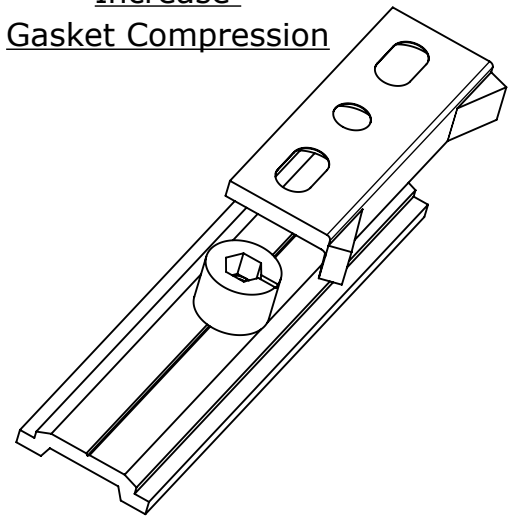


MINUS
Indicator Away From
Keeper - .025 [.63]
Decrease
Gasket Compression

PLUS
Indicator Towards
Keeper + .025 [.63]
Increase
Gasket Compression



Neutral
Indicator Aligned
With Lock-Bar
(AS SHIPPED)



CSL-00055 Sht. 1 of 1 4/4/2018