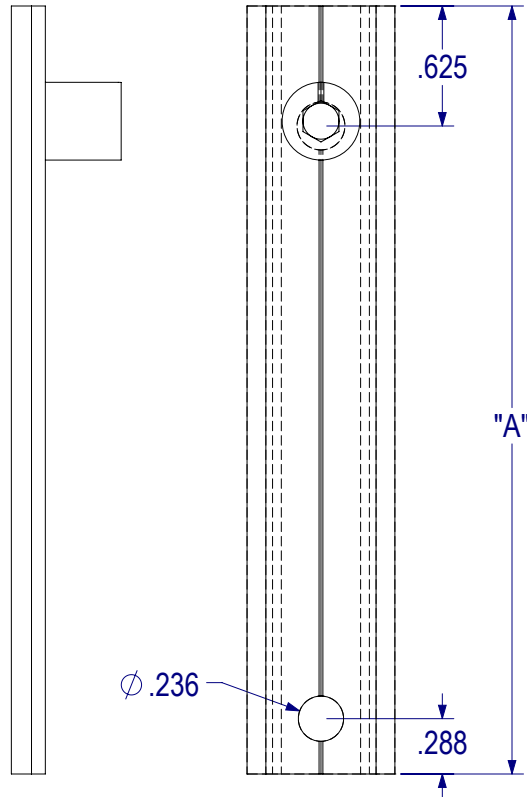


MAGNUM™ Hardware

(8032 Drive Rod, Standard Lock Stud)

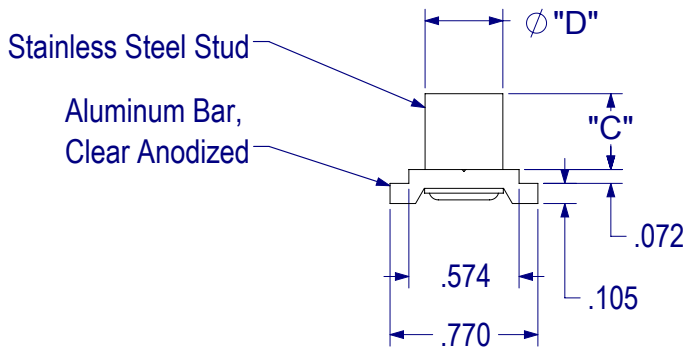


Drive Rod Length Stud

8032-"A"-"S "
(example 8032-10.22-S4)

Available Stud Sizes		
Stud	"C"	"D"
S1	0.195	0.438
S2	0.225	0.438
S3	0.338	0.405
S4	0.395	0.405
S5	0.462	0.405
S6	0.295	0.405

8030 Drive Rod



Fits 15mm X 20mm
Type 1 Eurogroove

8032 twc; date 1/14/2015