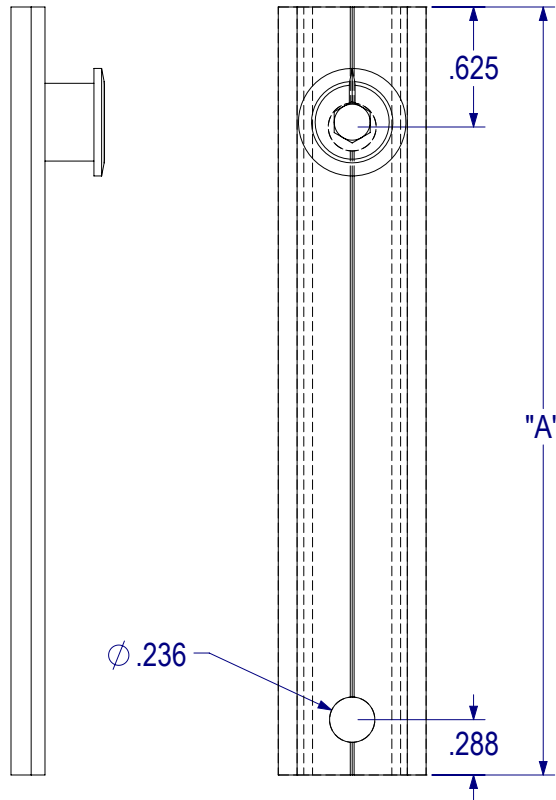


MAGNUM™ Hardware

(8032 Drive Rod, Impact Lock Stud)

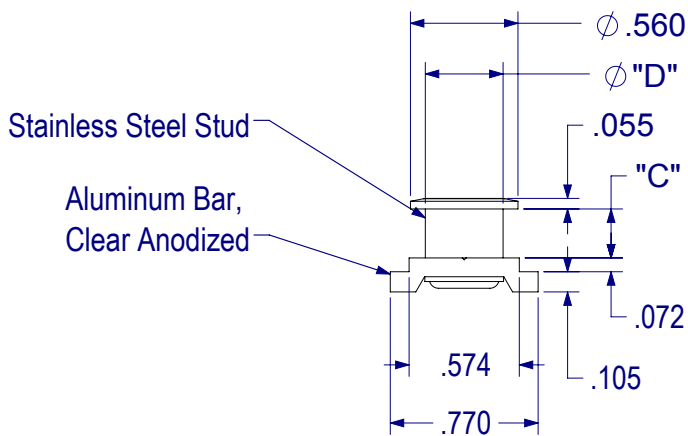


Drive Rod Length Stud

8038-"A"-"MC "
(example 8038-12.22-MC3)

Available Stud Sizes		
Stud	"C"	"D"
MC1	0.195	0.405
MC2	0.225	0.405
MC3	0.320	0.405
MC4	0.155	0.405

83030 Impact Drive Rod



Fits 15mm X 20mm
Type 1 Eurogroove

8032 impact twc; date 1/15/2015