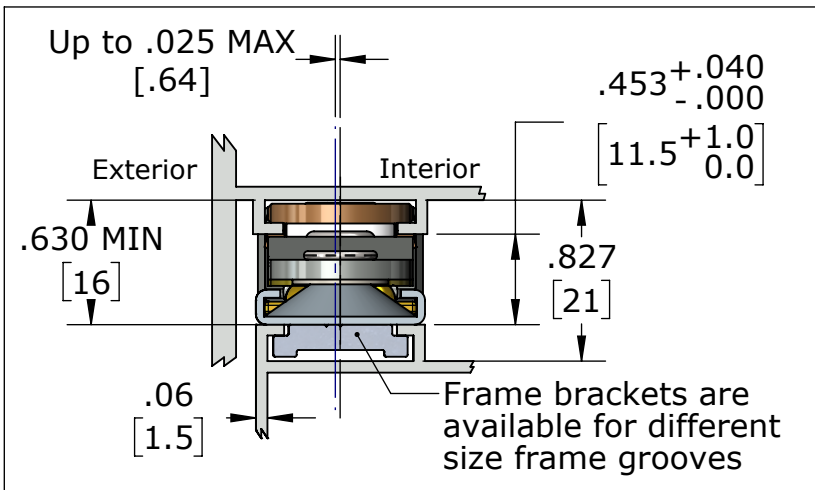


MAGNUM® Hinges

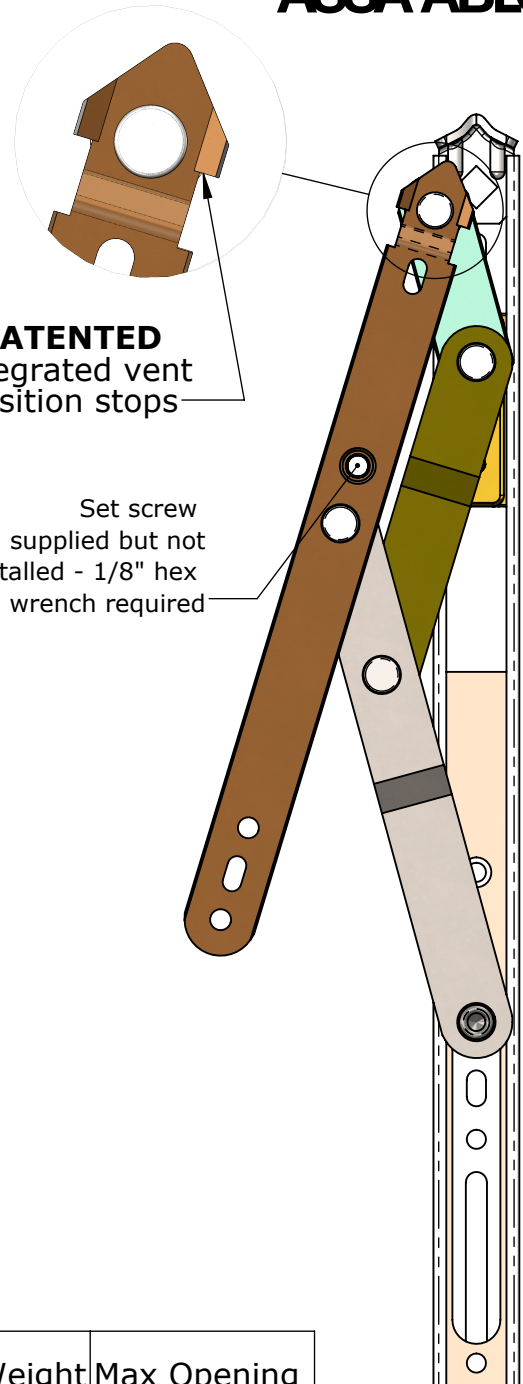
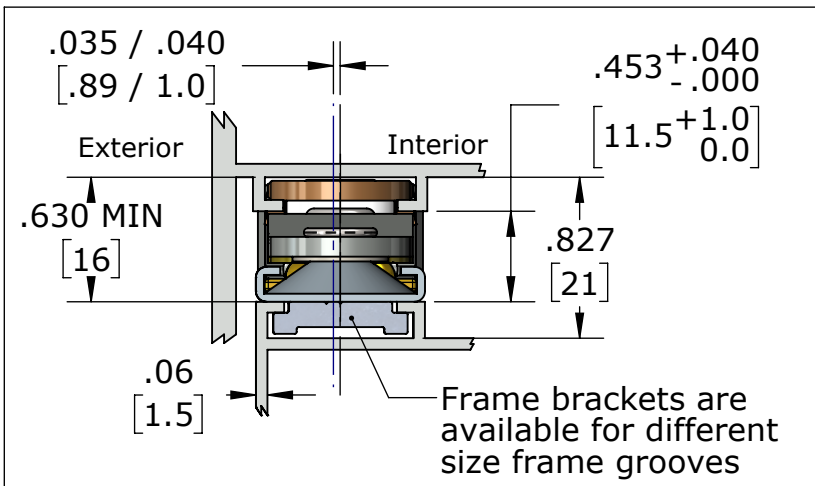
EZi (Easy Install)

10" Channel Mount Projection Hinges

TYPE 1 Eurogroove with .025 offset
40A2001 EZi Hinge (Groove A)



TYPE 1 Eurogroove with .040 offset
40A2003 EZi Hinge (Groove B)



PART #	Groove	Size	Vent Height	Vent Weight	Max Opening
40A2001	A	10" [254]	11 - 28 [280 - 711]	88 lbs [40 kg]	45°
40A2003	B	10" [254]	11 - 28 [280 - 711]	88 lbs [40 kg]	45°

Tensions Available: Architectural and Loose rivet.

Hinge Mounting: Use #10 or M5 stainless steel pan head screws.

Hinge Capacity: Vent size and weight should not exceed the stated capacity of the hinge.

Opening Degree: For vents in high winds, severely limited opening or limited for life safety, the use of additional Limit/Friction Devices may be required (ex: 177, 419, 716).