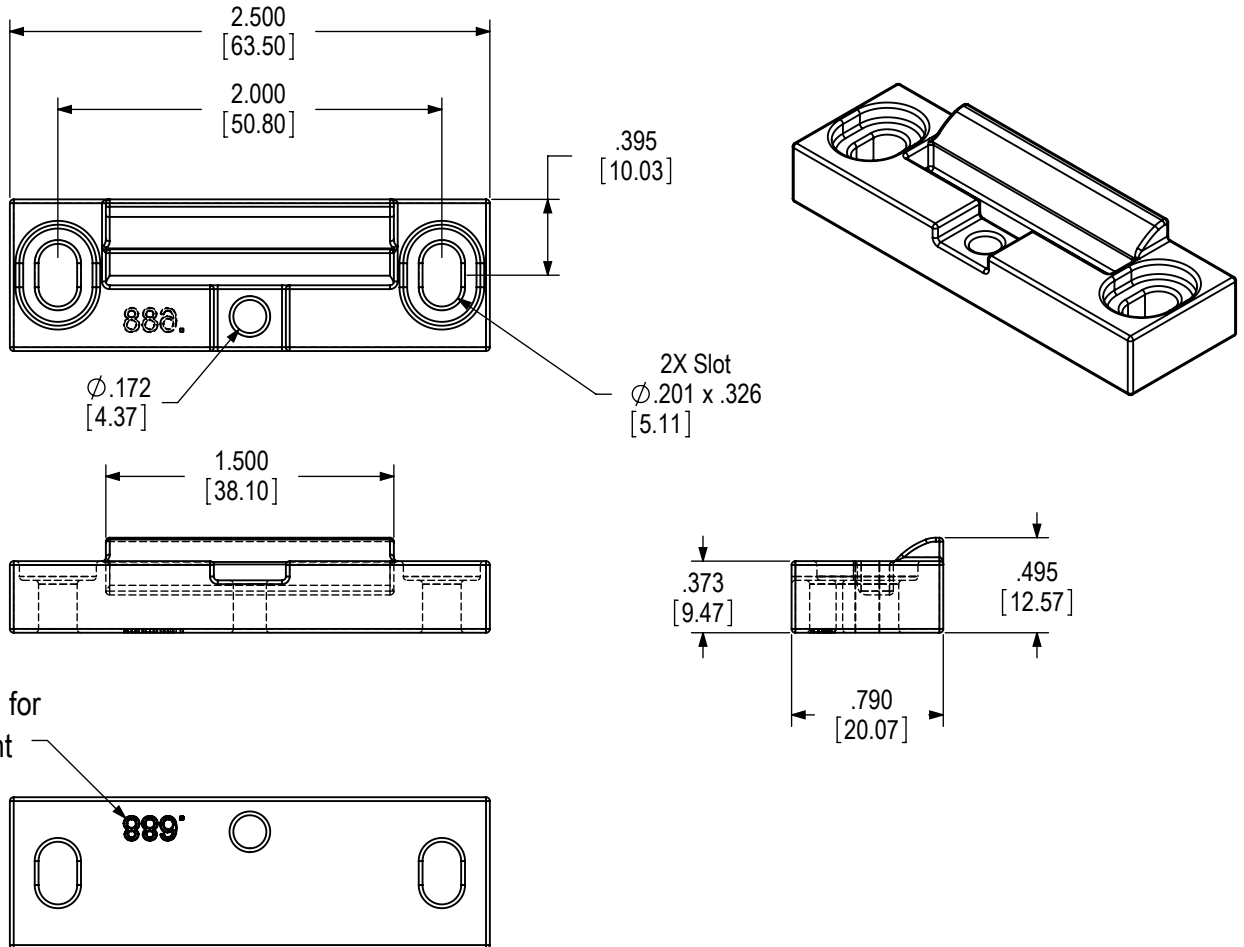


# MAGNUM™ Hardware

(617-688 Snubber Receiver)



**617-688 Snubber Receiver**

Material : Injection molded high impact plastic

**ADVANTAGE™ MANUFACTURING**  
A Division of Caldwell Mfg Co

Phone: (585) 352-3790  
Fax: (585) 352-3792

web: [www.caldwellmfgco.com](http://www.caldwellmfgco.com)  
email: [CSservice@caldwellmfgco.com](mailto:CSservice@caldwellmfgco.com)