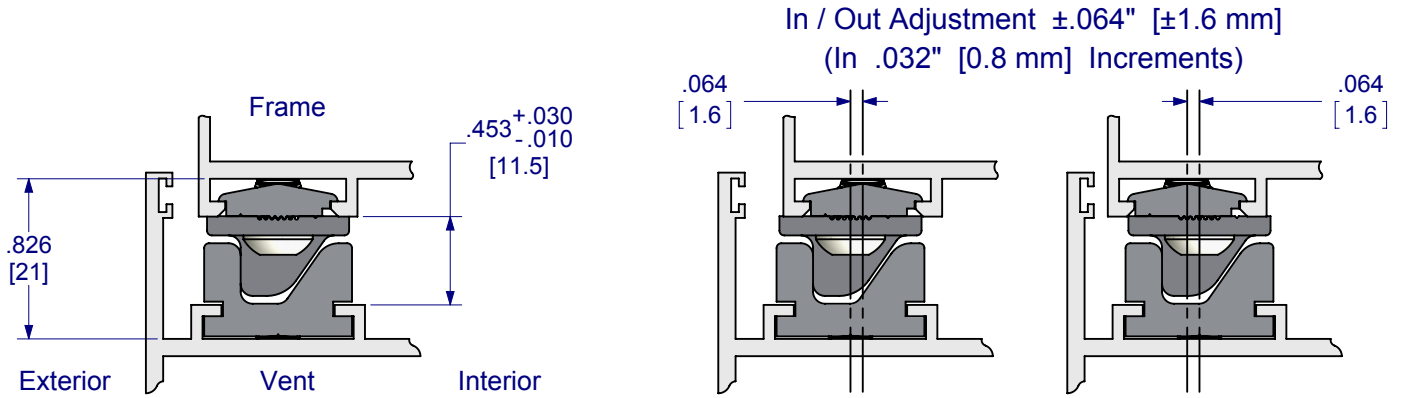
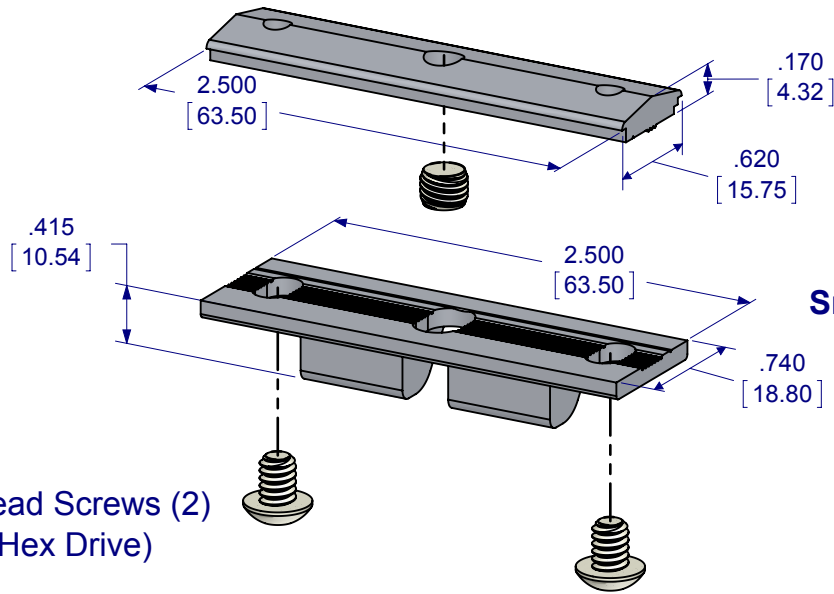


# 1678 Snubber

## Euro-Groove Adjustable



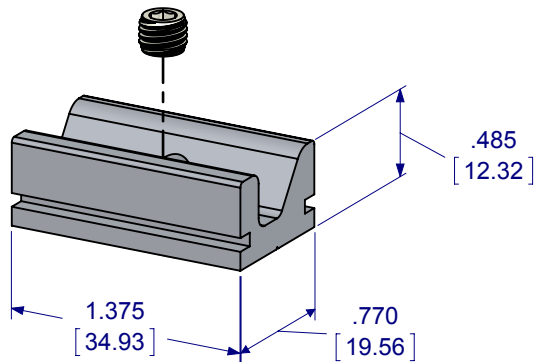
### Snubber Receiver Clamp



Button Head Screws (2)  
(1/8" Hex Drive)

Set Screws (2)  
(1/8" Hex Drive)

### Snubber Driver



Positive and negative pressure containment. Adjustable  $\pm 0.064$  [±1.6 mm].  
#1678 Snubber includes driver, receiver, clamp, set screws and button head screws.

Material: 6000 series aluminum with black coating.

1678 twc; date 1/22/2015