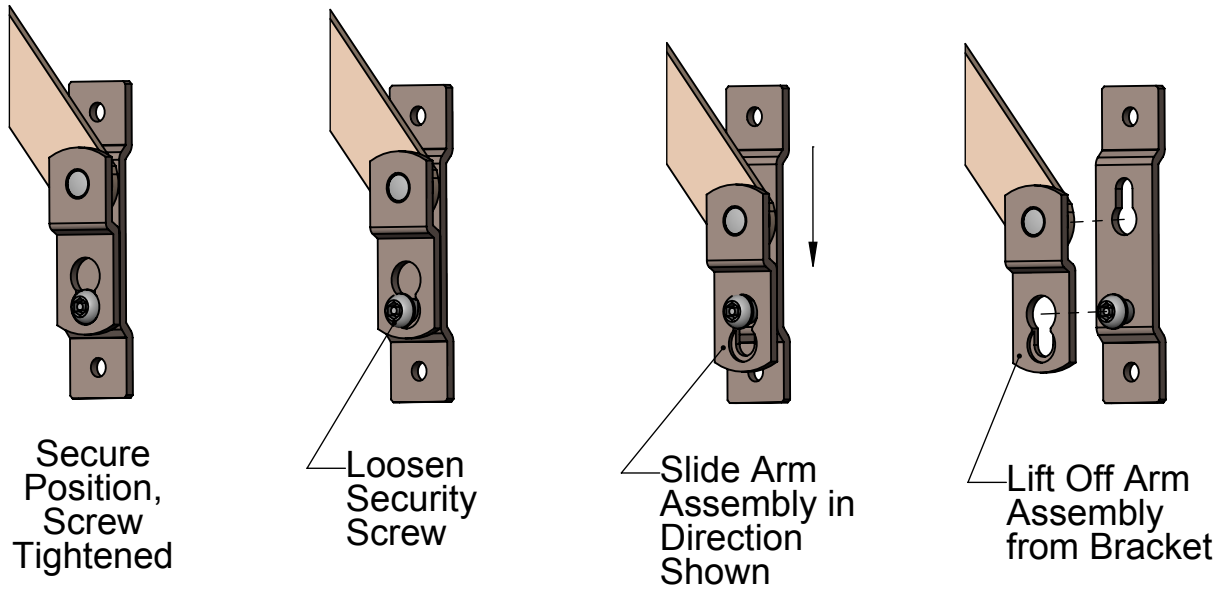


MAGNUM™ Hinges (Keyed Bracket Instructions)



The Keyed Bracket shown is found on many Magnum Hardware Limiting Devices.

The illustrations show how to release the Keyed Bracket. To Reinstall just reverse the procedure.

NOTE that Keyed limit Devices must be in their "Secure Position" at all times to function properly.

Only trained personnel should release the Keyed Bracket for window maintenance.

keyed bracket twc; date 2/2/2015

Approved driver/key for Security Screw



#422 Tamper Resistant Driver



#499 Tamper Resistant Key