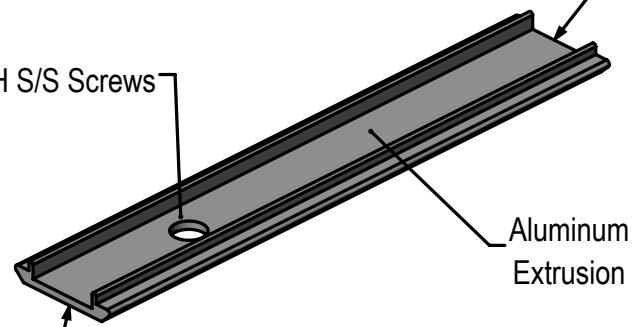


REVISIONS			
REV.#	DESCRIPTION	DATE	BY

Hinge Shoe to Rest Against This Surface When Hinge is Fully Opened

Mount Using (1)#10 PH S/S Screws

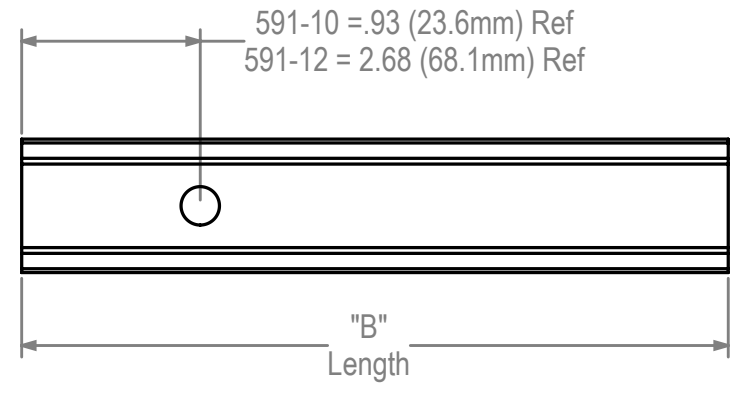


Aluminum Extrusion

Stop in Hinge to Rest Against This Surface When Installed

Part#	"B"	Comment
591-10	3.68(93.5mm)	10" Hinges, Customer Cut to Length
591-12	6.18(173.0mm)	12" Hinges, Customer Cut to Length
591-10-"B"	Customer Designated	10" Hinges
591-12-"B"	Customer Designated	12" Hinges

591-(Hinge Size)-"B"
In Hinge Limit Device for Casement Hinges



When ordering a special length the "B" dimension is required. Example, if for a 10" hinge and the "B" = 2.47" then order 591-10-2.47

Dimensions Are For Reference Purposes Only

Solutions That Set New Standards
CALDWELL
Since 1888

Manufacturing Company 2605 Manitou Road, Rochester, New York

TITLE **591 In Hinge Limit Device for Casement Hinges (ADV)**

THIRD ANGLE PROJECTION

DRAWN HV DATE 8/14/14

CHECKED DATE

APPROVED DATE

A EX NO DWG NO **591 twc** REV 0

SCALE 1:1 SHEET 1 OF 1