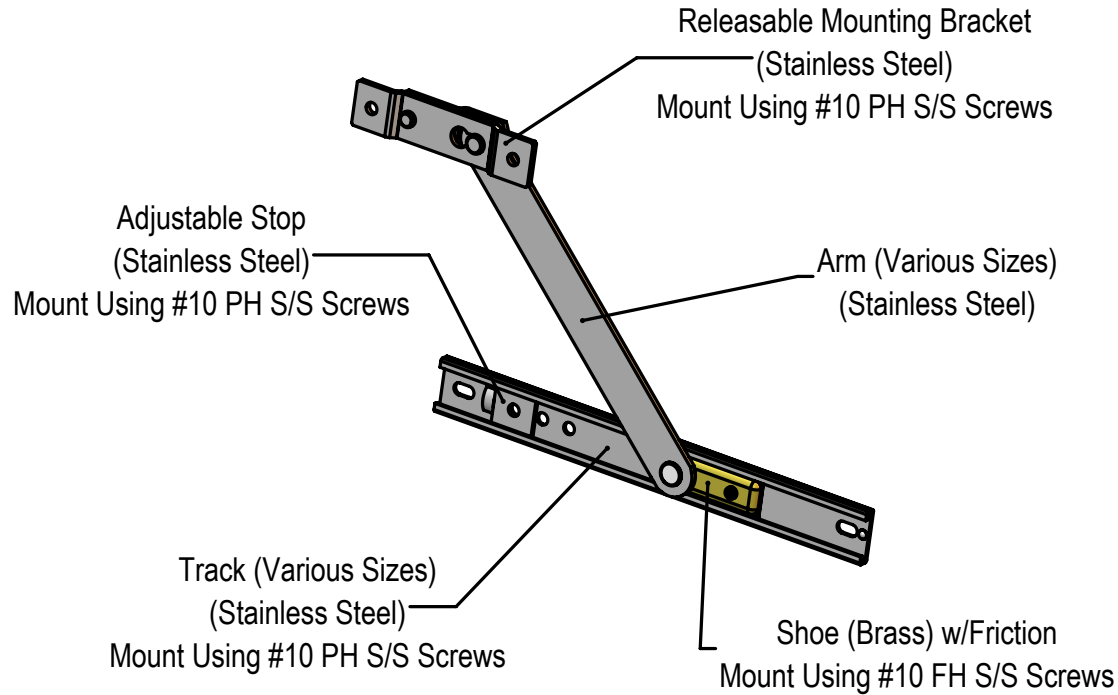
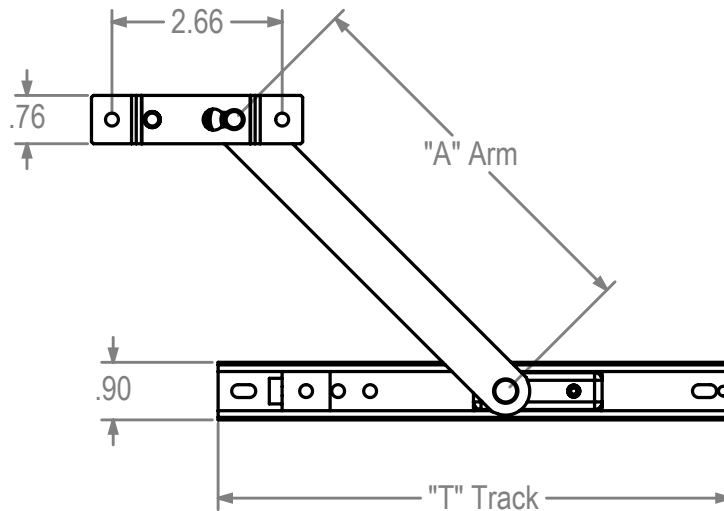


REVISIONS			
REV.#	DESCRIPTION	DATE	BY



Part#	"A"	"T"
419-5-6	5 (127mm)	6 (152mm)
419-6-6	6 (152mm)	6 (152mm)
419-6-7.25	6 (152mm)	7.25 (184mm)
419-6-8	6 (152mm)	8 (203mm)
419-6-10	6 (152mm)	10 (254mm)
419-7-6	7 (178mm)	6 (152mm)
419-7-7.25	7 (178mm)	7.25 (184mm)
419-7-8	7 (178mm)	8 (203mm)
419-8-6	8 (203mm)	6 (152mm)
419-8-7.25	8 (203mm)	7.25 (184mm)
419-8-8	8 (203mm)	8 (203mm)
419-8-10	8 (203mm)	10 (254mm)
419-9-6	9 (229mm)	6 (152mm)
419-9-7.25	9 (229mm)	7.25 (184mm)
419-10-7.25	10 (254mm)	7.25 (184mm)
419-10-8	10 (254mm)	8 (203mm)
419-10-10	10 (254mm)	10 (254mm)
419-10-12	10 (254mm)	12 (305mm)
419-11-7.25	11 (279mm)	7.25 (184mm)
419-11-8	11 (279mm)	8 (203mm)
419-12-8	12 (305mm)	8 (203mm)
419-12-10	12 (305mm)	10 (254mm)
419-12-12	12 (305mm)	12 (305mm)
419-12-16	12 (305mm)	16 (406mm)
419-12-18	12 (305mm)	18 (457mm)
419-14-18	14 (356mm)	18 (457mm)



### 419 Keyed Limit Device

Dimensions Are For Reference Purposes Only

Solutions That Set New Standards  
**CALDWELL**  
 Since 1888

Manufacturing Company 2605 Manitou Road, Rochester, New York

TITLE: **419 Keyed Limit Device** (ADV)

THIRD ANGLE PROJECTION

DRAWN: HV DATE: 8/4/14  
 CHECKED: DATE:   
 APPROVED: DATE:   
 DWG NO: **419 twc** REV: 0

SCALE: 1:3 SHEET 1 OF 1