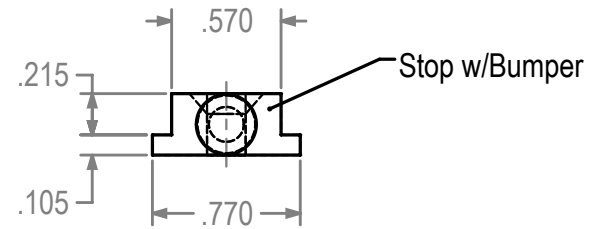
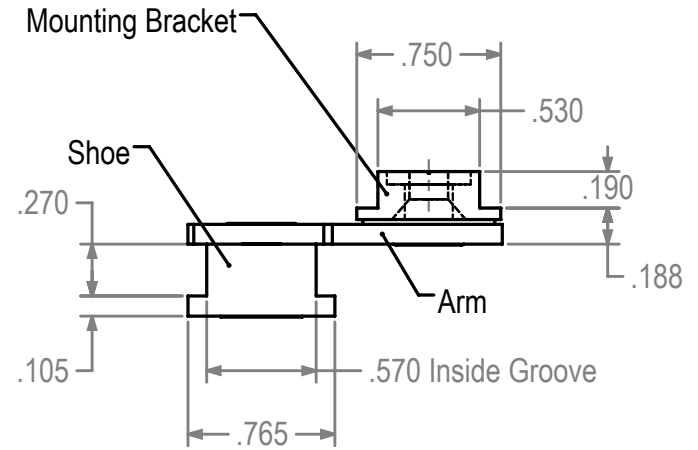
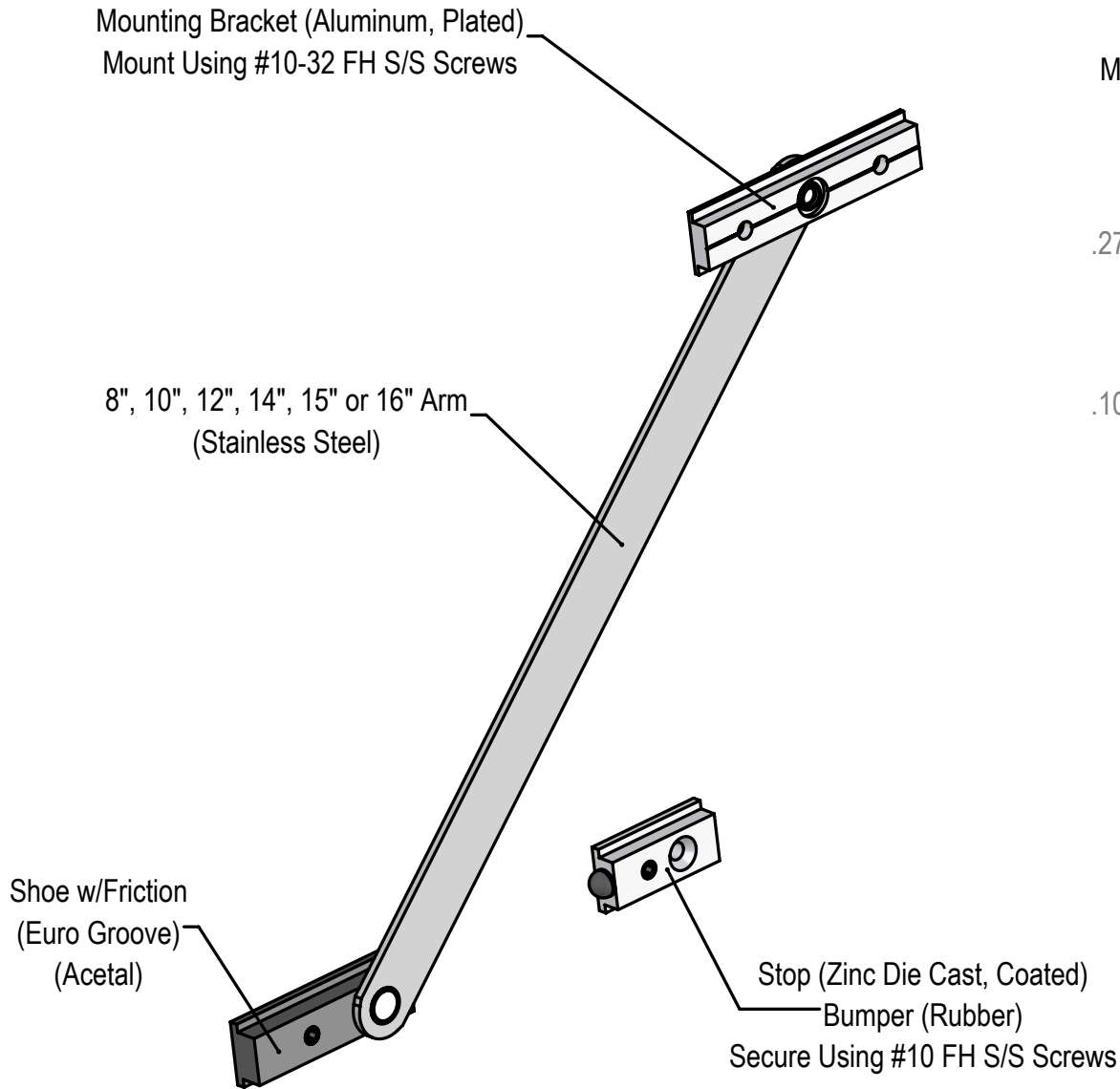


REVISIONS			
REV.#	DESCRIPTION	DATE	BY



Dimensions Are For Reference Purposes Only

1318 Euro Groove Friction Adjuster

Solutions That Set New Standards CALDWELL Since 1888		
Manufacturing Company 2605 Manitou Road, Rochester, New York		
TITLE 1318 Euro Groove Friction Adjuster (ADV)		
THIRD ANGLE PROJECTION	DRAWN HV	DATE 8/11/14
	CHECKED	DATE
	APPROVED	DATE
A	EX NO	DWG NO
SIZE		1318 twc
SCALE 1:1	SHEET 1 OF 1	REV 0