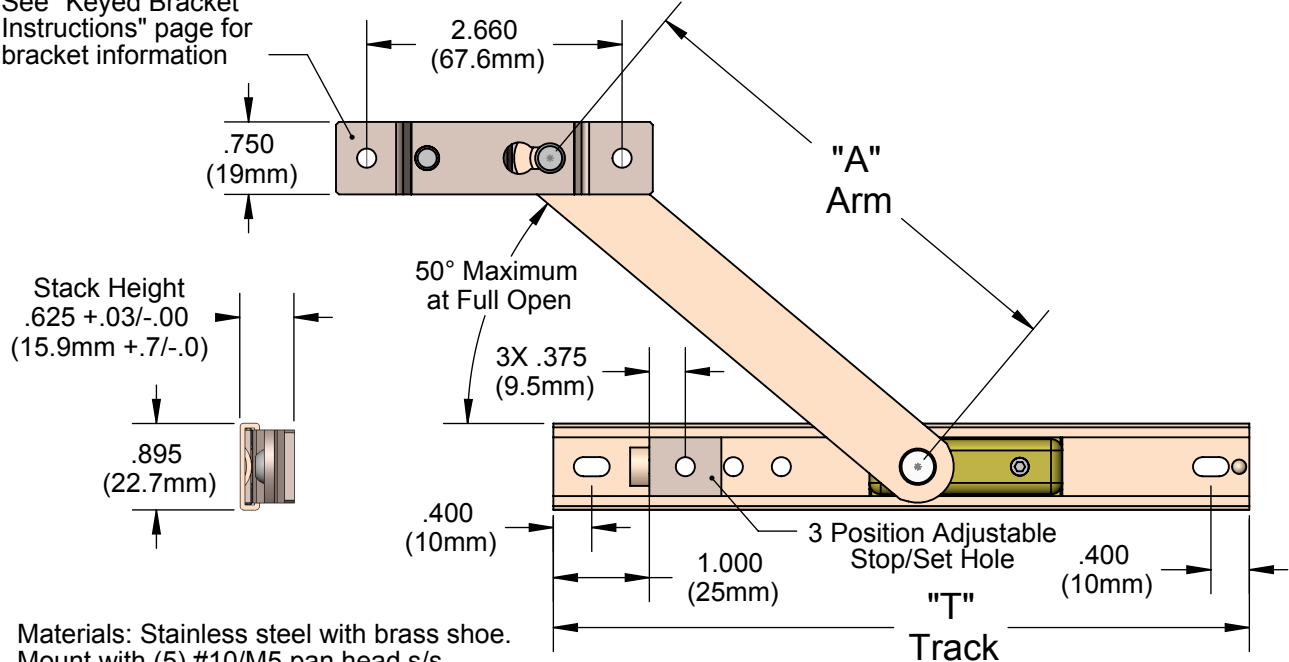
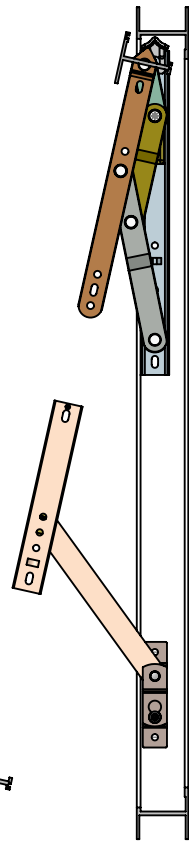


**MAGNUM™ Hinges**  
(419 Keyed Limit Devices)

See "Keyed Bracket Instructions" page for bracket information



Materials: Stainless steel with brass shoe.  
Mount with (5) #10/M5 pan head s/s screws (not supplied). Tamper resistant screws recommended.



Hinge

Typical 419 Keyed Limit Device Mounting

419 Keyed Limit Device

419 mount twc; date 2/2/2015