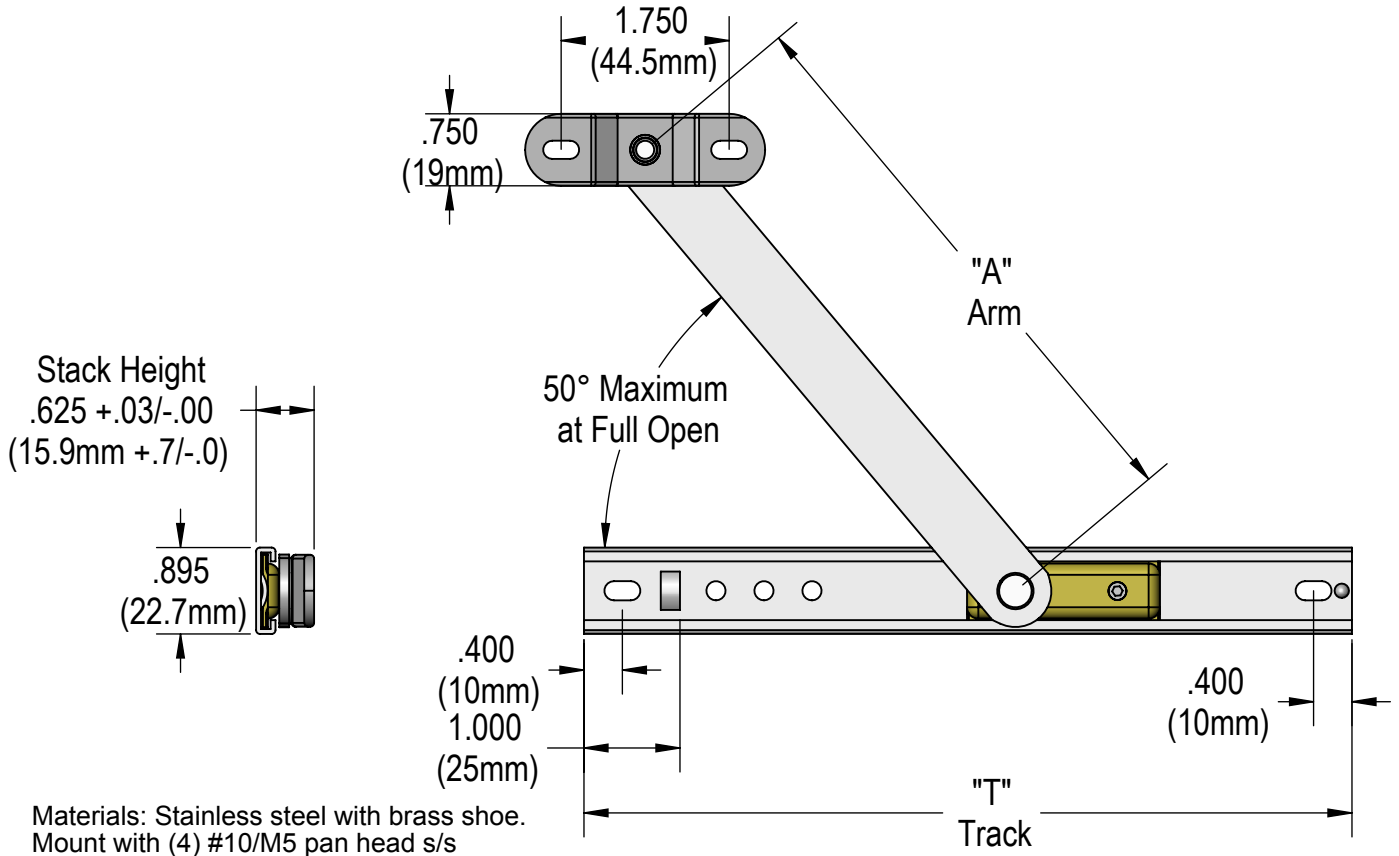
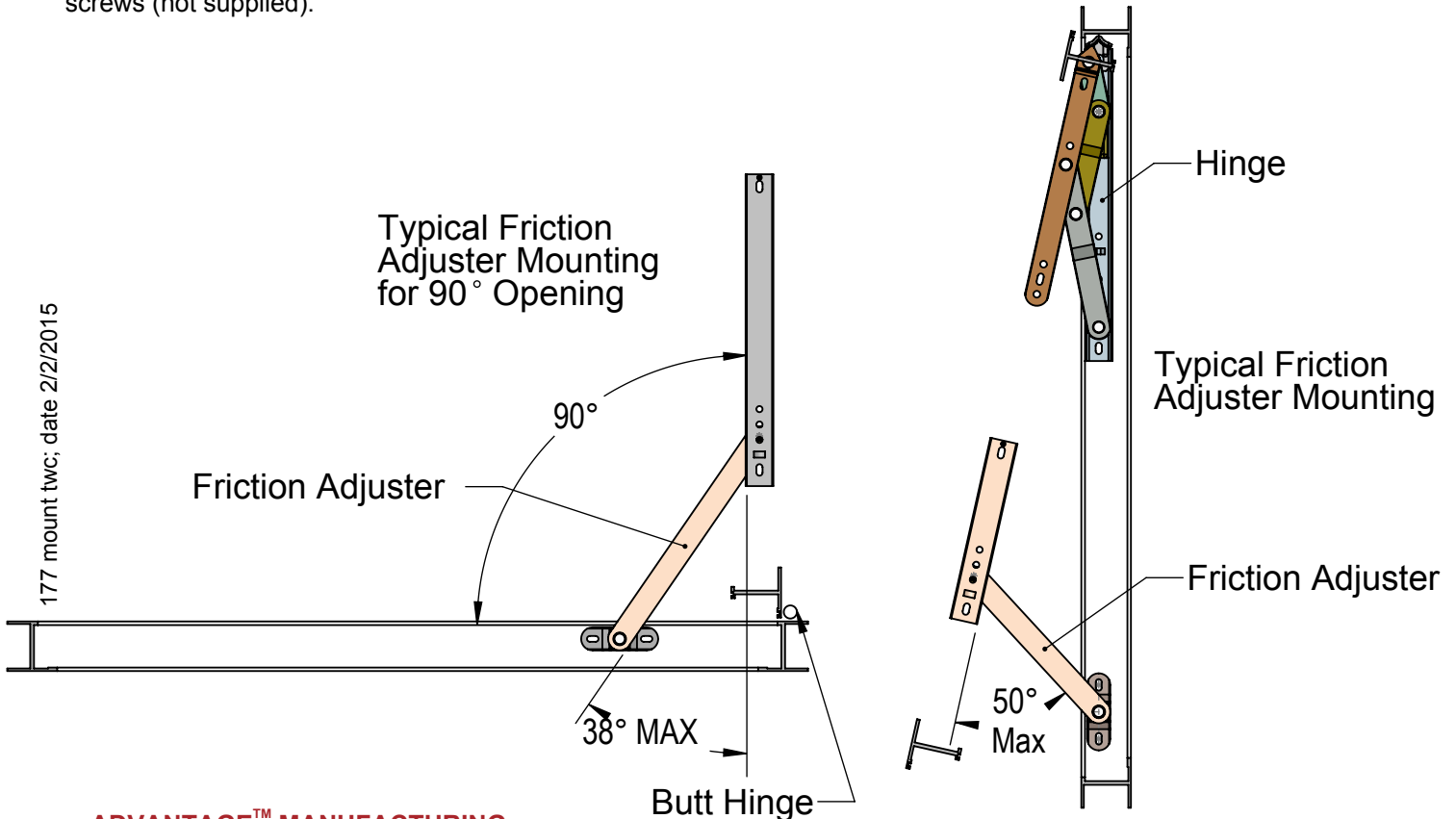


MAGNUM™ Hinges (Friction Adjuster / Limit Devices)



Materials: Stainless steel with brass shoe.
Mount with (4) #10/M5 pan head s/s screws (not supplied).



ADVANTAGE™ MANUFACTURING
A Division of Caldwell Mfg Co

Phone: (585) 352-3790
Fax: (585) 352-3792

web: www.caldwellmfgco.com
email: CService@caldwellmfgco.com