



Interlock USA Product Catalog

INTERLOCK™
ASSA ABLOY

ASSA ABLOY, the global leader
in door opening solutions



SECTION A General Information

About
Services

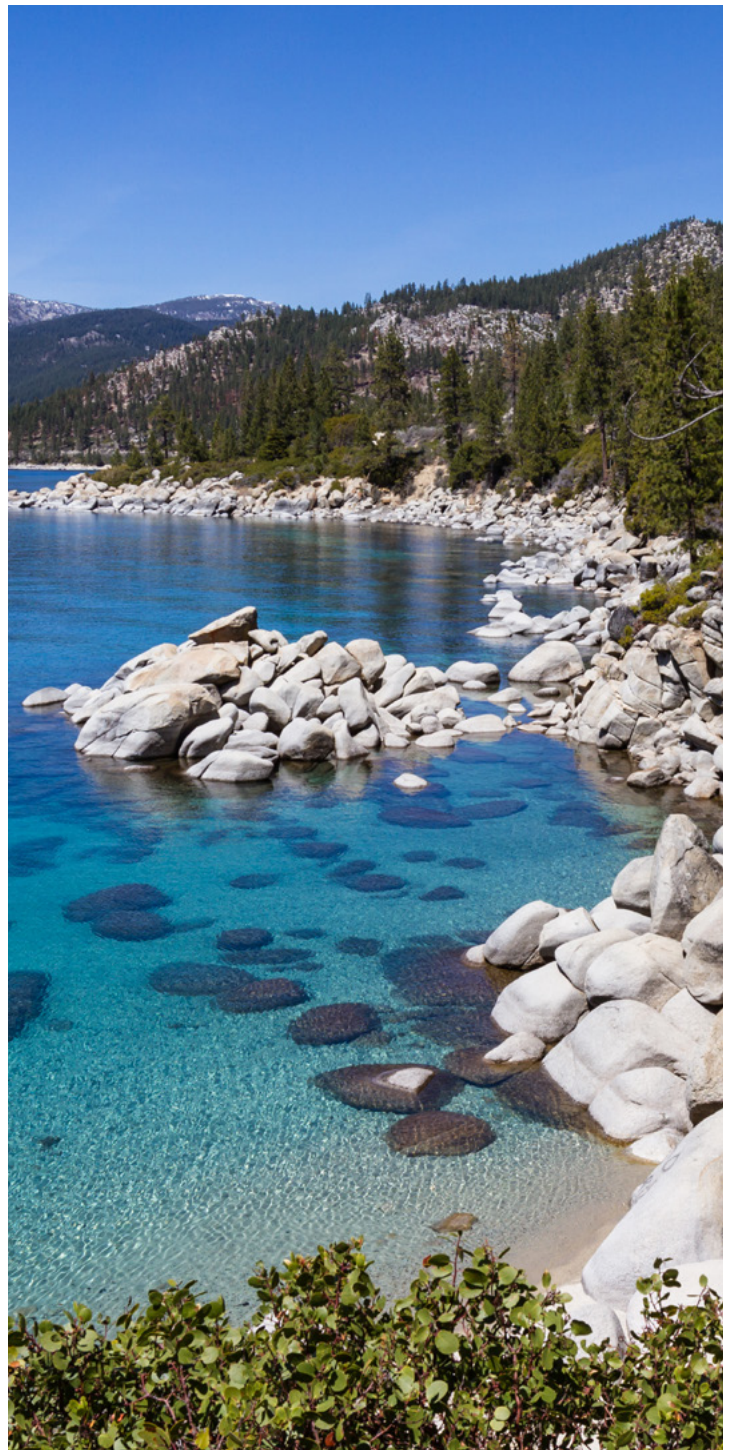
A2
A3

With generations of experience in designing, manufacturing and distributing window and door hardware across the globe, the collective ingenuity of the team at Interlock USA has been decades in the making. Perhaps best known as the inventor of the automatic sash lock system for hung and sliding windows, Interlock USA, an ASSA ABLOY company based in Reno, Nevada, specializes in working closely with window and door manufacturers to create innovative hardware designs that differentiate their products from the competition.

We take application engineering to a whole new level, helping manufacturers successfully bring new products from concept to market by developing customized solutions that integrate seamlessly into their product line. Through innovative design, superior technical support and personalized service, we help our customers sell their products by introducing unique, sophisticated hardware solutions that consistently hit the mark with consumers—both in form and function.

With worldwide resources through ASSA ABLOY, and partnerships with globally recognized companies such as the SIEGENIA-AUBI Group (SIEGENIA-AUBI & KfV) and Dr. Hahn, Interlock USA provides comprehensive, cost-effective solutions for window and door manufacturers throughout North America. We consider our organization a conduit for innovation, working to expand opportunities for our clients, partners and vendors through innovative product design and strong, long lasting relationships. As a challenging market necessitates flawless engineering and strategic flexibility, we continue to focus on mobilizing our resources throughout the world to provide the most advanced hardware, superior technical support and unmatched distribution capabilities.

Interlock USA is proud to be a member of the American Architectural Manufacturers Association (AAMA).



Application Engineering

With in-depth knowledge of engineering and design, unrivaled creative vision, and a proven record of delivering on aesthetics as well as performance, our application engineers are the best in the business. We're known for developing custom solutions to fit our customers' needs, whether that entails a proprietary solution that is custom-branded with your logo to become a signature component of your business, or a breakthrough solution is needed on the mechanical side to meet your functional specifications.

New Product Development

One of our key differentiators is our ability to imagine and create hardware solutions that have not yet been built. From inventing the first automatic sash lock system for vinyl windows to creating the first magnetic sash lock in the business to designing a casement locking system with a removable handle and cover, the ingenuity of our solutions has helped our customers gain brand visibility and market share—time and time again.

Quality Assurance & Testing

Innovative design is only valuable if it achieves optimum performance in its working state. Beyond meeting industry standards, we make sure that our products will withstand the trials of the real world. Testing is a continuous process throughout the entire life cycle of the product, from design and development to manufacturing. From impact-rated in hurricane applications to forced-entry resistance, we stand by our commitment to optimized security and performance in our products.

We go beyond the norm to make sure our products are the best on the market, testing our products to exceed industry standards. We also perform in-house testing to verify customers' windows will meet certain AAMA standards with our hardware.

Technical Support

Our engineers are always available to provide support and expertise to our customers. Whether you need technical advice on an application, help with product selection, support with installation, recommendations on production, consultation on new product development, or instructions related to specifications, our technical support team serves as an extremely valuable resource to our customers.



A bright, minimalist interior scene. On the left, a window with a white frame is partially open, showing a view of a building exterior. White, sheer curtains hang from the window, allowing soft light to filter through. In the foreground, a light-colored wooden floor is visible. To the right, a potted fern sits in a white, cylindrical planter. In the lower right corner, a portion of a blue armchair is visible, covered with a white blanket featuring a black geometric pattern. A large, brown, textured cushion or beanbag chair is positioned on the floor near the window.

WINDOW HARDWARE SOLUTIONS



SECTION B

Sliding & Hung Window Solutions

PRO-Latch & TRU-Latch B2

Upper Vent Latch B4

PRO-Latch Mechanism

The original standard in automatic sash lock solutions, PRO-Latch features a removable cover and the ability to provide cost-effective proprietary aesthetics as well as architectural finishes. Whether you're looking for a composite or metal cover, or a mechanism that is surface mounted or recessed into the profile, PRO-Latch is the highly customizable sash lock system that delivers superior performance.

Features

- Fits most sliding and hung window applications
- Multiple fixing locations available
- Hurricane rated in impact-certified applications
- Robust dual hooks for superior FER resistance
- Surface mounted or recessed into profile
- Patented mechanism and cover designs
- Available with a zinc cover option and architectural finishes



TRU-Latch Mechanism

A revolutionary advancement on the INTERLOCK® PRO-Latch design, TRU-Latch features an innovative trigger mechanism, making it an excellent solution for double-hung windows and providing true indication to the homeowner for maximum security and performance. With flexibility and aesthetics in mind, the TRU-Latch mechanism is designed to fit the complete line of styling and cover options available for PRO-Latch.

Features

- Patent-pending trigger mechanism specifically designed for double-hung window applications
- True indication for maximum security
- Multiple fixing locations available
- Hurricane rated in impact-certified applications
- Robust dual hooks for superior FER resistance
- Surface mounted or recessed into profile
- Available with a zinc cover option and architectural finishes



Sash Lock Covers

From concealed screws to flush mount or an indicator option, every cover has a unique purpose and is designed to meet the highest standard in security, sophistication and performance. Private label options and custom solutions are available for increased visibility and differentiation.

1. Concealed Screws Cover

With a classic aesthetic design to complement any window, this cover is supplied separately from the mechanism in order to conceal the screws and achieve a sleek, sophisticated look.

2. Indicator Cover

The bright red indicator strip on the cover allows the homeowner to easily identify from across the room if the latch has not been triggered, providing optimal security and peace of mind.

3. Slimline Cover

A clean, sophisticated aesthetic design to enhance the look of any window, this cover is supplied separate from the PRO-Latch mechanism and is available in composite or zinc.

4. Flush Mount Cover

This cover is supplied attached to the PRO-Latch mechanism to be recessed into the profile for a flush fit application, providing unobtrusive sightliness and maximum egress opening. Button supplied separately and easily snaps on to conceal screws after installation.

5. ADA Cover

The classic aesthetic design of our Concealed Screws Cover, with an adjustable pull cord to disengage the lock. Designed for easy operation and ADA compliancy.

6. Exposed Screws Cover & Mechanism

The classic aesthetic design to compliment any window, this cover is supplied with the mechanism for the convenience of a one piece installation.



Upper Vent Latch

The upper vent latch can be used to prevent upper sash sagging or as an accessory to an automatic sash lock in double-hung windows.

Features

- ONE-MOTION® disengagement
- Helps keep upper sash closed when balances wear out
- Allows consistent automatic locking in double-hung windows
- Simple latching design is easy to operate and automatically latches when upper sash is pushed up
- Increases window balance lifetime



A bright, minimalist room featuring a large white-framed window with sheer white curtains. In the foreground, a lush green plant with small white flowers sits in a black and white patterned pot. To the right, a white floating bookshelf holds several stacks of books. The floor is light wood, and a grey and white patterned rug is partially visible.

SECTION C

Casement & Awning Window Solutions

Locking Solutions

C2

Push-Out Handles

C5

NOVA® Casement Operators

C6

Casement Hinges

C8

Casement Accessories

C9

Electronic Solutions

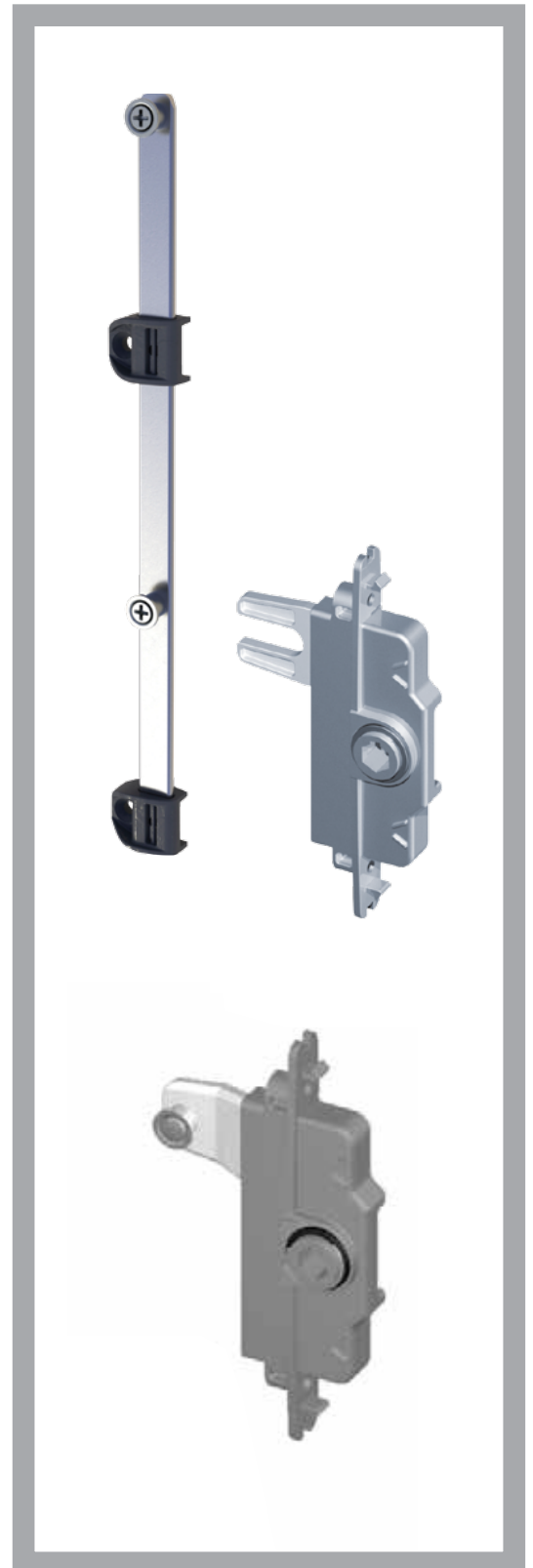
C11

NOVA® Casement Locking System

An industry first in casement window hardware, the NOVA® multi-point locking solution from INTERLOCK® features an option with a removable handle and cover to allow for quick and easy installation while eliminating the potential for shipping damage. The removable components are offered separately to minimize inventory costs for our customers, while also providing unlimited styling options. A stainless steel locking bar provides high corrosion resistance, delivering the perfect balance of form and function.

Features

- Removable handle and cover offers styling flexibility and minimizes inventory cost
- Single-Point and Multi-Point lock configurations with audible detent
- Self-locating guides provide quick and easy installation
- Adjustable mushroom-head roller pins overcome manufacturing tolerances and ensure smooth operation +/- 1 mm adjustment ensures maximum seal compression
- High-strength all stainless steel locking bar design for impact applications
- Load capacity up to 228 kg (500 lbs) per locking point for maximum DP ratings
- Low-cost powdercoated locking bar option



NOVA® II Casement Lock

The NOVA® II casement lock offers the look and functionality of the original NOVA® casement lock but features reduced projection and the convenience of a one piece installation. Designed for use with all INTERLOCK® USA casement locking solutions, the NOVA® II casement lock delivers the perfect balance of style and performance.

Lock Handle Features

- Audible detent
- 21 mm projection
- Convenient one-piece lock
- Single-point or multi-point configurations with non-handed design
- 48 mm of lock bar travel provides secure multipoint locking and enables progressive locking action
- Designed for use with all INTERLOCK® casement locking solutions
- Casted zinc alloy
- Available in color matched, powder-coated alternative or architectural finishes



NOVA® Slim Casement Locking Handle

A revolutionary new development in casement window hardware, the NOVA® Slim casement locking handle is a super low-profile design, eliminating interference with blinds and window treatments. Available in powdercoat and architectural finishes, the sleek, sophisticated solution is the first of its kind-applying an aesthetic flush mount design to vinyl casement window applications.

The patent-pending NOVA® Slim handle works in conjunction with the NOVA® multi-point casement locking solution and is engineered to optimize security, ease of operation and flexibility through its innovative features.

Features

- Super low profile with only 8mm projection
- Handle retainer features brush gasket to provide insect barrier
- Audible detent
- Zinc composition

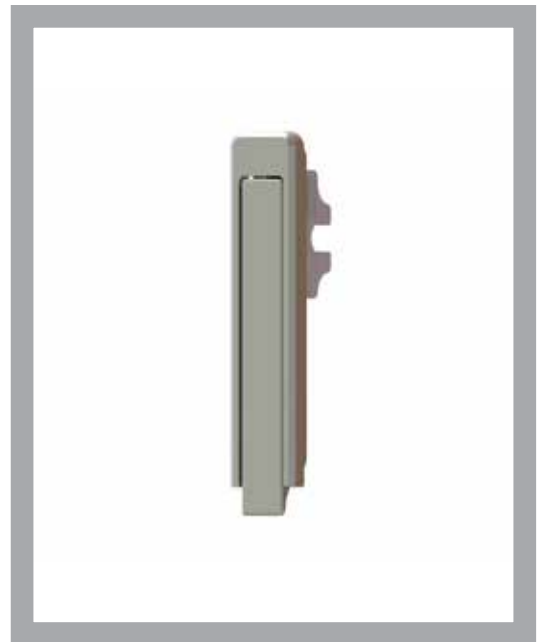


VESTA™ Casement Lock Handle

Combining contemporary aesthetics and styling with optimized security and ease of operation, the VESTA™ casement lock handle offers an extra low profile eliminating interference with blinds and window treatments while providing a modern design option for casement and awning window applications.

Features

- Lock Handle Features
- Low profile with only 8 mm projection
- Single-point or multi-point configurations with non-handed design
- 48 mm of lock bar travel provides secure multipoint locking and enables progressive locking action
- Designed for use with all Interlock casement locking solutions
- Available in color matched, powder-coated alternative or architectural finishes
- Zinc composition



Wedgeless Handles

Suitable for residential, architectural and designer thermal suites, ASSA ABLOY's unique and innovative wedgeless handles can be used on either casement or awning windows and are available in a wide-range of powdercoat colors and plated finishes.

Features

- Easy to install and operate
- High quality pressure die-cast main body with color-matched integrated nylon wedge
- Smooth solid handle with modern styling
- Left and right-handed models available
- Venting and low profile options available

1. Wedgeless Deluxe

2. Aria

3. Crest



Wedge Handles

Designed specifically in line with leading architectural innovations, ASSA ABLOY offers a range of reliable and robust window fasteners.

Features

- Designed for use with either aluminum, vinyl or wood, awning and casement windows
- Strong die-cast construction
- Locking or non-locking design
- Left and right handed models available
- Available in a wide range of powdercoat colors and plated finishes

1. Styleline 2

2. Slimline 2

3. Virage



NOVA® Operator Series

Interlock's family of casement operators for vinyl, wood and aluminum applications, the NOVA® casement series features dual arm, single arm, dyad and awning operators, all expertly engineered to deliver superior performance and unprecedented flexibility.

Featuring two-directional fixing design for superior strength and stability, the NOVA® operator series is the next generation in casement window solutions. The series is also available in stainless steel to provide maximum corrosion resistance in harsh coastal environments.

Features

- Optimized gear ratio for smooth operation of large sashes
- Two-directional fixing design and pre-fitted foam gasket for maximum air / water performance
- Multiple fixing locations for greater mounting flexibility
- Convenient snap-on cover offers styling flexibility and minimizes inventory cost
- Available in standard colors and architectural finishes
- All stainless steel arms and accessories available
- NOVA® operator and hinge combination designed to provide ideal geometry for high-performance solution

1. Dual Arm

2. Single Arm

3. Dyad

4. Awning



NOVA® Operator Covers & Handles

Interlock USA's variety of unique operator cover and handle designs allow you to easily differentiate your product line from traditional to ultra-contemporary options. The convenient snap-on cover and handle offers styling flexibility and minimized inventory costs, while special packaging helps prevent transit and construction damage by allowing each set to be taped to the window and installed after construction completion. NOVA® covers and handles are designed for use with high performance NOVA® casement operators to provide smooth and effortless ergonomic operation.

Materials & Finishes

- Composite cover with casted zinc handle
- Available in all powdercoat and architectural finishes

1. NOVA®

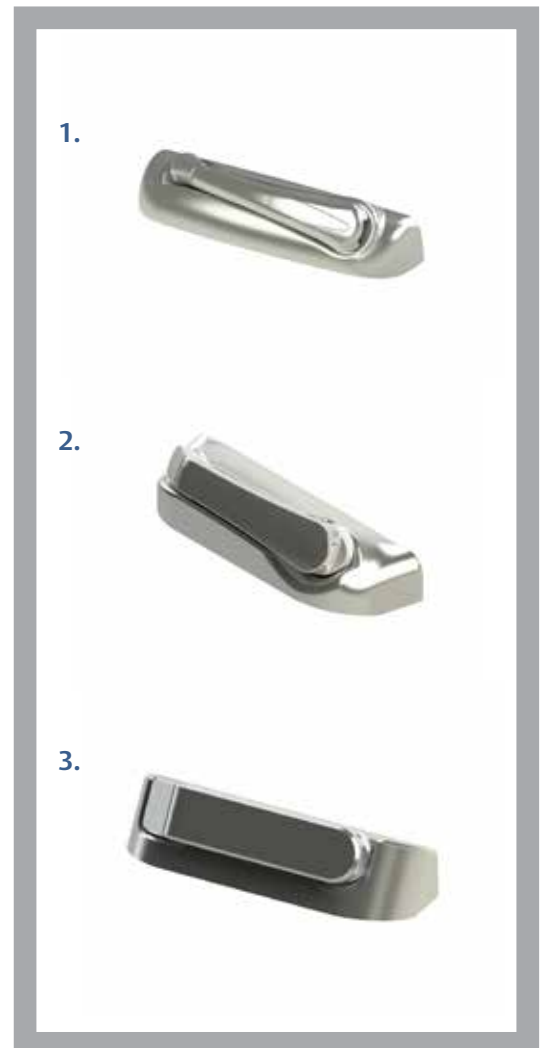
Interlock's classic NOVA® operator cover and handle provides a traditional option to casement and awning applications.

2. NOVA® Slim

The nested design of the NOVA® Slim operator cover and handle offers a contemporary and sophisticated solution that reduces interference with blinds and window treatments.

3. VESTA™

The perfect combination of high performance and high style. With sleek aesthetics and clean lines in mind, the VESTA™ provides a modern casement hardware solution to fit today's architectural and interior design demands.



NOVA® 2-Bar Hinges

The new NOVA® hinge series delivers the ultimate in performance and flexibility. The series is designed with state-of-the-art technology to support and control projecting sashes, including special heavy duty options for high weight capacity. All hinges are available in powdercoat or all-stainless-steel; allow for quick and easy assembly; and provide maximum sash adjustability.

Features

- 10" NOVA® Clean, 10" NOVA® Egress, 13" NOVA® Clean and 18" NOVA® Awning hinges available
- Simple snap-on spring clip design for quick, easy window assembly
- Adjustment feature allows for convenient sash alignment with window open or closed
- Innovative track design provides maximum performance and corner weld clearance in vinyl applications
- Supports sash width of up to 1,067 mm (42") wide and weighing up to 57 kg (125 lbs)
- Stainless steel reinforced slide shoe
- Opens 90 degrees for full ventilation
- Awning hinge features friction adjustment to eliminate sash chatter
- Stainless steel option available



4-Bar Casement Hinges

Securistyle's corrosion resistant, all stainless steel 4-bar hinges for casement and awning applications feature an asymmetrical design to maximize weather sealing as well as high gust loading. The complete line includes loose-rivet options for operator-driven applications and tight-rivet options for push-out applications.

Features

- Asymmetric design maximizes weather sealing and negative pressure ratings
- Supports awning sashes up to 2200 mm (87") high and 120 kg (264 lbs)
- Supports casement sashes up to 838 mm (33") wide and 47 kg (103 lbs)
- Egress and washable versions available
- Composite slider eliminates metal on metal wear



Restrictors

Interlock offers a full range of restrictors for casement and awning window applications – whether you’re looking for a simple venting option with security or an adjustable option for greater opening capability. Our restrictors are designed with state-of-the-art technology to support and control projecting sashes, including special heavy duty options for high weight capacity. All hinges are available in powdercoat or all-stainless-steel; allow for quick and easy assembly and provide maximum sash adjustability.

Features

- Stay open position automatically selected on opening of window
- Easy to fit no routing required
- Enhanced corrosion resistance
- Suitable in for 11.1 mm to 18 mm cavity heights

1. Casement Restrictor Stays

ASSA ABLOY’s Casement Restrictor allows ventilation with a degree of security – particularly in multi-story applications. Can also be used as a friction adjuster.

2. Safety Stays

Concealed restrictor, New York City Housing Authority compliant under HDLD#03-14-2016

3. Stay Open Restrictor

Securistyle restrictor designed to prevent the window from closing past ‘stay open’ positions.

4. Detachable Restrictor

This Securistyle restrictor can be used on windows without reinforcement. Key available separately.

5. ASSA ABLOY Window Opening Control Device

Tested and certified to ASTM F2090-13, the ASSA ABLOY WOCD is the ultimate in residential safety. Available in lengths of 4” or 6”, this restrictor limits venting to less than 4” of opening.



1. CPB1 Snubber

Optimization of the seal compression can be achieved by means of the adjustable frame component.

2. Snubber

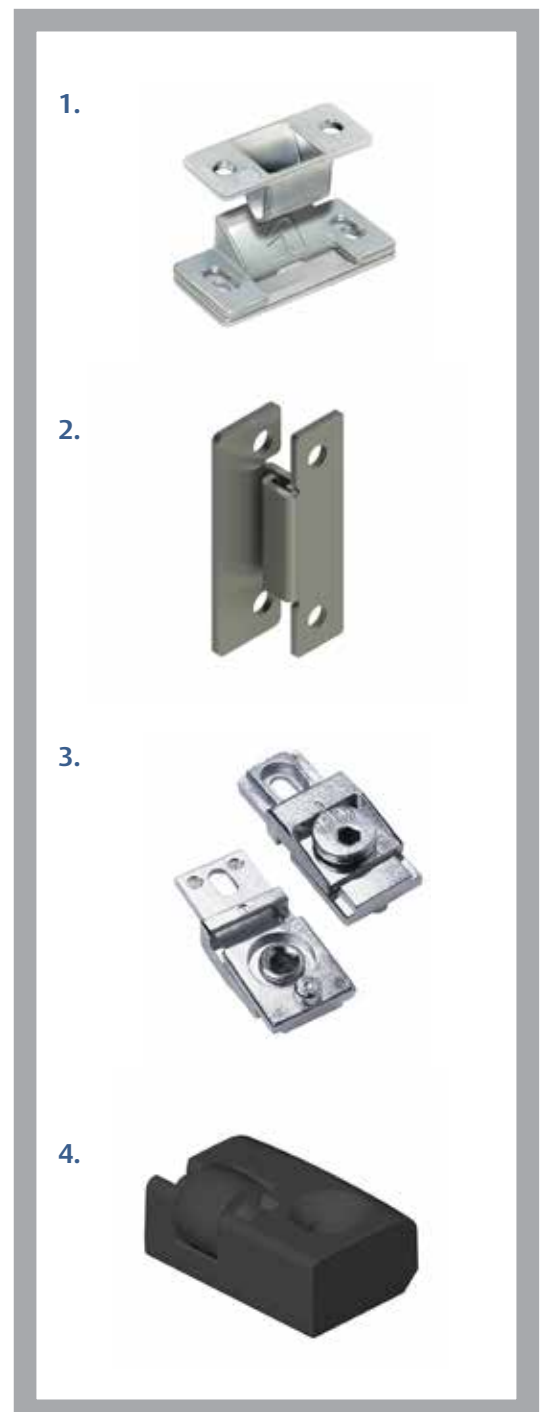
Reduce profile bow when subjected to negative wind loads.
Non-adjustable.

3. Adjustment Block

Suitable for use with all Securistyle heavy duty hinges +/- 2 mm vertical adjusted by simple Hex key operation.

4. Sash Lifter

Aides in closing casement windows with heavy vents.



Elevation

The Elevation Window Control System offers the perfect combination of convenience, flexibility and safety with the ability to control up to 30 windows through a simple touch screen.

Through the use of zones, the Elevation can be configured to reflect the unique layout of any home or commercial building, making it the ideal system for hard to reach windows. The Elevation makes opening or closing all windows, or windows within a specified area, effortless.

With a built in chain release feature, installing the Elevation actuator is easy and can be completed without being connected to power.

Features

- Intuitive touch screen keypad controls up to 30 windows with pre-set options 'closed', 'vent', 'half' and 'full'
- Actuators operate simultaneously (with 24VDC motor) and can be grouped into zones
- Synchronize two actuators to cater for wide windows
- 9 kg closing force per actuator ensuring a tight window seal when closed
- Strong, corrosion resistant stainless steel chain (grade 302)
- Chain length is adjustable in 10 mm increments to limit window opening
- Release key allows chain to move freely for ease of installation
- Program in a pin code to restrict access to keypad
- Suitable for awning or casement windows
- Can be fixed to wood or aluminum

Options

- Touch screen or wall switch control option
- Actuators are available in a range of colors to complement any window design and/or finish
- Add 1 or 2 keypads per Elevation system
- Rain sensor option (add up to 4). Rain sensors can be allocated to a specific zone and be configured to either vent or close upon rain detection, as well as re-open when dry
- Standalone Operator – designed to control a single remote window with a simple on / off switch
- Able to be used where there is an electronic control system
- The stroke length of the standalone model can be set to either 150 mm or 250 mm combined with an electronic control system



The image shows three white-framed windows in a row, looking out onto a rural landscape. The windows have white handles and are set in a white frame. The view outside shows a dirt path leading through a grassy field towards a line of trees. A large evergreen tree is visible in the middle window. The sky is bright and clear.

SECTION D European Window Solutions

Wood / Vinyl Tilt and Turn D2

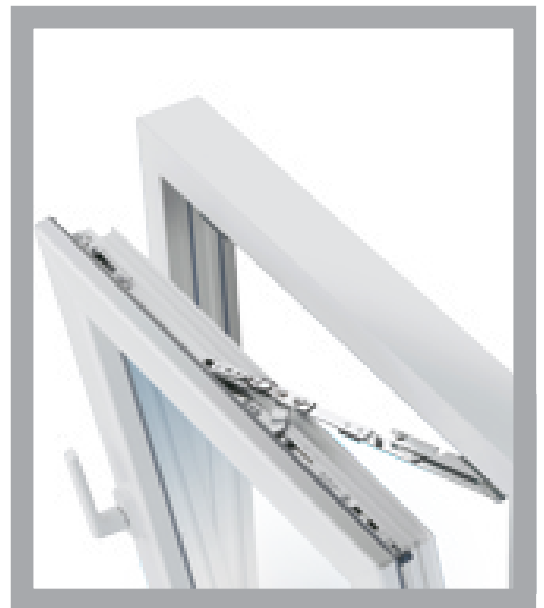
Aluminum Tilt and Turn D3

Wood / Vinyl Standard and Concealed

The traditional European window solution for inward-opening single and dual-sash applications, this system's one-hand operation moves the window into a tilt position for secure ventilation and a swing position for an unobstructed view and easy cleaning. For one of the industry's most popular trends, we have Tilt & Turn solutions that cover all the angles.

Features

- Available in standard and concealed versions
- Supports large windows up to 130 kg (286 lbs) in sash weight
- Available for special shapes, such as round top and trapezoid windows
- Tilt & Turn, Tilt before Turn, Tilt Only and Turn Only options available
- Superior corrosion-resistant e-look finish (1,000+ hours salt spray tested)
- All stainless-steel solution available for rectangular windows
- Flexible adjustment to overcome installation and manufacturing tolerances
- Innovative mishandling device prevents damage
- 110 degree opening for emergency egress sash lift feature



SIEGENIA®

Aluminum

The new line of aluminum Tilt & Turn hardware solutions from SIEGENIA delivers high performance, modern aesthetics, and smooth operation. Available in both standard and concealed options, systems are designed with versatility in mind, featuring solutions for Tilt & Turn, Tilt Before Turn, and Turn Only applications, while also fitting special shapes, such as round-top and trapezoid windows. Special heavy duty options are ideal for commercial applications, supporting sash weights up to 300 kg (660 lbs). The system may be customized with high security features and an extensive range of accessories. It all adds up to intelligent engineering – from every vantage point.

Features

- Available in standard and concealed versions
- Three systems to support different sash weights: 80 kg* (176 lbs), 130 kg (286 lbs) and heavy duty 300 kg* (660 lbs)
- Available for special shapes, such as round-top and trapezoid windows
- Tilt & Turn, Tilt before Turn, Tilt Only and Turn Only options available
- Modular systems designed to optimize efficiency
- Quick, easy installation with pre-assembled clamping pieces
- Top and bottom hinges sit flush with the sash profile

* Limited to Turn Only applications



SIEGENIA®

DOOR HARDWARE SOLUTIONS





SECTION E

Sliding Door Solutions

SBML Solutions

E2

Rollers

E7

Accessories

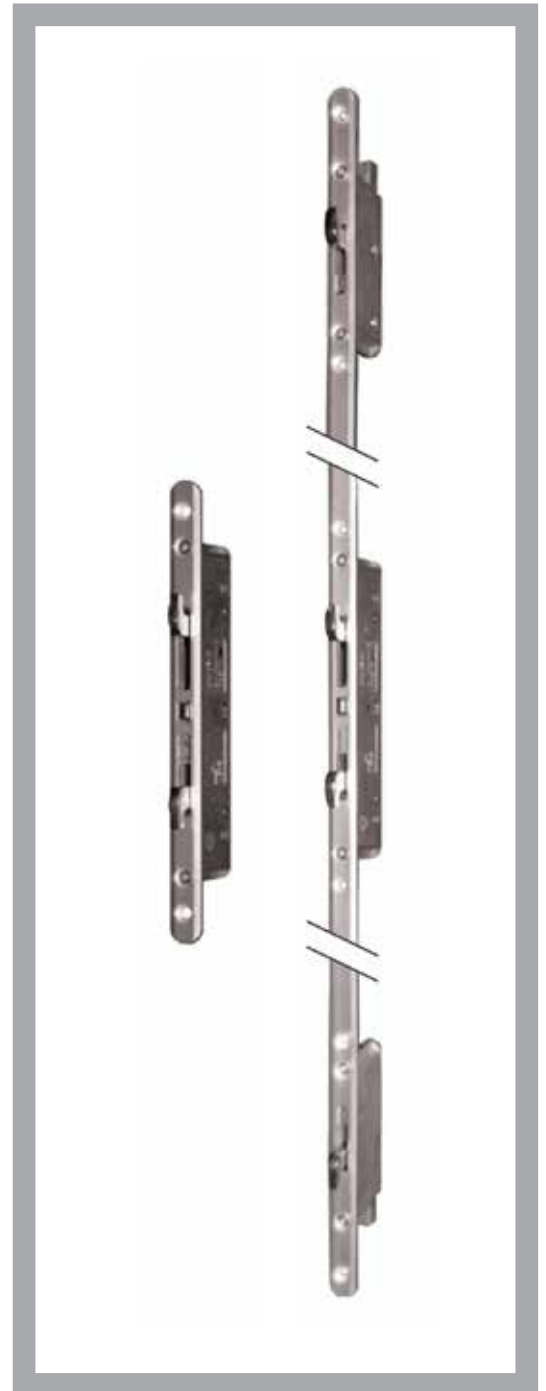
E8

Multi-Point SBML

Unmatched in performance and forced-entry resistance by anything else on the market, INTERLOCK® locking solutions for single and dual-panel applications ensure smooth operation and high security for large in-line sliding doors, giving homeowners absolute peace of mind. With materials specifically designed to provide high corrosion resistance, these single and multi-point locking systems are ideal for harsh coastal climates.

Features

- Two, four and six-point mortise locks
- Available for wood, vinyl and aluminum sliding doors
- Zinc lock body with aluminum face plate
- High corrosion and forced-entry resistance
- Shoot bolt options available
- Reliable mishandling device as standard
- Secondary security options available



INVISIO®

Introducing the newest option within Interlock's sliding door hardware solutions, the INVISIO® Sliding Door system. This flush-mounted handle integrates into the panel allowing for clearance on bypassing sliding door or pocket applications. The clean, arrow aesthetics of the INVISIO® offers homeowners an attractive and modern solution to their multi-panel sliding door hardware needs.

Features

- Adjustable keeper
- Less than 2mm projection
- Narrow Backset – minimum of 26.5mm
- Symmetrical machining for ease of installation
- Designed to fit door thickness range of 1.70" to 2.50"
- Designed for use with two and four-point mortise locks
- Exterior key locking option
- Available in all powder-coat and architectural finishes



INTUITION®

Innovative design and modern engineering have come together to produce the most ergonomic, intuitive solution for sliding doors ever invented. Featuring Interlock's state-of-the-art ONE-MOTION® operation, the patented INTUITION® sliding door handle offers the ultimate in comfort and convenience by allowing the user to unlock and open the door (and in reverse close and lock) in a single fluid motion.

Features

- For use in single and multi-panel applications
- Designed to fit Interlock's SBML locking system
- Standard mounting route as traditional handles
- Sleek design allows for full glass sightline
- Endurance tested to 20,000 cycles
- Neutral salt spray tested 1,000 hours minimum (powder-coat version)
- Zinc alloy main body with high performance plastic and stainless steel interior components
- Available in all powder-coat and architectural finishes



CREST®

The CREST® sliding door handle is inspired by the beauty of the New Zealand environment, featuring subtle curves reflecting cresting waves and bold shapes evoking the alpine scenery, the series provides a stylish, contemporary appearance to vinyl, wood and aluminum inline sliding doors. With a large comfortable grip, the CREST® sliding door handle is ergonomically crafted to maximize performance while minimizing effort; the attractive and contemporary design allows for full glass sightline.

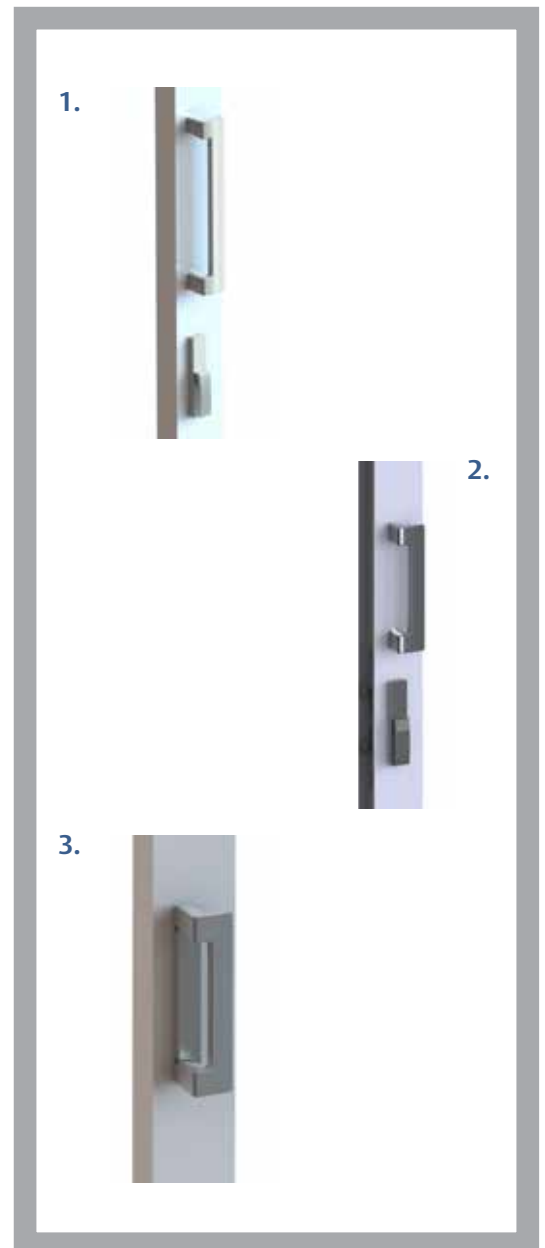
Features

- Adjustable keeper
- Exterior key locking option
- Narrow Backset – minimum of 26.5mm
- Designed for use with two and four-point mortise locks
- Symmetrical machining for ease of installation
- Convenient One-piece version available
- Available in all powder-coat and architectural finishes

1. CREST® Large Handle

2. CREST® Small Handle

3. CREST® One-piece Handle



Handles

As versatility is critical to interior design, our sliding door hardware solutions are available with a variety of options for contemporary and traditional handle styles. Each one designed with aesthetics, ergonomics and security in mind, our handles for large inline sliding doors are popular with homeowners due to their ability to maximize performances while minimizing effort.

Features

- Powdercoat and architectural finishes
- Concealed screw option
- Exterior key locking option
- Low cost one-piece option
- Private labeling and custom handle options

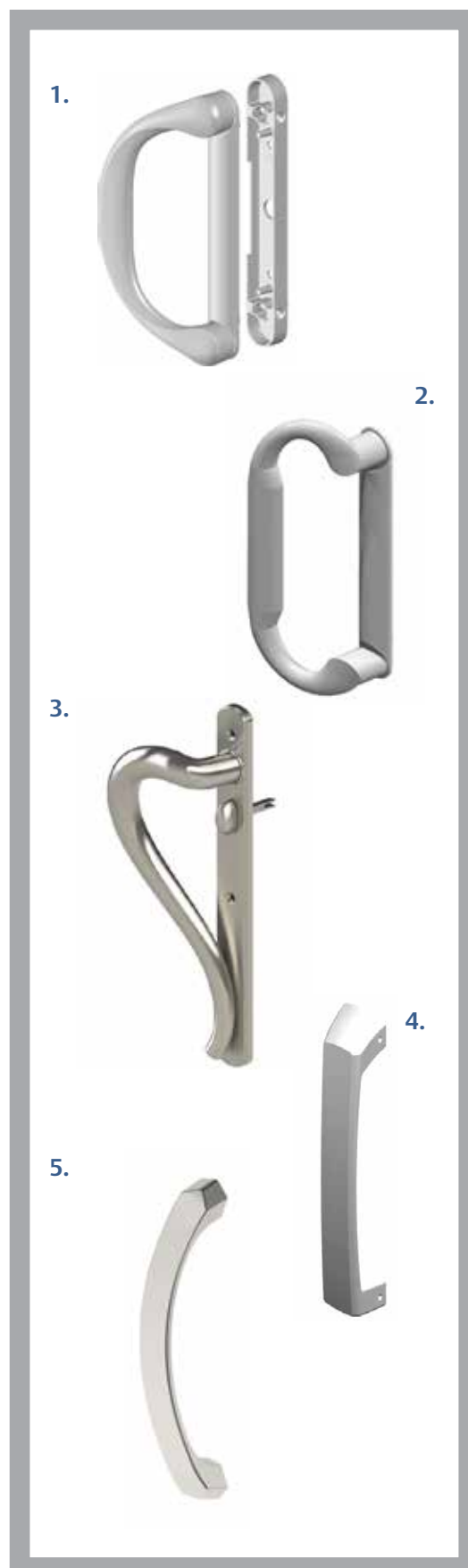
1. Involute 2 piece (*1 piece option available*)

2. R1

3. Icon

4. Malta

5. Cardrona



Endeavour Sliding Door Lock

Suitable for use with aluminum, wood or vinyl horizontal sliding doors, the Albany and Aria Endeavour Sliding Door Lock incorporates enhanced security and safety features. Taking styling cues from the popular Albany and Aria design, the Endeavour Sliding Door Lock allows your customers to create a consistent look throughout the home, while the improved functionality and performance exceed standards in both security and durability.

Features

- Retrofittable – easily replaces most sliding door locks
- Opposing anti-lift beaks for added security
- Anti-slam button prevents operation of the handle when the door is open, preventing mechanism damage
- Non-handed lock chassis with intuitive downward snib motion to unlock

Options

- Double cylinder deadlocking with Daylatch and deadlocking indicator
- Single cylinder locking with snib
- Trade pack range has additional locking options, in a full range of powdercoat and plated finishes
- Surface Mounted lock option available



Side-Adjust

Our side-adjusting sliding door rollers offer a wide range of materials for different operating environments, from engineered plastic to stainless steel. These rollers provide up to 9.4 mm (0.37") of vertical adjustment, which is easily accessible from the side of the door. Sealed precision bearings and turned composite wheels ensure long roller life.

Features

- Metal Carriage Tandem Roller
- Composite Carriage Tandem Roller
- Handles sash weights up to 200 kg (440 lbs)

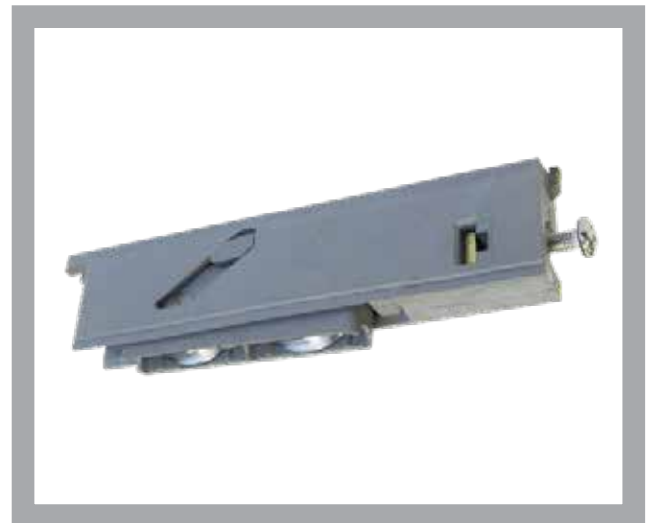


End-Adjust

With composite or stainless steel housing and wheel options, our end-adjusting rollers provide options for every door requirement. These models may be adjusted from the end of the roller, providing easily accessible, on-site alignment of the door panel.

Features

- Stainless Steel Carriage Tandem Roller
- Composite Carriage Tandem Roller
- Heavy Duty Quad Roller
- Handles sash weights up to 400 kg (880 lbs)



Patio Bolt

The Patiobolt is a secure deadlocking bolt for use with wood, aluminium and vinyl hinged, sliding or bi-fold doors.

Features

- 9.5 mm heavy gauge bolt providing good security
- Deadlocking bolt for top security
- Reversible bolt allows cylinder to be located on the left or the right of the lock body to suit the application
- Concealed fixing for security and style
- Easy to install

Options

- Standard (155.5 mm) and long (185.5 mm) lengths available
- Available in black and arctic white



Impact Door Stops

The Impact doorstop is designed to cushion the high impact of sliding doors and windows. With a secure and durable design, the Impact doorstop will prevent collision damage.

Features

- Manufactured from high quality materials to provide an effective long-life doorstop
- 3 screw fixing points

Options

- A full range of powdercoat options are available for the uncovered and covered versions





SECTION F

Swing Door Solutions

Aluminum Solutions	F2
Wood / Vinyl Solutions	F4
Hinges	F7
Cylinders	F8

Locking Solutions

Lever Compression Locking

With the perfect balance of utility, strength, and sophistication, the INTERLOCK® Lever Compression Lock is the ideal multi-point locking solution for aluminum and vinyl swing door applications. The handle-activated locking mechanism can be enhanced with shoot bolts for better security and weather performance.

Features

- Single-motion handle activation of deadbolt and all remote locking points
- Unique deadbolt design to increase seal compression
- Accommodates up to six locking points
- Multiple handle styles available



Optimum 4-Point Mortice Lock

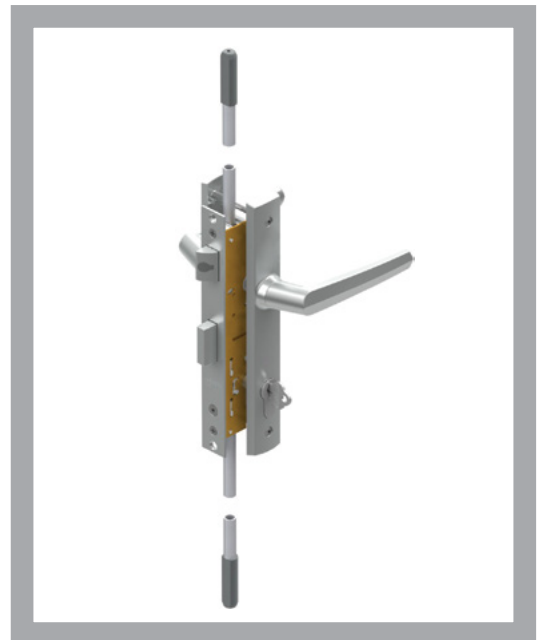
The Optimum Mortice Lock offers a new and improved locking system with enhanced furniture options available. When deadlocked, the Optimum 4-Point provides increased security with up to four points of locking. The shootbolt provides added security and seal compression.

Features

- Features four points of locking including the latch, deadbolt and shootbolts
- Sequencing of locking points can be in any order (can be locked with or without shootbolts thrown)
- When used with the correct strike the lock generates optimum seal compression to provide improved water and air seal performance, especially for large panel doors
- The handing of the lockset is adjusted by reversing the orientation of the latch bolt

Options

- Available with 30 mm, 40 mm or 50 mm backset
- Short Throw 4-Point
- Long Throw 4-Point



Handles

With the perfect balance of utility, strength, and sophistication, the INTERLOCK® lever compression lock is the ideal multi-point locking solution for aluminum and vinyl swing door applications. The handle-activated locking mechanism can be enhanced with shoot bolts for better security and weather performance.

Features

- Single-Motion handle activation of deadbolt and all remote locking points
- Unique deadbolt design to increase seal compression
- Accommodates up to six locking points
- Multiple handle styles available
- Lock and handles made from zinc alloy and are available in powdercoat and architectural finishes
- Latch and deadbolt made from zinc alloy and nickel plated
- Composite or stainless steel shoot bolt tips

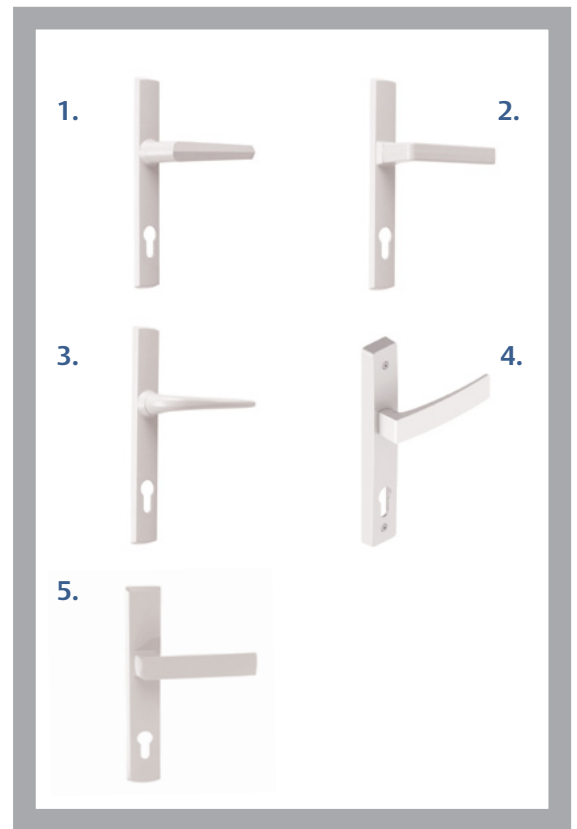
1. Aria

2. Acacia

3. Summit

4. Crest

5. Malta



Apex Mini Lever Set

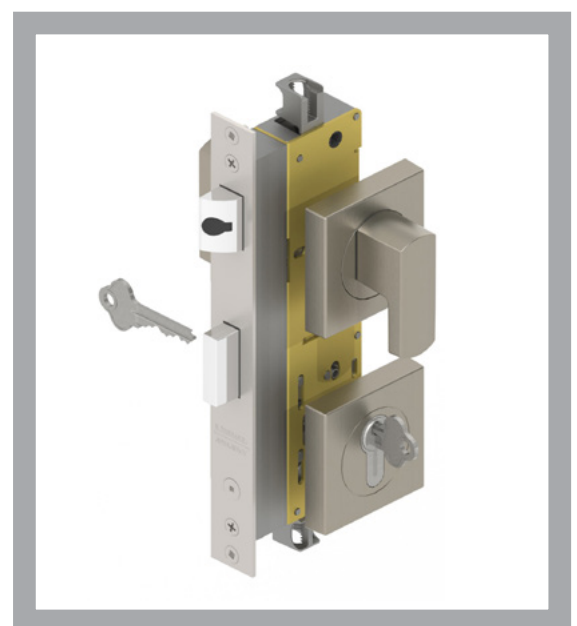
There is now a solution for those wanting to offer a multi-point locking system on entrance doors – the Apex Mini-Lever. The Apex Mini-Lever provides enough leverage to throw vertical rods, improving seal compression and security. It has been designed to be discreet, yet complementary to large pull handles.

Features

- Sleek, minimalist design
- Independently sprung lever
- Mini lever engages locking rods in head and sill for added security and weather tightness
- Smooth and easy operation of the lock
- Kits are supplied with Standard Euro Cylinder
- Stainless Steel lock forend plate
- Brushed nickel finish

Options

- Available with square or round escutcheons
- Double cylinder or cylinder and turnknob options available



Multi-Point Locking Systems

Manual Multi-Point Lock

Offering the highest level of resistance to forced entry, soundproofing and thermal insulation, our multi-point locks are designed to take security and functionality to new heights, boasting reliable high performance solutions for both single and double door applications. Designed for ease of use, our locks are available in 6'8" and 8' and adjust easily to custom door sizes

Features

- Single and multi-panel (French door) applications
- Optional mishandling device to prevent damage
- Optimal weatherproofing
- Total control of operating forces (with adjustable strikers)
- Compatible with wide range of lever sets



Magnetic Lock

Combining modern aesthetics and maximum performance, the single and multi-point magnetic locks from KfV are intelligent solutions for swing doors. Featuring a sophisticated appearance and ease of use, the innovative magnetic solutions are ideal for contemporary architectural designs, as the latch is practically invisible and concealed within the lock case when the door is open.

Features

- Innovative magnetic trigger mechanism ensures multi-point lock engagement with every use
- Convenient operation provides peace of mind to the homeowner
- Stainless-steel faceplate
- Flush, high-quality appearance



KFV  The Protection Company

Multi-Point Lock

The latest multi-point locking systems from KfV offer the highest levels of performance, security and functionality for entry and patio doors.

Features

- Wide variety of multi-point options including heavy-duty hooks, deadbolt, cam and shoot bolt options
- Stainless steel faceplate option available
- Mishandling device to eliminate potential damage
- Tested to hurricane level requirements



KFV  The Protection Company

Handles

Constructed from solid brass, our handle sets are non-handed and designed to be compatible with both 1 ¾" and 2 ¼" thick doors. Various stylings from traditional to contemporary with multiple finishes create a cohesive look with existing hardware throughout the home.

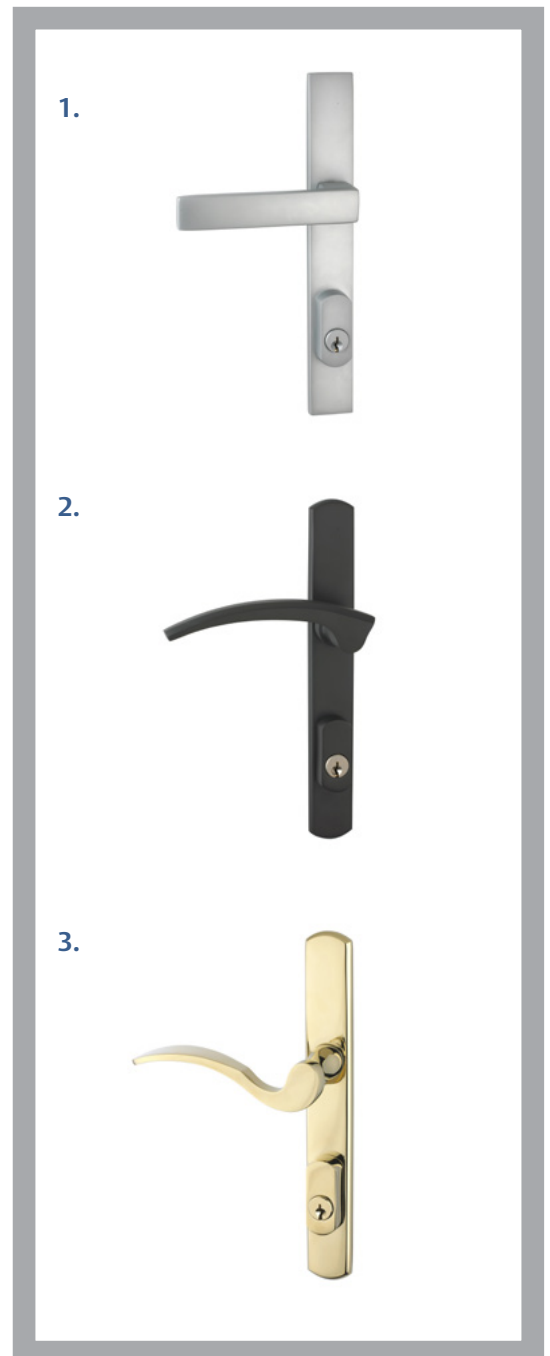
Features

- All Brass construction
- 8 standard and 3 PVD finishes
- Active handle sets fitted with Schlage Keyways and 2 keys
- Dummy option available

1. Ferraro

2. Turnberry

3. Oakmont



Hinges for Vinyl Doors

Featuring modern design and superior technology, Dr. Hahn hinges are engineered to enhance the appearance and performance of vinyl door applications. The full line of premium hardware from Dr. Hahn, Europe's leading manufacturer of door hinges, encompasses state-of-the-art solutions for interior and exterior doors in residential and commercial structures.

Features

- Highly adjustable for easy installation
- High security and performance
- Engineered for optimal insulation and energy conservation
- Modern design and sophisticated aesthetics
- Available in a variety of colors and finishes
- Custom solutions available



Dr. Hahn®
HINGES. MADE IN GERMANY.

Hinges for Aluminum Doors

Innovative design and advanced technology make Dr. Hahn hinges for aluminum doors popular all over the world. Featuring solutions for main entrance, side entrance, interior, and exterior doors in residential and commercial applications, the complete line of hardware from Dr. Hahn includes solutions to accommodate every type of profile, function, and aesthetic need.

Features

- Highly adjustable for universal implementation on various profiles
- High security and performance
- Maximum corrosion resistance
- Quick, on-site installation with "no drill" options available
- Modern design and sophisticated aesthetics
- Concealed and custom solutions available



Dr. Hahn®
HINGES. MADE IN GERMANY.

Cylinders

ASSA ABLOY offers a complete range of quality cylinders. There are a number of cylinder types available, each offering a range of functional and security-oriented features.

Features

- Construction key and master key systems are available upon request
- 5-pin cylinder with keyed alike or keyed different versions
- Double Cylinder, cylinder and turnknob, half cylinder or half turnknob
- Available in range of architectural finishes





SECTION G

Folding Door Solutions

HEMISPHERE® System

G2

Pinnacle Bi-Fold Mortice Lock

G3

Twin Bolt Lock

G4

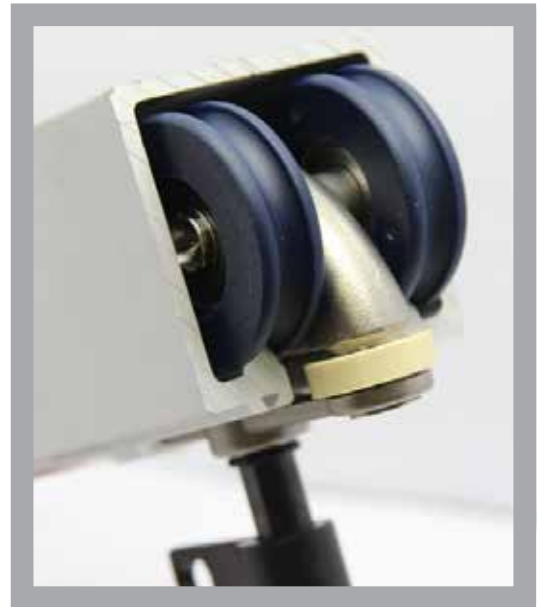
HEMISPHERE® System

INTERLOCK™
ASSA ABLOY

The all-stainless-steel HEMISPHERE® system for flush panel folding door applications brings a level of sophistication previously unseen in this market. Expanding well beyond anything in its class, the HEMISPHERE® line utilizes innovative design to allow interior living spaces to open seamlessly into the outdoors.

Features

- All stainless steel construction
- Sealed precision ball bearings for smooth and effortless operation
- Surface and mortise hinge options for aluminum and wood applications
- Panels up to 100 kg (220 lbs) and 1 m (3.3 ft) wide by 3.3 m (10.8 ft) high



**All stainless steel construction
for American flush door designs**

Pinnacle Bi-fold Mortice Lock

The Pinnacle Mortice lock has been designed for use on bi-fold windows and doors. The Pinnacle lock combines security features with a practical design, fulfilling the needs created by architectural innovations within the residential market.

Features

- Provides 2 points of security from one motion
- Bolts throw 22 mm for enhanced security
- Practical, easy installation
- Threaded rod connection provides easy adjustment
- Handle turns through 90 degrees from locked to unlocked
- Rods provided are 1 m + 1.3 m

Options

- Bi-fold kits can be used with a Uno or Aria styled bi-fold operator
- Non-locking or deadlocking options available
- Multipoint rod extension kit available



Wood System

This new Twin Bolt Lock is specifically designed for easy installation on wood folding doors and French door inactive panels. A single flush handle operates the top and bottom shoot bolts, providing unprecedented convenience for the homeowner. Additionally, our unique flush lever handle design avoids contact when panels are folded.

Features

- Optimum security and convenience
- Features concealed shoot bolt mechanism with two counteractive shoot bolt rods thrown into the head and sills
- Stainless-steel shoot bolt rods designed for superior corrosion resistance
- Easy installation on wood applications
- Minimal fabrication required
- Available in locking and non-locking options

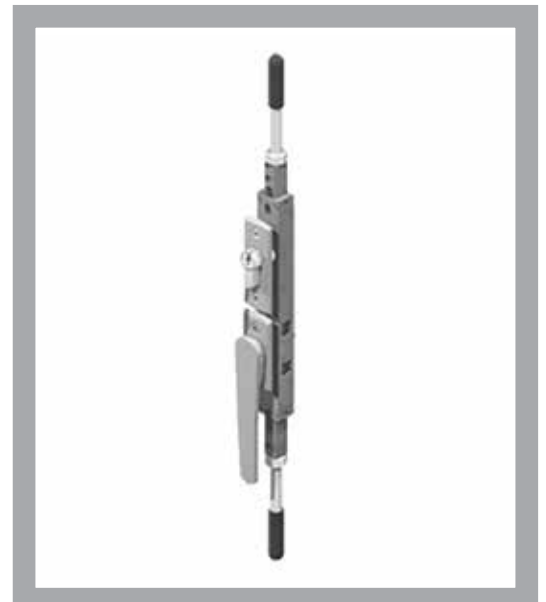


Aluminum - Vinyl System

A superior design, our Twin Bolt Lock features a single flush handle to operate the top and bottom shoot bolts, providing unprecedented convenience for the homeowner. Providing 19 mm (3/4") of throw in both directions, this system replaces surface-mounted flush bolts. The Twin Bolt Lock can also be used as a French door inactive panel lock. Additionally, our unique flush lever handle design avoids contact when panels are folded.

Features

- Optimum security and convenience
- Features concealed shoot bolt mechanism with two counteractive shoot bolt rods thrown into the head and sills
- Stainless-steel shoot bolt rods designed for superior corrosion resistance
- Minimal fabrication required
- Latch and deadbolt made from zinc alloy and nickel plated
- Composite or stainless steel shoot bolt tips
- Available in locking and non-locking options



Handles

Unique designs available to complement a wide range of furniture styles.

Features

- Single flush handle operates top and bottom shoot bolts, providing unprecedented convenience
- Can be used with lever handles as a French door inactive panel lock
- Two counteractive shoot bolt rods thrown into the head and sill - activated by 90 degree rotation of handle
- Available in locking and non-locking options
- Extended escutcheon plate available for aluminum folding doors

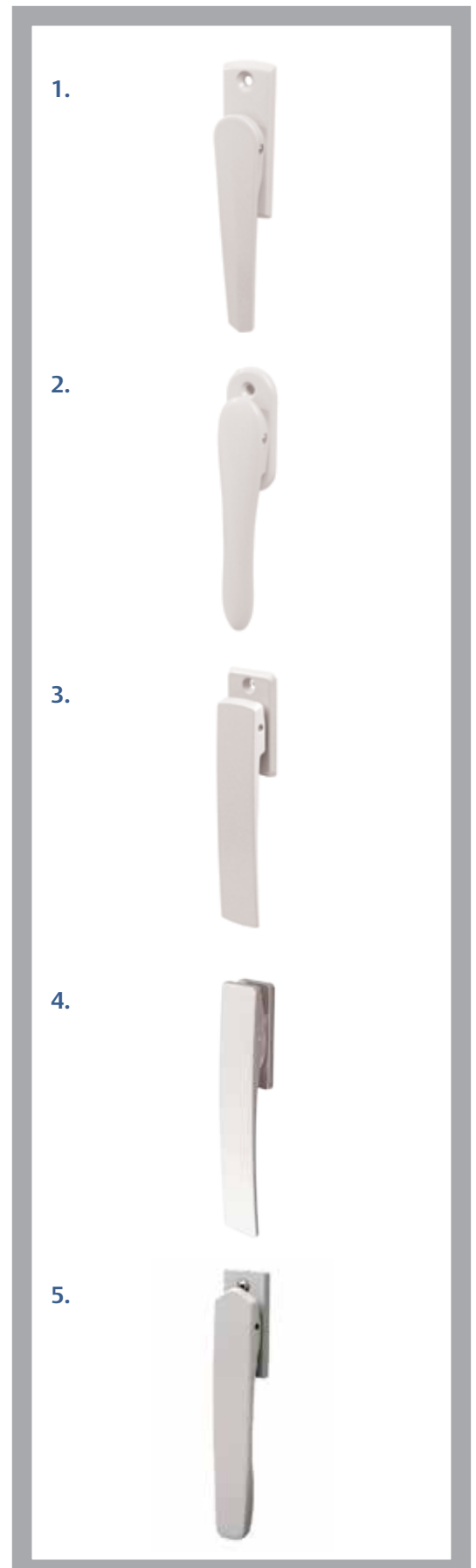
1. Aria

2. Uno

3. Malta

4. Crest

5. Cardrona



SECTION H

European Door Solutions

European Sliding Door H2

European Folding Door H3



Lift and Slide

Providing generous access to the outdoors without compromising security, aesthetics or ease of use, the HS PORTAL from SIEGENIA is specially designed for smooth, effortless movement on large-scale sliding patio doors. Adding architectural value to any application, the solution is ideal for very large openings, with the ability to move a 12-meter-wide (40 ft) opening in one safe, easy, and comfortable operation.

Offering a substantial increase in comfort for the homeowner, the new Comfort Gear, equipped with an integrated tension spring, reduces the force needed to lift the sash into the slide position, making it easier to move. In addition, the new spring design reduces uncontrolled recoil of the handle when the sash is lowered back into the lock position—delivering smooth operation with minimal effort.

Features

- Available for wood, vinyl and aluminum sliding doors
- Smooth, effortless movement for large sliding patio doors
- Handles sash weights up to 400 kg (880 lbs)
- Accommodates opening widths of up to 12 m (40 ft)
- Exclusive + 3 mm adjustability to overcome installation challenges
- High security locking solutions
- Stylish, contemporary handle designs
- Handicap-accessible threshold
- High level of insulation for optimal energy conservation



SIEGENIA®

Tilt and Slide

The PSK Parallel Tilt & Slide hardware solution for wood, vinyl and aluminum doors handles heavy weights with ease, opening up a world of possibility.

Features

- Available for wood, vinyl and aluminum sliding doors
- Safe operation and effortless movement
- Small dimensions suitable even for narrow sash profiles
- Handles sash weight up to 200 kg (440 lbs)
- Mushroom head locking cams on all corner drives ensure high level of security
- Comprehensive range of handles and hardware covers provide multiple design options
- Push-out width of 120 mm (4 3/4") accommodates windows with wide profiles



SIEGENIA®

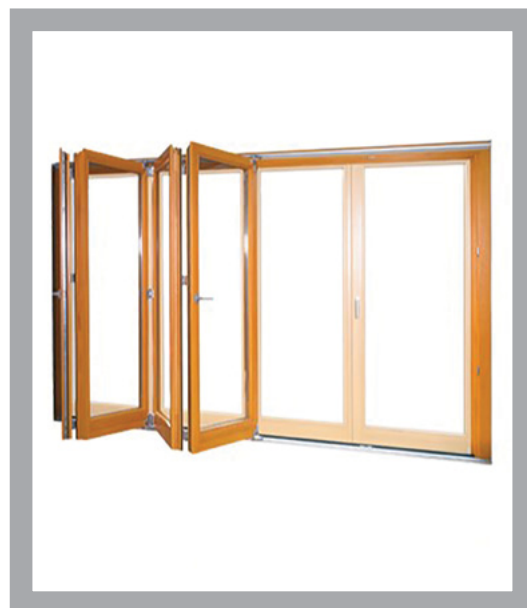
European Folding Door

INTERLOCK™
ASSA ABLOY

Large opening widths give an impression of breadth and roominess. The FS PORTAL for Fold & Slide doors in wood and vinyl combines superior design with the highest level of functionality, creating generous access into the open air.

Features

- Available for wood, vinyl and aluminum applications, both inward and outward opening
- Supports sash weights up to 80 kg (176 lbs) per panel and openings up to 2.4 m (8 ft) high by 7m (23 ft) wide
- Accommodates up to seven-panel applications
- Large composite ball-bearing mounted rollers guarantee smooth, quiet movement
- High-grade surface finish ensures durability and high corrosion resistance
- Designed for quick assembly



SIEGENIA®



SECTION I

Secondary Security

Securichain
Flush Bolts

I2
I2

Securichain

The Securichain is for use with standard hinged, inward opening doors with a minimum thickness of 34 mm. The design and function of the product is ideal for use in residential or hotel applications to view before greeting a visitor.

Features

- Concealed fixing screws into the door frame
- Any impact forces are imposed in a sheer action of the fixing screws allowing a greater resistance
- Visual unlock indicator
- Activated by a simple on/off switch

Options

- Plated finishes include: polished brass, satin chrome and bronze



Flush Bolt

Features

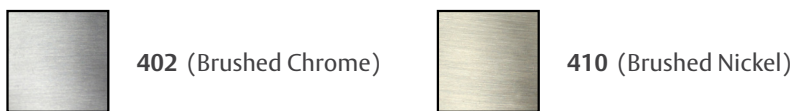
- 7 mm (1/4") diameter plated steel rod activated by a die-cast zinc body and operating lever with comfortable finger grip
- Surface-mounted model with standard width face plate, can be mounted either on the face or on the leading edge of a door stile
- Recessed model has a shorter overall length and is recessed into a door stile to give a smooth, flush appearance
- Sizes and types to suit both doors and windows



Painted & Powder Coated Finishes



PVD Finishes



Architectural Finishes



Color Disclaimer: Digital imaging cannot accurately represent final finishes, as a result actual color may vary. Not all products are available in all finishes.

Mullion - The upright bar between sashes of a window (the sill is the horizontal bar).

NF - Non-friction.

Negative Pressure - A pressure imbalance between the inside and outside of a window/door resulting in a force tending to pull the window/door off a building.

Non-handed - The ability to reverse the product or key component to suit left or right-hand installation.

Offset Tongue - Single tongue on a window fastener offset further from the base allowing for better handgrip.

Opposing Tongue - Two tongues on opposite sides of the window fastener handle, one allowing the window to be left slightly open for ventilation. Alternative to double tongue.

P Colors - A choice of the most common powdercoat colors used on ASSA ABLOY window and door hardware - Contact us for the current list.

Packer - Fills any space between the product and its installation site, when dimensions may differ.

Patio Set - A lock designed with a turn knob inside to lock the outside knob.

Pivoting Sash - Window sash with a sash arm assembly that enables it to be opened outward as in both casement and awning applications.

Powdercoat - Polyester-based coating for aluminium products providing a smooth color finish.

Pressure die-cast - When metal is forced into a mould to manufacture products requiring thinner wall sections.

Pre-treatment - Chemical process that cleans off oil, dirt and other contamination before final finish is applied, and provides corrosion protection in some cases.

Profile high/low - How far the handle of a window fastener is set from the base. Low profile is necessary when the handle must fit behind a fly screen or sliding door.

PSH - Projected Side Hung window – casement.

PTH - Projected Top Hung window – awning.

Projected Windows - Windows that open outward.

“Pull-in” Feature - ASSA ABLOY’s patented pull-in effect creates a tight weatherproof seal around the window sash.

RH - Right-hand.

Reversible Latch - The ability to reverse the bevelled side of the latch to suit a choice of left or right hand closing.

Rivet - Joins frame plate, sash plate, long arm and short arm together on a friction hinge.

S4B - Sliding 4-Bar stay.

Sash - A frame in which the panes of a window or door are set.

SBML - Slim Backset Mortice Lock.

Securturn - Removable turning mechanism for lock cylinders. Simple and secure locking option in place of a conventional key.

Security Rod - Steel rod for hinged door lock that functions as an additional locking point.

Snib - The latch that activates the locking beaks on sliding door and window systems.

Special (SPEC) - A special powdercoat Color not one of the most common Colors offered by ASSA ABLOY (P Colors).

Stay - Friction hinge – top brace and support the window sash for opening. Also known as friction hinge.

Stay Selection Matrix - A chart that indicates the most suitable stay length based on a grid matching sash weight and height.

Stile - The vertical section of a door in which the lock is housed.

Striker - Acts as a receptical for the drop bolt or latch.

Sub Fix - The fastener is fixed to the window sash from underneath the base of the fastener.

Surface Mounted - The lock is mounted on the surface of the door stile.

Top Hung Window - Awning window.

Transom - A horizontal crosspiece through the middle of a door or window.

Turn Knob - Turning mechanism that activates the door lock from the inside, a convenient locking option in place of a key.

uPVC - Unplasticised Polyvinyl Chloride. Polyvinyl Chloride is a common thermoplastic resin that is strong, lightweight, fire-resistant and durable. Used in window construction.

Vertical Sliding Window - Sash window that slides upward.

Wedge - Tongue of the window fastener lodges tightly against the wedge to ensure a tight seal between the window sash and the window frame.

Wedgeless Fastener - Has a flap (wedge) attached to the main window fastener. Upon opening the flap is automatically raised, upon closing automatically lowered.

ASSA ABLOY is the global leader in door opening solutions, dedicated to satisfying end-user needs for security, safety and convenience

INTERLOCK™
ASSA ABLOY

ASSA ABLOY

ASSA ABLOY is the global leader in door opening solutions, dedicated to satisfying end-user needs for security, safety and convenience.

ASSA ABLOY is represented in all major regions, in both mature and emerging markets, with leading positions in Australia, Europe and North America.

As the world's leading lock group, ASSA ABLOY offers a more complete product range of door opening solutions than any other company in the market.

INTERLOCK™
ASSA ABLOY

Interlock USA, Inc., an ASSA ABLOY Group company based in Reno, Nev., is one of North America's leading window and door hardware manufacturers. The original inventor of the automatic sash lock system for vinyl windows, Interlock is known for working closely with window and door manufacturers to create innovative designs that differentiate their products from the competition. Interlock's key competitive strengths as a distributor are technical support, application engineering, product management, distribution, logistics, product bundling and cross selling.

HENDERSON

Established in 1921, PC Henderson has long been acknowledged as the world leader in the design and manufacture of sliding and folding door hardware systems for residential, commercial and industrial applications. P C Henderson is part of the ASSA ABLOY Group.

securistyle

Securistyle, an ASSA ABLOY Group company based in the UK, is recognized for setting standards in hardware. Securistyle offers the expertise and product range to protect homes and businesses worldwide.

Interlock USA
1105 South Rock Blvd,
Suites 120-123
Reno, Nevada 89502
USA

interlockna.info@assaabloy.com
interlockna.com

