



INTERLOCK

ASSA ABLOY

© ASSA ABLOY, 2023

INTERLOCK USA
1105 South Rock Blvd. Suites 120-123
Reno, Nevada 89502 USA
T: 877 852 8808 F: 775 852 8867
www.interlockna.com

Multipoint Door
Hardware

INTERLOCK

ASSA ABLOY

Interlock is a product brand of ASSA ABLOY, a global hardware company with operations in 70+ countries and more than 50,000 employees. At ASSA ABLOY, our purpose is to help people experience a safer and more open world every day.

The Interlock portfolio of products features solutions for residential doors and windows. Selecting Interlock multipoint locks for your door means you are partnering with an experienced fenestration hardware supplier backed by the resources of a vast, global organization. You are also partnering with a company that believes environmental sustainability is at the core of our future success. ASSA ABLOY is taking actions now to achieve net zero emissions no later than 2050, so we can help people experience a safer and more open world for years to come.

Learn more about ASSA ABLOY's sustainability efforts at www.ASSAABLOY.com. See Interlock's full suite of solutions for sliding doors, casement windows and hung windows at www.interlockna.com.



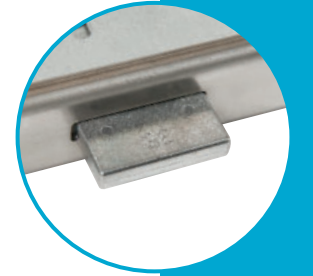
Sustainability
ASSA ABLOY



Contents

Multipoint Door Locks

2 Tongue	4
2 Hook	6
Shoot Bolt	8
Inactive	10
Single Point	12
Accessories	14
Strikes	15
Door Preparations	17



Multipoint locks with tongue bolts require less door preparation making them one of the most popular locks in the market.



2 Tongue



Non-scratch Latch Bolt



Dead Bolt

Features

- Easy installation: compact tongue bolts do not require additional prep
- 1" 304 stainless steel dead bolt
- Independent dead bolt function: the dead bolt can be extended without extending the auxiliary lock points
- Easily reversible 304 stainless steel latch bolt to minimize stock requirements
- Non-scratch latch will not damage strike finish
- 35mm and 45mm backset options
- Sprung lock case with PZ92mm center with elongated slot to accommodate a variety of trim sets
- 16mm faceplate
- Anti-slam mishandling device; prevents multiple locking points from accidentally extending and potentially damaging door frame
- Euro profile cylinder standard, US cylinder optional
- Brushed 304 stainless steel faceplate offering high corrosion resistance
- Tested to 100,000 cycles

Optional Extras

- 304 stainless steel Shoot bolt Set for additional security
- 304 stainless steel Extension Piece to increase door lock height range
- Inactive Lock range available – see page 10

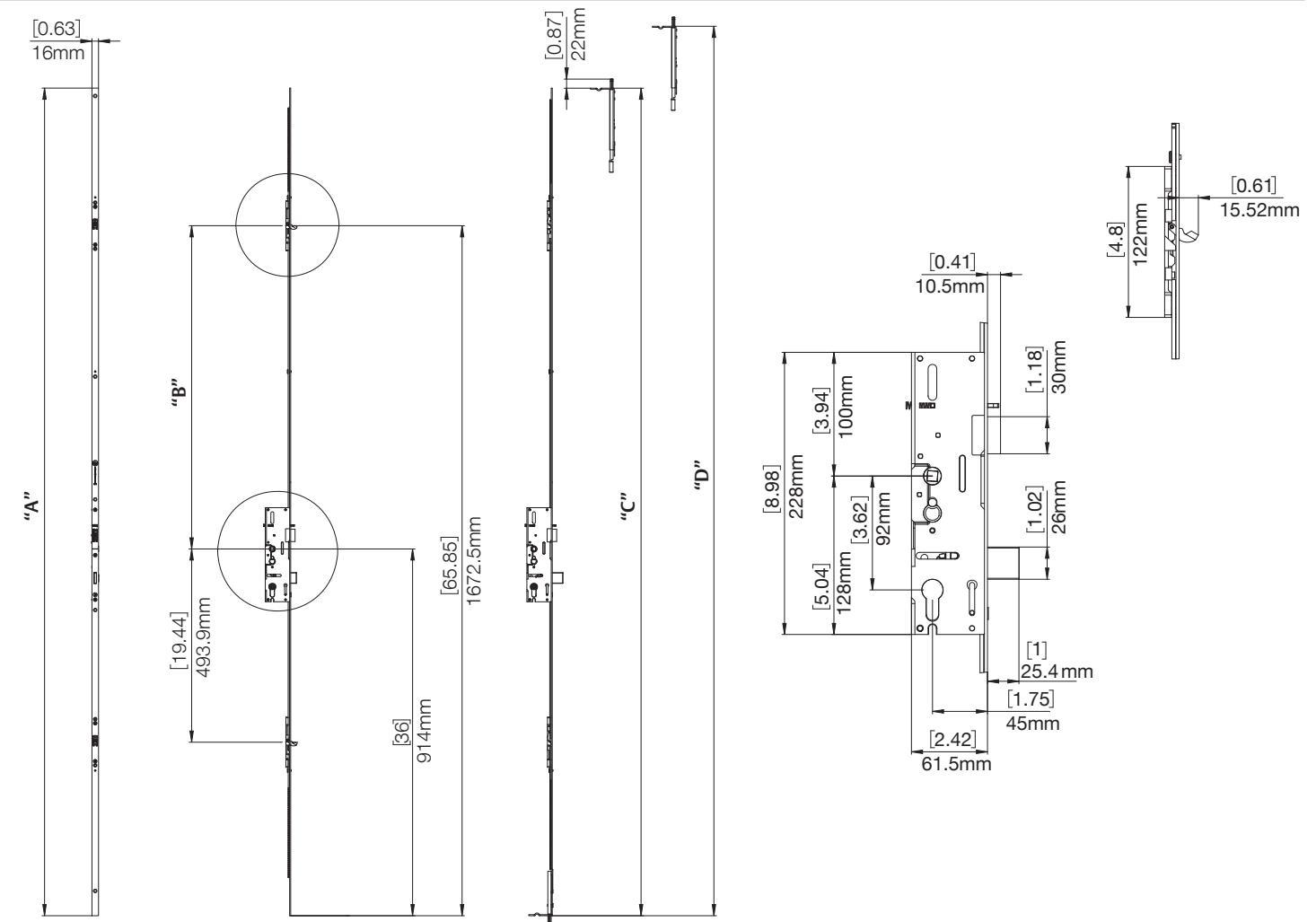
Packaging Specification

- Locks: 5 per box, 250 per crate

Material Specification:

Lock Case:	304 stainless steel
Faceplate:	Brushed 304 stainless steel
Connecting Rods:	304 stainless steel
Dead Bolt & Latch Bolt:	304 stainless steel
Tongue Bolts:	304 stainless steel
Strikes:	304 stainless steel

Product	Part Number	Backset	Dimension "A"	Dimension "B"	Dimension "C"	Dimension "D"	Box Qty
2 Tongue Lock	DL03-6351-080	35	79" 2006 mm	29.9" 758 mm	79" 2006 mm	84.9" 2156 mm	5
2 Tongue Lock	DL03-6451-080	45	79" 2006 mm	29.9" 758 mm	79" 2006 mm	84.9" 2156 mm	5
2 Tongue Lock	DL03-6351-096	35	96" 2438 mm	43.2" 1097 mm	96" 2438 mm	101.9" 2588 mm	5
2 Tongue Lock	DL03-6451-096	45	96" 2438 mm	43.2" 1097 mm	96" 2438 mm	101.9" 2588 mm	5



Dimension "C" = minimum height with shoot bolt
Dimension "D" = maximum height with shoot bolt

Note: 45mm backset with anti-slam mishandling device shown

Hook bolts offer higher load capacity making the 2 Hook multipoint lock ideal for higher performance applications.

Features

- Solid cast stainless steel hook bolts
- 1" 304 stainless steel dead bolt
- Independent dead bolt function: the dead bolt can be extended without extending the auxiliary lock points
- Easily reversible 304 stainless steel latch bolt to minimize stock requirements
- Non-scratch latch will not damage strike finish
- 35mm and 45mm backset options
- Sprung lock case with PZ92mm center with elongated slot to accommodate a variety of trim sets
- 16mm faceplate
- Anti-slam mishandling device; prevents multiple locking points from accidentally extending and potentially damaging door frame
- Euro profile cylinder standard, US cylinder optional
- Brushed 304 stainless steel faceplate offering high corrosion resistance
- Tested to 100,000 cycles

Optional Extras

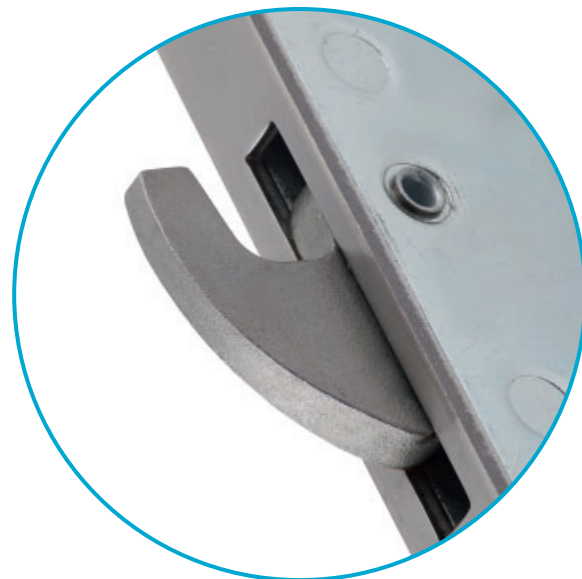
- 304 stainless steel Shoot bolt Set for additional security
- 304 stainless steel Extension Piece to increase door lock height range
- Inactive Lock range available – see page 10

Packaging Specification

- Locks: 5 per box, 250 per crate

Material Specification:

Lock Case:	304 stainless steel
Faceplate:	Brushed 304 stainless steel
Connecting Rods:	304 stainless steel
Dead Bolt & Latch Bolt:	304 stainless steel
Hooks:	304 stainless steel
Strikes:	304 stainless steel



2 Hook

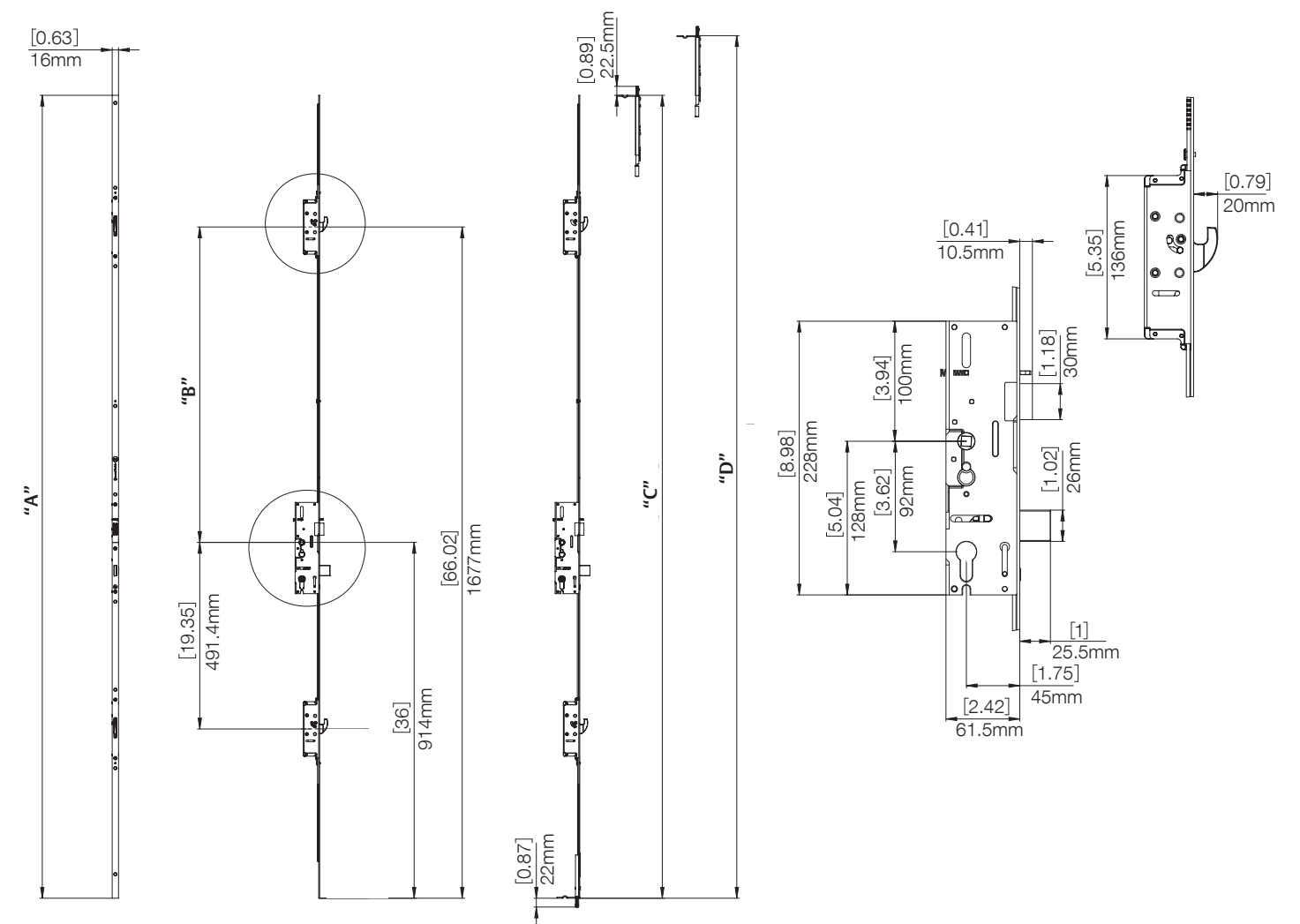


Non-scratch Latch Bolt



Dead Bolt

Product	Part Number	Backset	Dimension "A"	Dimension "B"	Dimension "C"	Dimension "D"	Box Qty
2 Hook Lock	DL03-6352-080	35	80" 2032 mm	30" 763 mm	79" 2006 mm	84.9" 2156 mm	5
2 Hook Lock	DL03-6452-080	45	80" 2032 mm	30" 763 mm	79" 2006 mm	84.9" 2156 mm	5
2 Hook Lock	DL03-6352-096	35	96" 2438 mm	43.2" 1097 mm	96" 2438 mm	101.9" 2588 mm	5
2 Hook Lock	DL03-6452-096	45	96" 2438 mm	43.2" 1097 mm	96" 2438 mm	101.9" 2588 mm	5



Dimension "C" = minimum height with shoot bolt
Dimension "D" = maximum height with shoot bolt

Note: 45mm backset, 16mm faceplate with anti-slam mishandling device shown

Interlock's tapered shoot bolts wrap around the door corner providing reinforcement and higher load capacity compared to straight shoot bolts.



Reverser Shoot Bolt



Non-scratch Latch Bolt



Standard Shoot Bolt



Extension

Features

- Pair an active shoot bolt lock with an inactive shoot bolt lock on a French door to provide four points of engagement with the frame.
- Built-in covers on the modular shoot bolts make it easier to cover and reinforce the seam between the lock
- 1" 304 stainless steel dead bolt
- Independent dead bolt function: the dead bolt can be extended without extending the auxiliary lock points
- Easily reversible 304 stainless steel latch bolt to minimize stock requirements
- Non-scratch latch will not damage strike finish
- 35mm and 45mm backset options
- Sprung lock case with PZ92mm center with elongated slot to accommodate a variety of trim sets
- 16mm faceplate
- Anti-slam mishandling device; prevents multiple locking points from accidentally extending and potentially damaging door frame
- Euro profile cylinder standard, US cylinder optional
- Brushed 304 stainless steel faceplate offering high corrosion resistance
- Tested to 100,000 cycles

Optional Extras

- 304 stainless steel Extension Piece to increase door lock height range
- Inactive Lock range available – see page 10

Packaging Specification

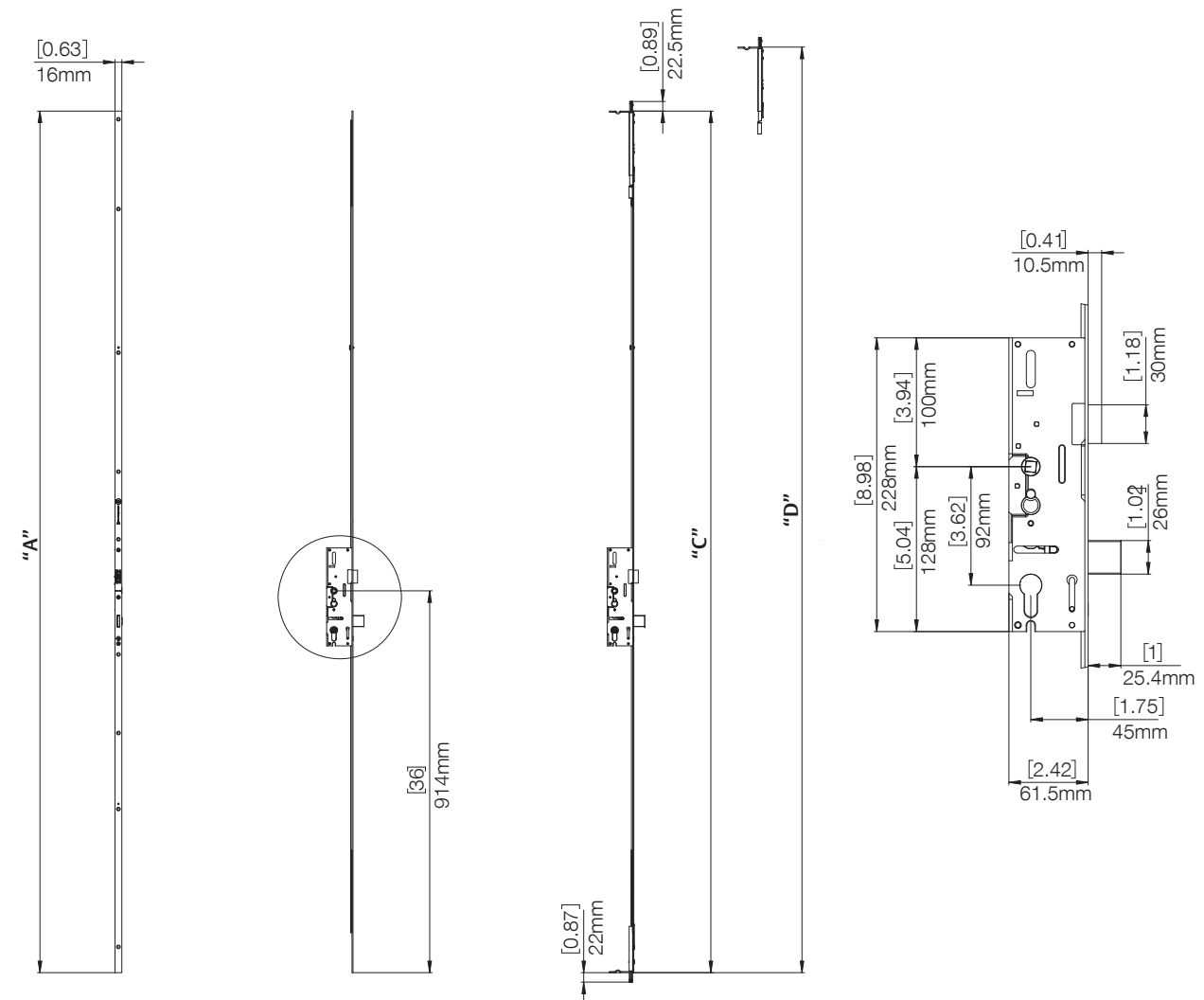
- Locks: 5 per box, 250 per crate

Material Specification:

Lock Case: 304 stainless steel
 Faceplate: Brushed 304 stainless steel
 Connecting Rods: 304 stainless steel
 Dead Bolt & Latch Bolt: 304 stainless steel
 Shoot Bolts: 304 stainless steel
 Strikes: 304 stainless steel

Product	Part Number
Reverser Shoot Bolt	DL03-6103
Standard Shoot Bolt	DL03-6113

Product	Part Number	Backset	Dimension "A"	Dimension "C"	Dimension "D"	Box Qty
Shoot Bolt Lock	DL03-6353-080	35	80" 2032 mm	79" 2006 mm	84.9" 2156 mm	5
Shoot Bolt Lock	DL03-6453-080	45	80" 2032 mm	79" 2006 mm	84.9" 2156 mm	5
Shoot Bolt Lock	DL03-6353-096	35	96" 2438 mm	96" 2438 mm	101.9" 2588 mm	5
Shoot Bolt Lock	DL03-6453-096	45	96" 2438 mm	96" 2438 mm	101.9" 2588 mm	5



Dimension "C" = minimum height with shoot bolt
 Dimension "D" = maximum height with shoot bolt

Note: 45mm backset, 16mm faceplate with anti-slam mishandling device shown

Inactive locks feature shoot bolts that wrap around the corner of the door providing reinforcement and higher load capacity compared to straight shoot bolts.



Reverser Shoot Bolt



Standard Shoot Bolt



Extension

Features

- Built-in covers on the modular shoot bolts make it easier to cover and reinforce the seam between the lock
- 35mm and 45mm backset options
- Sprung lock case with PZ92mm center with elongated slot to accommodate a variety of trim sets
- 16mm faceplate
- Euro profile cylinder standard, US cylinder optional
- Brushed 304 stainless steel faceplate offering high corrosion resistance
- Tested to 100,000 cycles

Optional Extras

- 304 stainless steel Extension Piece to increase door lock height range

Packaging Specification

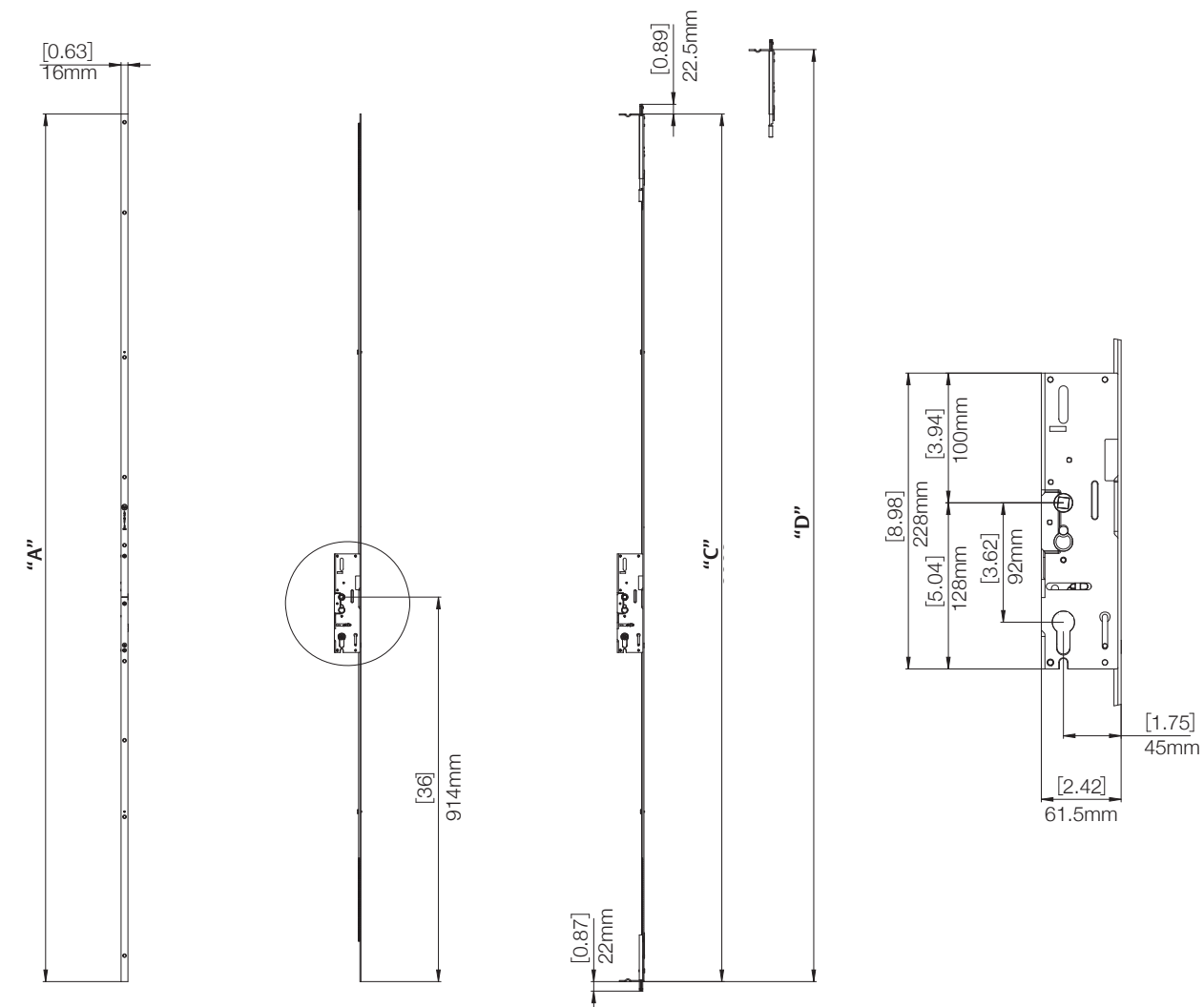
- Locks: 5 per box, 250 per crate

Material Specification:

Lock Case:	304 stainless steel
Faceplate:	Brushed 304 stainless steel
Connecting Rods:	304 stainless steel
Dead Bolt & Latch Bolt:	304 stainless steel
Shoot Bolts:	304 stainless steel
Strikes:	304 stainless steel

Product	Part Number
Reverser Shoot Bolt	DL03-6103
Standard Shoot Bolt	DL03-6113

Product	Part Number	Backset	Dimension "A"	Dimension "C"	Dimension "D"	Box Qty
Inactive Shoot Bolt Lock	DL03-6354-080	35	80" 2032 mm	79" 2006 mm	84.9" 2156 mm	5
Inactive Shoot Bolt Lock	DL03-6454-080	45	80" 2032 mm	79" 2006 mm	84.9" 2156 mm	5
Inactive Shoot Bolt Lock	DL03-6354-096	35	96" 2438 mm	96" 2438 mm	101.9" 2588 mm	5
Inactive Shoot Bolt Lock	DL03-6454-096	45	96" 2438 mm	96" 2438 mm	101.9" 2588 mm	5



Dimension "C" = minimum height with shoot bolt
Dimension "D" = maximum height with shoot bolt

Note: 45mm backset, 16mm faceplate shown

The single point lock, a straightforward alternative to a multipoint lock solution.

Product	Part Number	Backset	Box Quantity
Single Point Lock	DL03-6350	35	5
Single Point Lock	DL03-6450	45	5



Single Point Lock

Features

- Independent dead bolt function: the dead bolt can be extended without extending the auxiliary lock points
- Easily reversible 304 stainless steel latch bolt to minimize stock requirements
- Non-scratch latch will not damage strike finish
- 35mm and 45mm backset options
- Sprung lock case with PZ92mm center with elongated slot to accommodate a variety of trim sets
- 16mm faceplate
- Euro profile cylinder standard, US cylinder optional
- Brushed 304 stainless steel faceplate offering high corrosion resistance
- Tested to 100,000 cycles

Optional Extra

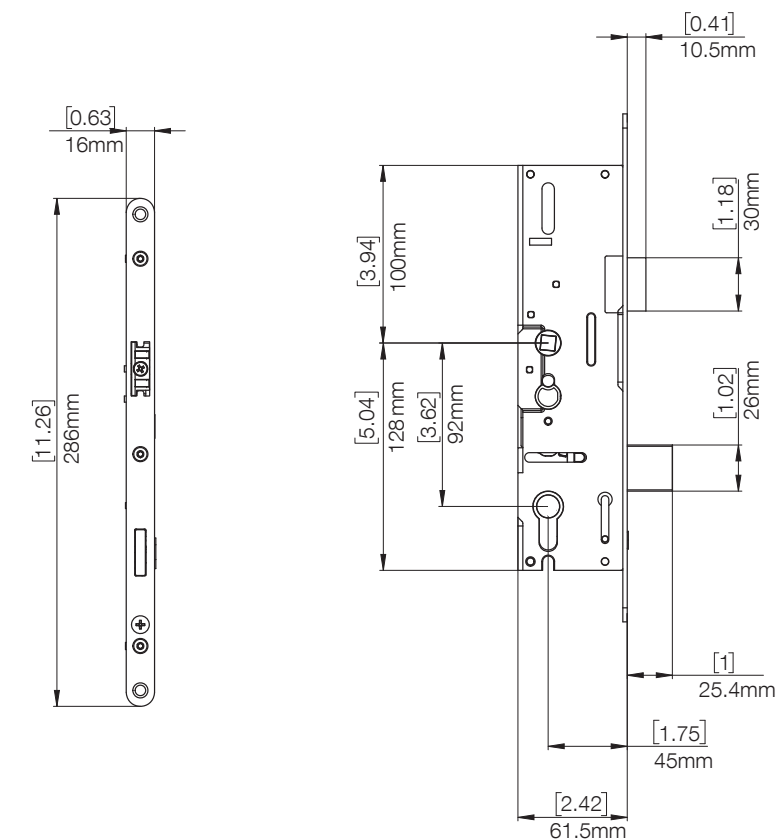
- Inactive Lock range available – see page 10

Packaging Specification

- Locks: 5 per box, 250 per crate

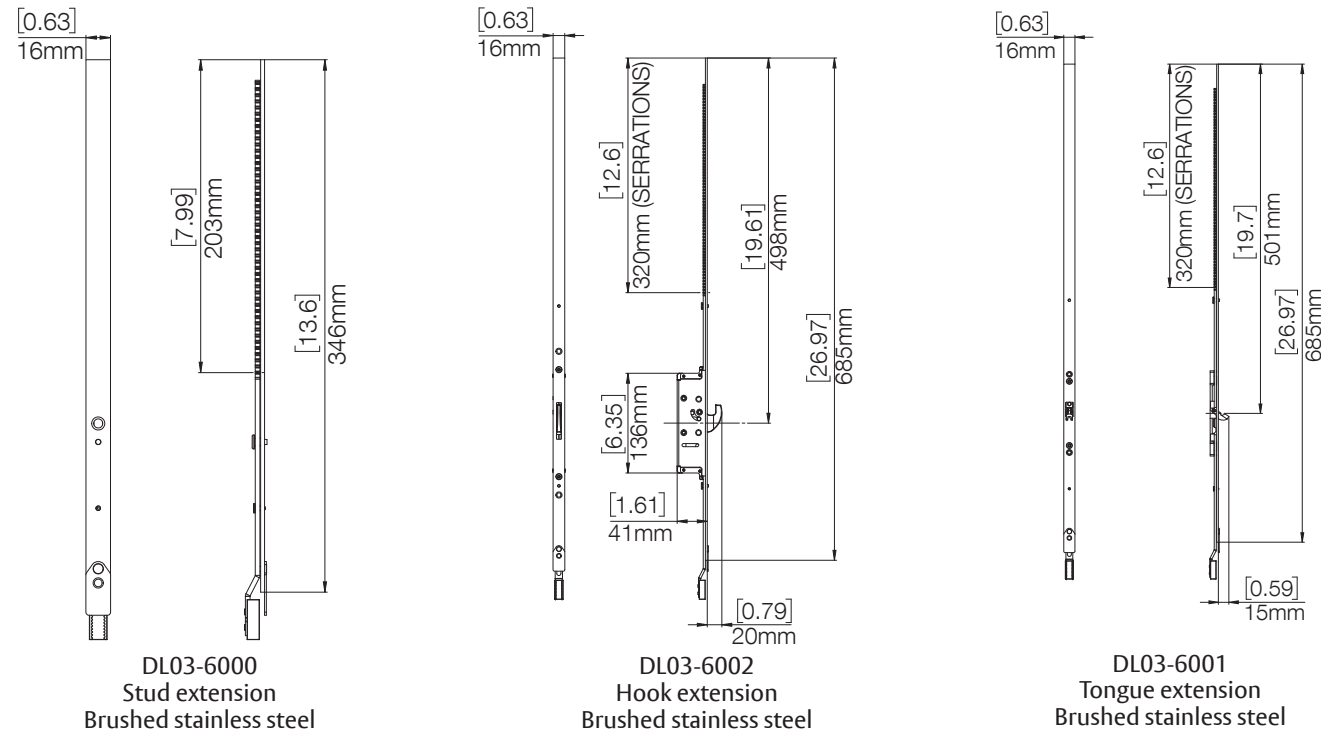
Material Specification:

Lock Case: 304 stainless steel
 Faceplate: Brushed 304 stainless steel
 Dead Bolt & Latch Bolt: 304 stainless steel
 Strikes: 304 stainless steel

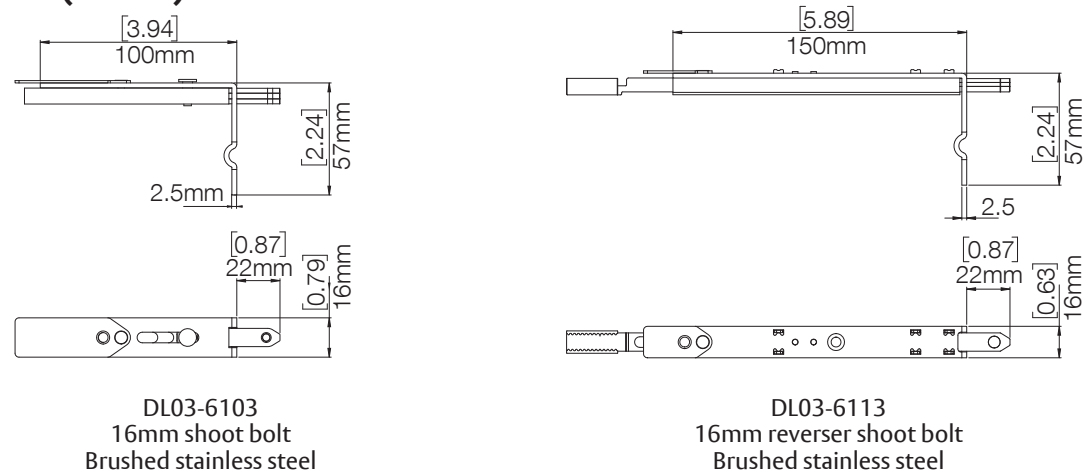


Note: 45mm backset, 16mm faceplate shown

16mm (0.63") Extension Piece:



16mm (0.63") Shoot Bolt:

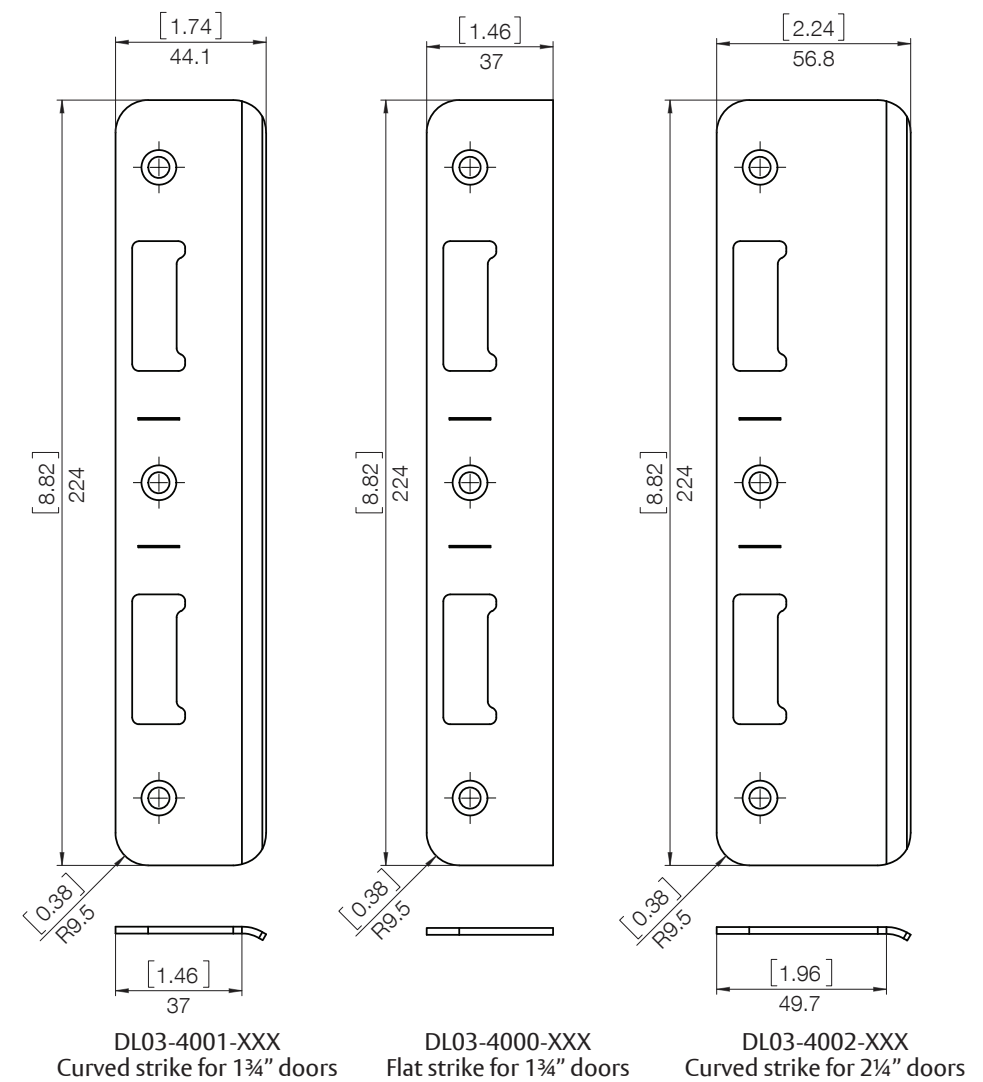


Latch Strike Plates:

Features

- Hash marks define vertical alignment to lock
- Bottom mounting hole is also the cylinder screw hole when used on French doors
- Compatible with ANSI #8, #10 and M5 screws

Code	Finish
-565	Brushed Stainless
-00B	Matte Black
-065	ORB



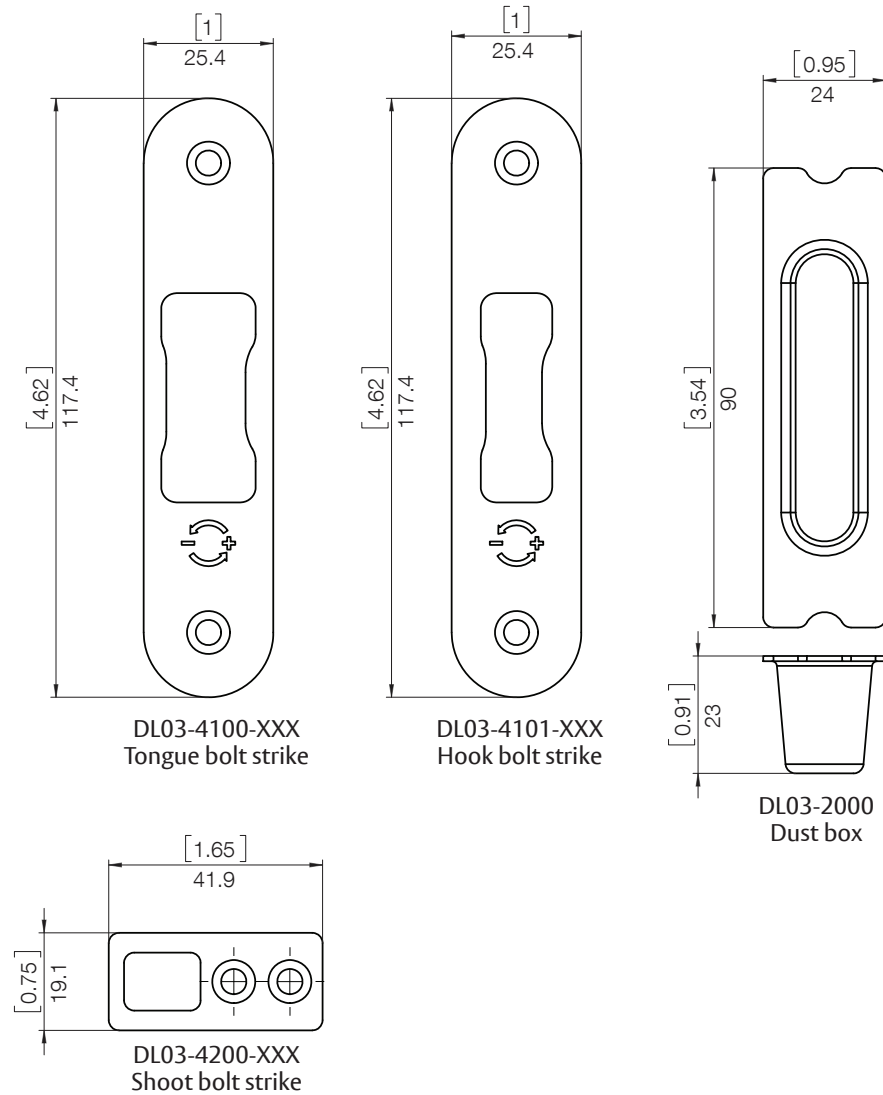
Note: -XXX denotes finish code

Lock Point Strikes:

Features

- Rotate tongue bolt and hook bolt strikes 180° for compression adjustment
- Strikes designed for ANSI #8 screws

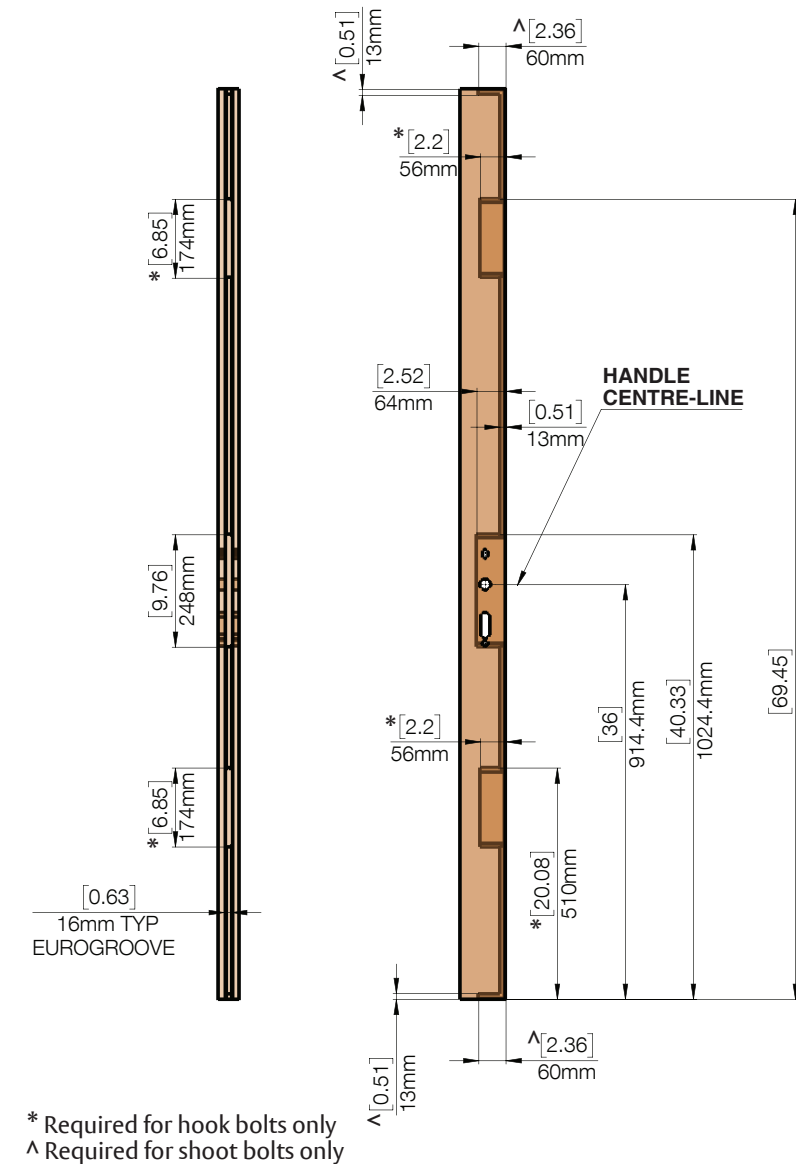
Code	Finish
-565	Brushed Stainless
-00B	Matte Black
-065	ORB



Note: Dust box is used with lock point strikes and latch strikes
-XXX denotes finish code

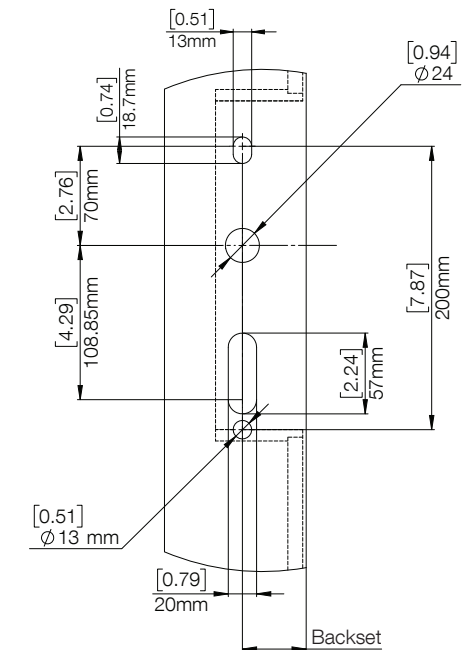
Lock Preparation:

Part Number	Dimension "A"
DL03-6352-080	69.45" 1764 mm
DL03-6452-080	69.45" 1764 mm
DL03-6352-096	82.6" 2098 mm
DL03-6452-096	82.6" 2098 mm



* Required for hook bolts only
^ Required for shoot bolts only

Handle Preparation:



Glossary

Active Lock:

A lock for a single door panel or the primary panel of a French door. An active lock features a latch bolt and dead bolt.

Backset:

Measurement from front face of lock to the center of the cylinder.

Cylinder:

Mechanical locking device added to lock case. Used with key/thumbturn to lock a multipoint lock.

Dead Bolt:

A bolt that moves in and out of the door frame to secure the door closed.

Extension:

Section of faceplate that can be added to end of existing door lock to increase the overall height of a door.

Faceplate:

Metal piece that runs down the edge of the door.

Handle Height:

Measurement from bottom of lock to center of handle spindle hole.

Hook Bolt:

A bolt with an additional projection that interlocks into the strike providing security in more than one direction.

Inactive Lock:

Multipoint lock with shoot bolts only locking into the frame.

Latch Bolt:

The catch on the door; can be reversed to change door opening.

Lock Case:

The main body of the multipoint gear.

Mishandling Device:

Anti-Slam mishandling device; prevents multiple locking points from accidentally extending and potentially damaging door frame.

Non-sequential Function:

Independent locking of multipoint without the need to lift the door handle.

Shoot Bolt:

Section of faceplate with return that can be added to ends of existing door lock to offer additional security into the frame.

Spindle:

Length of square steel bar which connects two door handles together on either side of a door.

Strike:

Rigid plates that receive locking points securing the door panel to the frame.

Throw:

Measurement of the travel of a locking point from faceplate to end of locking feature.

Tongue Bolt:

Locking point that secures the door into the frame.

